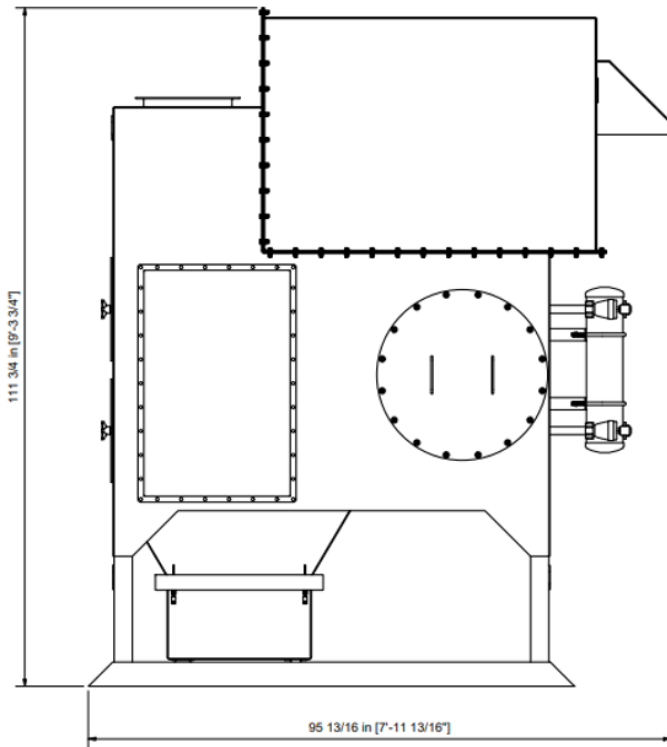
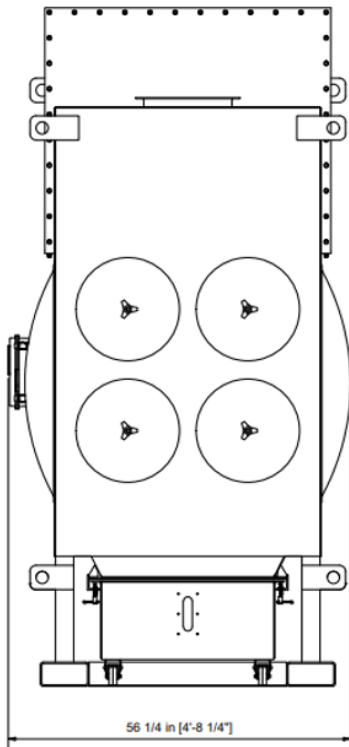
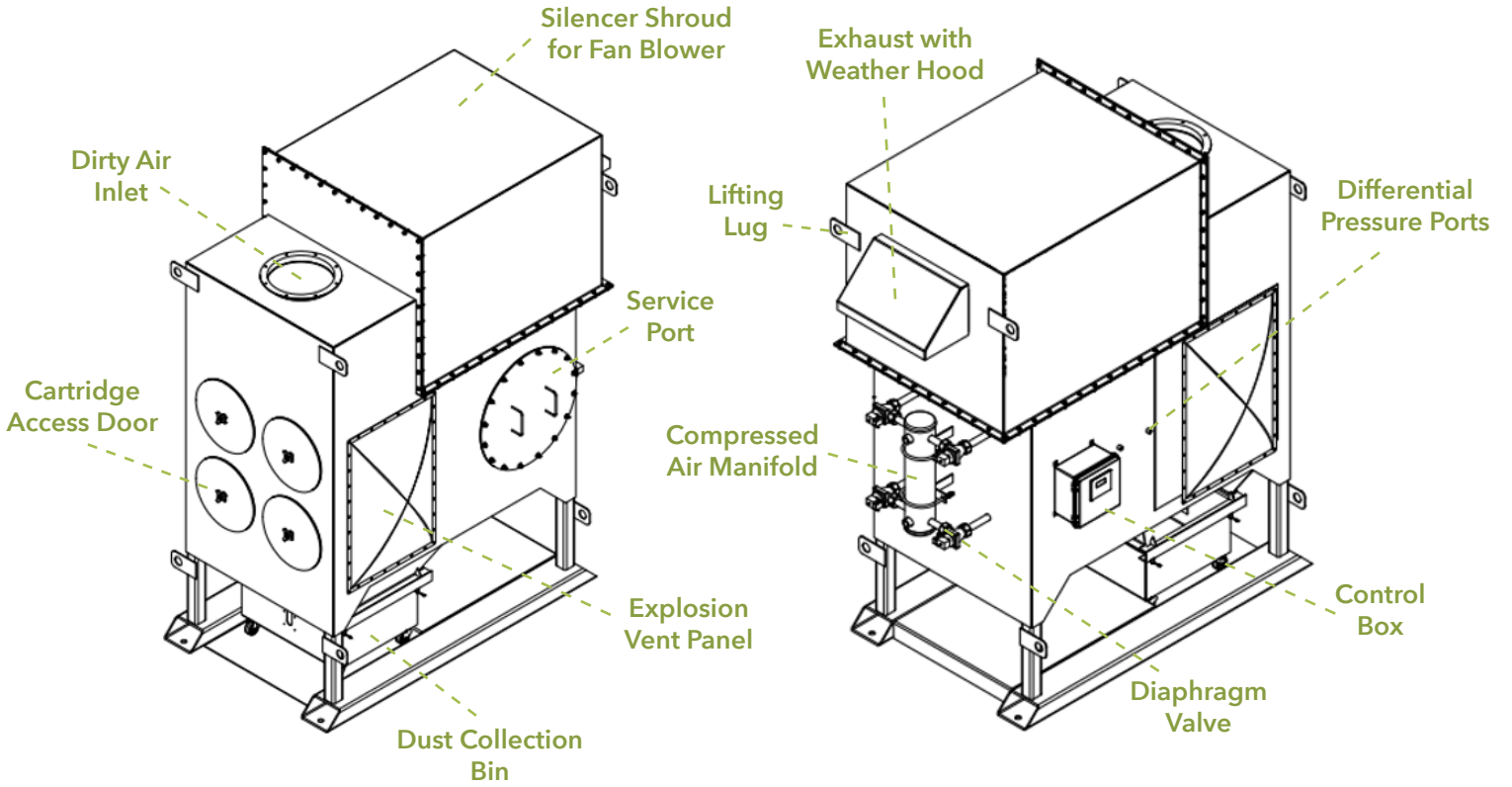


TECHNICAL DATASHEET

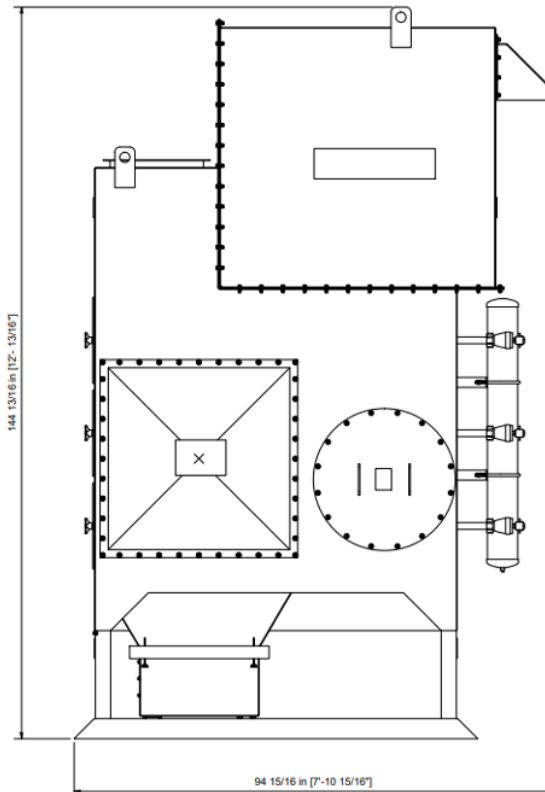
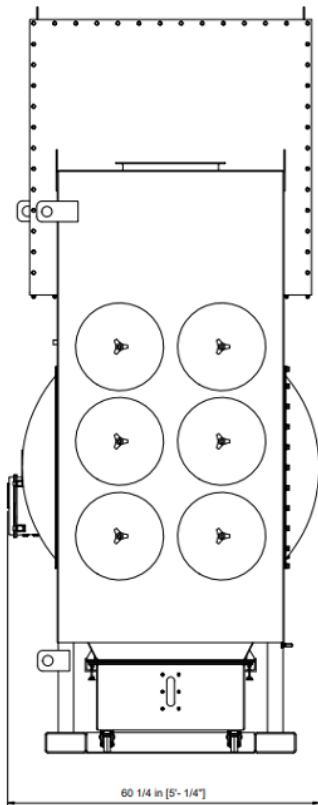
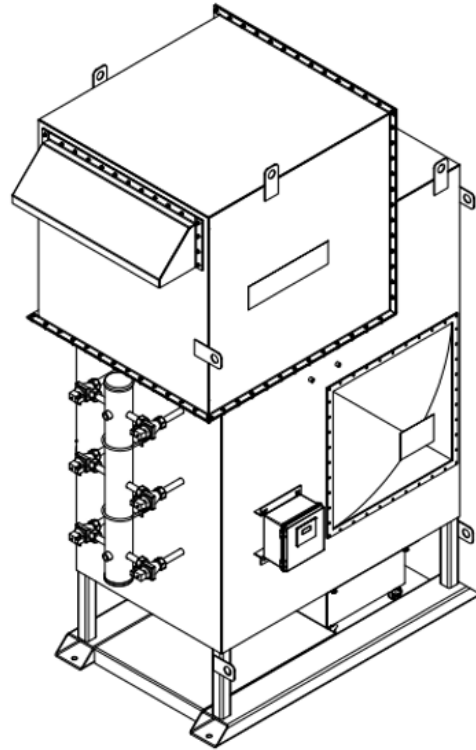
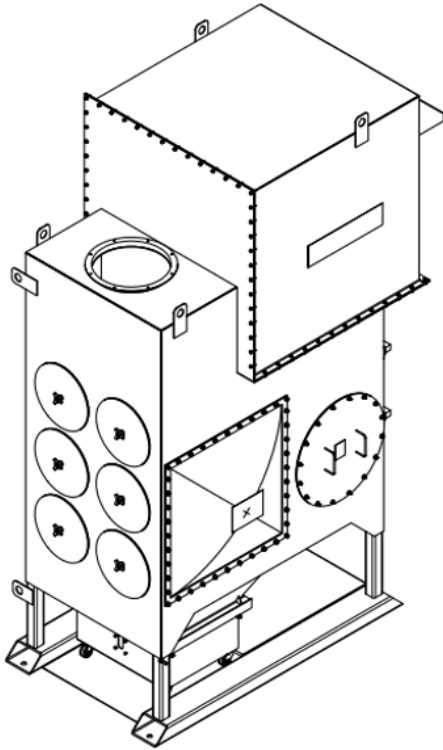
Flex-Kleen iSeries Cartridge Dust Collector



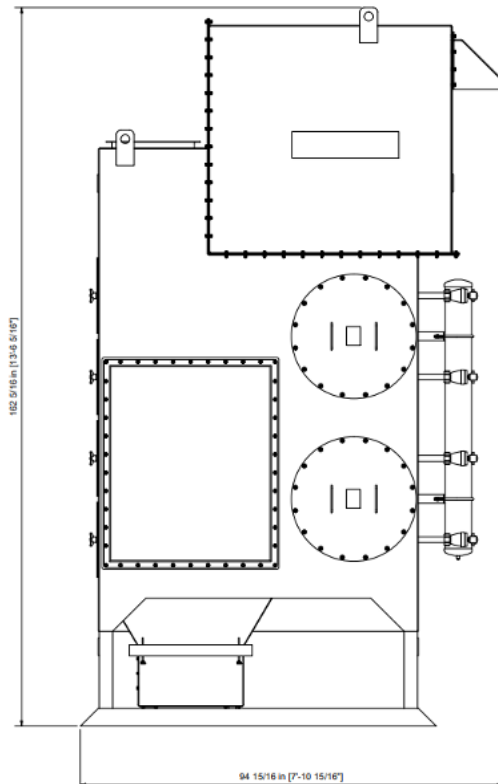
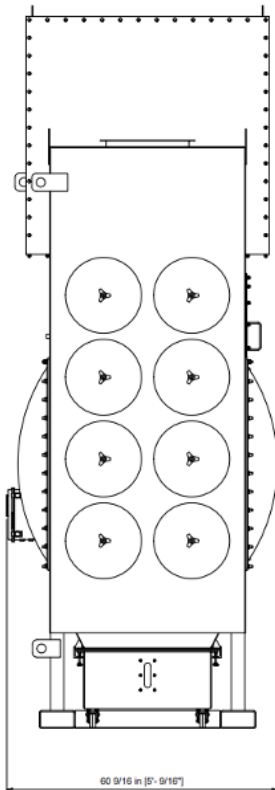
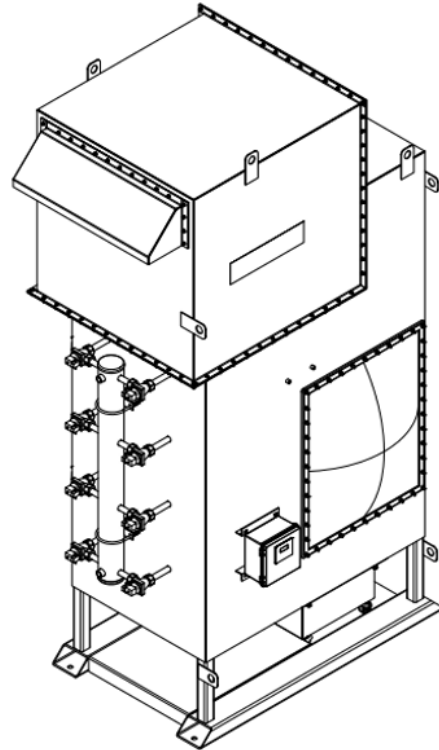
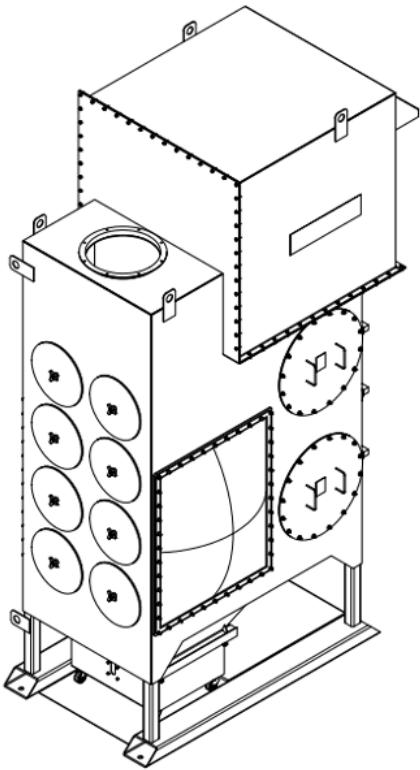
i4 MODEL



i6 MODEL



i8 MODEL



Design Limits

Operating Temperature: 32 deg. F to 150 deg. F
 Max. Operating Pressure = +/- 2.27 psig.
 Finish: Alkyd Enamel, RAL 9007, Gray Aluminum.

- Weights include filter cartridges and are for units before use.
- Excludes fan motor weight and dust disposal system.

Dust Collector Weights

iSeries Model	Weight (lbs.)
i4	2750
i6	3750
i8	4750

Fan Details

Dust Collector Model	Fan Motor HP	Motor
i4	10	460V 3Ph 60Hz
i6	15	460V 3Ph 60Hz
i8	20	460V 3Ph 60Hz

Airflow Details

Dust Collector Model	Max Airflow (cfm)
i4	2820
i6	4230
i8	5640

Electrical Requirements

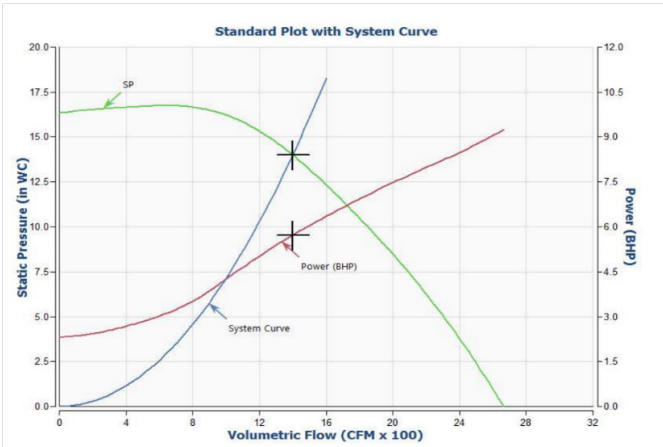
Fully Automatic Cleaning Mechanism:	GTX4 timer board with IoT functionality
Pulse Interval Time:	3-600 Sec.
Valve Opening Time:	50-1000 mSec.
Control Box Protection Class:	IP 67 to keep out dust and water under extreme conditions. Meets NEMA 6.
Input Voltage:	110-230 VAC, 1 Ph, 50-60 Hz

Compressed Air Requirements

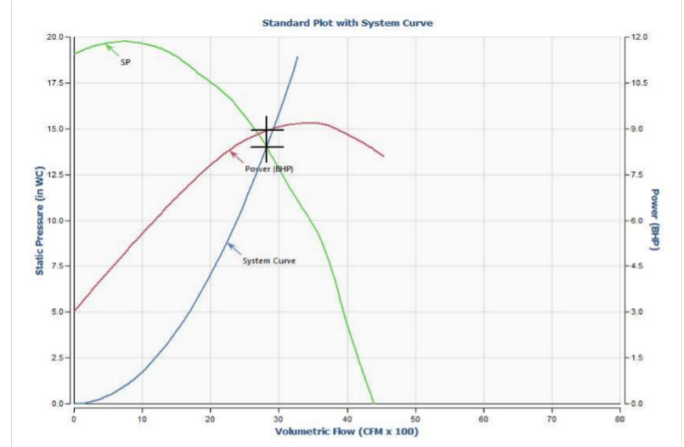
Compressed air requirements @ 80 - 100 psig = 14.4 scfm (based on program timer settings of 0.10 seconds "On-time" and 15 seconds "Off-time"). Air to be free of particulate matter and free of condensate at working temperature.

Noise Level = 80 dB

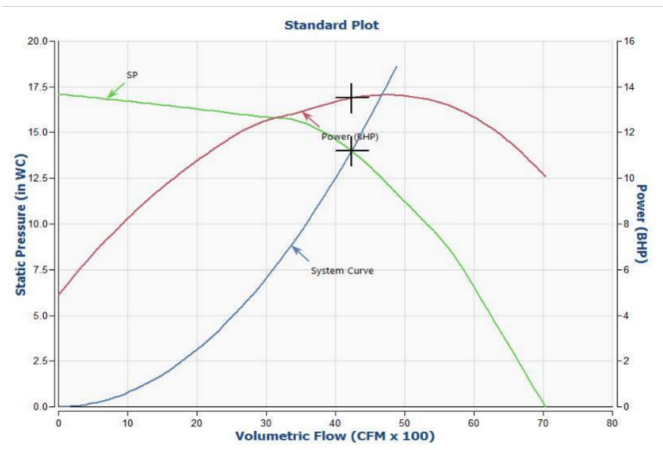
i2 Fan Curve



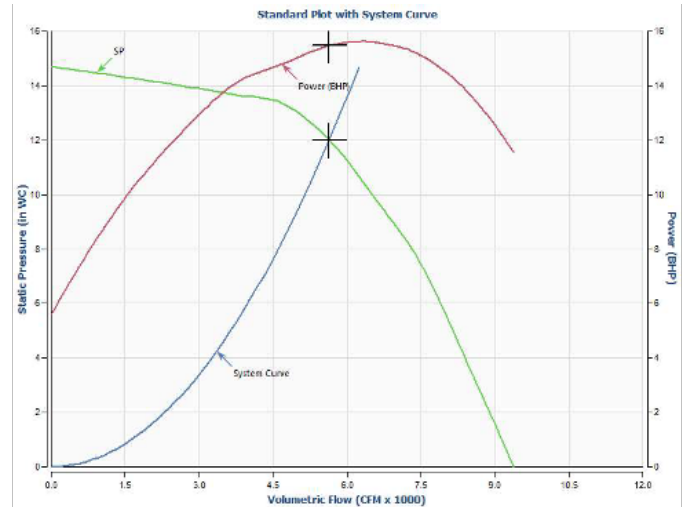
i4 Fan Curve



i6 Fan Curve



i8 Fan Curve



Fan Selection

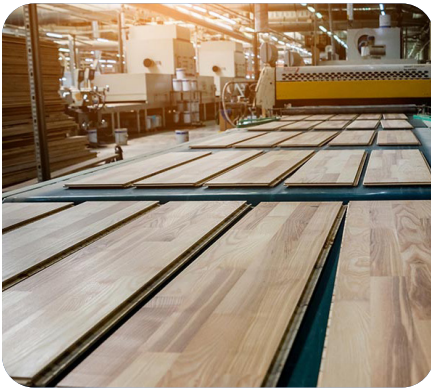
These curves indicate static pressure available at fan inlet when attached to a collector.

1. Determine the air volume in cfm, needed to entrain the dust.
2. Estimate pressure drop through connected system.
3. Assess pressure drop over dust collector near the end of filter life (usually 4 in. w.g.).
4. The sum of 2 and 3 = static pressure at inlet.
5. Consult graph for fan performance available.

ABOUT US

Founded in 1959, Flex-Kleen is part of CECO Environmental and is one of the world's leading suppliers of dry dust collector systems. Flex-Kleen's extensive experience and knowledge is incorporated into every dust collector, resulting in the highest reliability, performance and quality.

CECO ENVIRONMENTAL (NASDAQ: CECO) is a leading environmentally focused, diversified industrial company whose solutions protect people, the environment and industrial equipment across the globe, serving a broad landscape of industrial air, industrial water and energy transition markets.



CECO Environmental

For further information:

Visit cecoenviro.com

Email info@OneCeco.com

Legal Disclaimer: FOR INDUSTRIAL USE ONLY.

All technical information and advice given here are based on Flex-Kleen's previous experiences and/or test results. Flex-Kleen gives this information to the best of its knowledge but assumes no legal responsibility. Many factors beyond Flex-Kleen's control and uniquely within user's knowledge and control can affect the use and performance of a Flex-Kleen product in a particular application. As a result, user is solely responsible for evaluating the product and determining whether it is appropriate and suitable for user's application, including conducting a workplace hazard assessment and reviewing all applicable regulations and standards. Failure to properly evaluate, select, and use a Flex-Kleen product and appropriate safety products, or to meet all applicable safety regulations, may result in injury, sickness, death, and/or harm to property.

The above information is not to be used for specification purposes. All products, product specifications, availability and data are subject to change without notice, and may vary by region or country. Flex-Kleen's terms and conditions of sale apply to the sale of the products by Flex-Kleen.