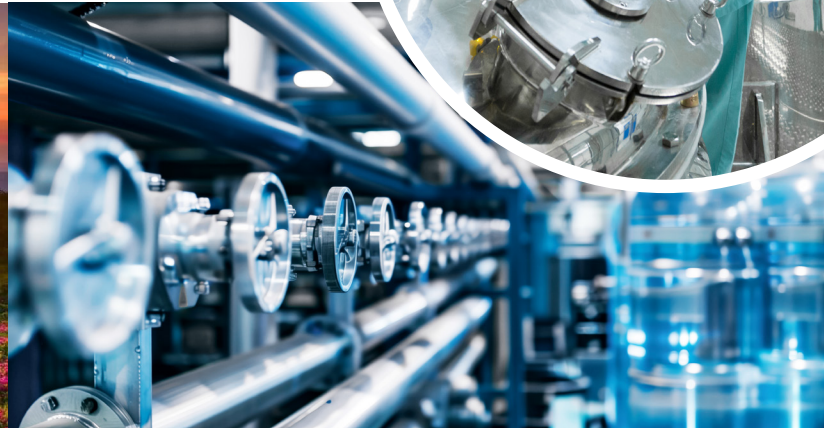


# Flex-Kleen iSeries Cartridge Dust Collector

Performance Meets Quality and Value



Flex-Kleen helps you reduce your total cost of ownership for dust containment solutions including explosive, non-explosive or other dust fume extraction requirements. We partner with our customers throughout the lifecycle on design, fabrication and installation through to start up and commissioning. Once your system is up and running, we provide support services over the life of your system.



**Dust Collectors are used in an array of industrial processing applications such as:**

- Chemicals
- Woodworking
- Composites
- Plastics
- Pharmaceutical
- Metal Processing
- Mining & Minerals
- Carbon Black
- Electronics
- Food & Beverage





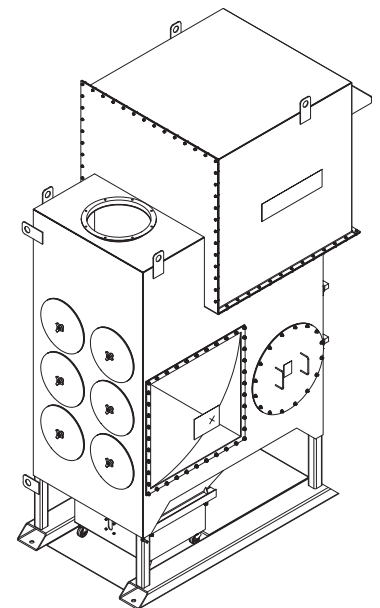
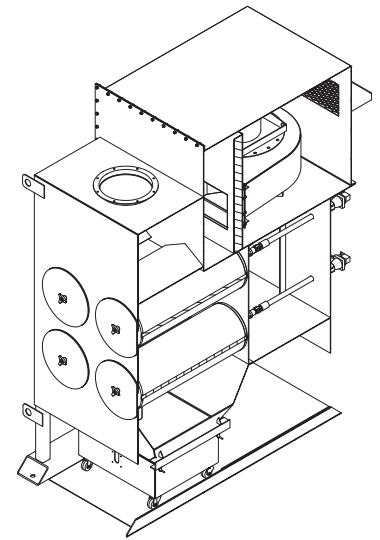
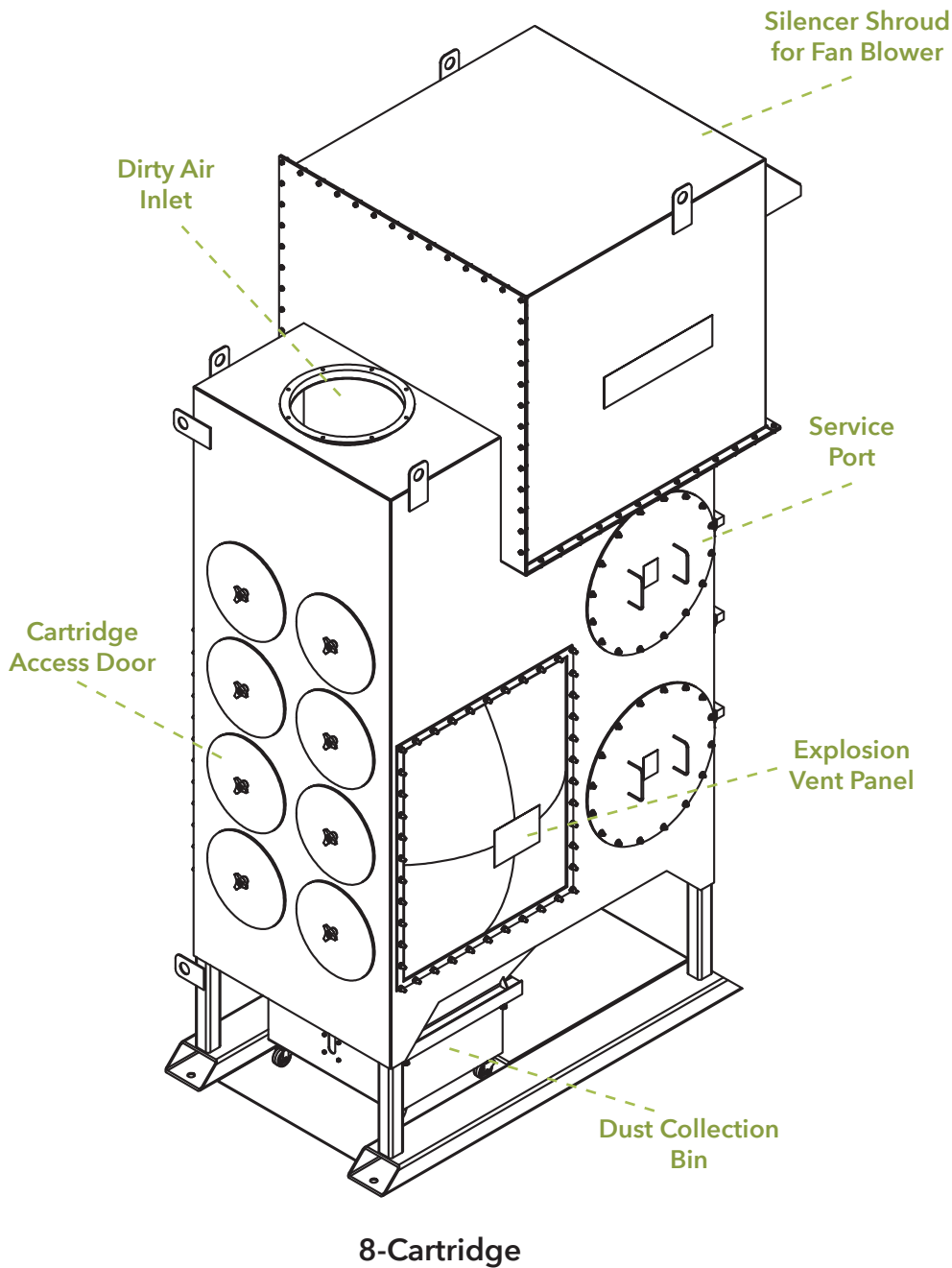
## Flex-Kleen iSeries Performance Meets Quality and Value

Flex-Kleen iSeries Cartridge Dust Collectors are compact, heavy duty and cost-effective solutions for your dust and fume extraction needs. They can be supplied as a true 'plug and play' solution for handling a wide range of airflows and contaminants.

All key elements of the iSeries units are integral, for easy installation and commissioning. They are rated for up to KST400 and NFPA 68 standards to handle a wide range of dusts in various applications and are available in standard configurations for fast shipment.

Standard Features	Design Advantages
Integral Fan and Acoustic Enclosure Explosion Vent Panels	Low noise, rating up to KST 400 ST3 combustible dusts. Fully NFPA compliant.
Compact and Versatile Design	Four, six or eight filter configurations can be combined to meet current and future flow rate needs.
Structurally Reinforced Unit	Extra stiffening to accept range of explosion venting options.
Horizontal Filter Configuration	Faster, tool-less filter change-outs vs. vertical filter designs equals savings in time and money.
High Flow Filter Cartridges with Low Pressure Drop	Less frequent pulsing and replacement of cartridges.
Maintenance Access	All critical areas of unit fitted with full maintenance access panels for ease of maintenance.
Flex-Kleen Reverse Jet Pulse Cleaning Technology	Fully connected IoT solution and differential pressure control for better pressure drop monitoring.
Fast Shipment	Standard configuration units ready to ship in five business days.
Paint Finish	Durable RAL 9007 (Aluminum Gray) color coating.

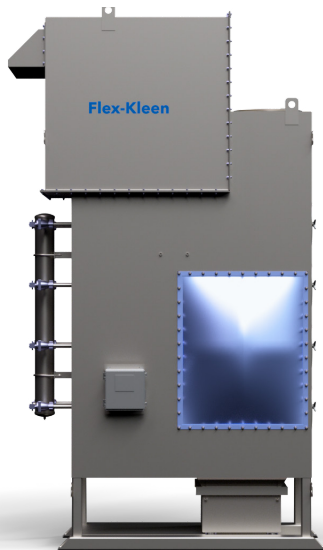
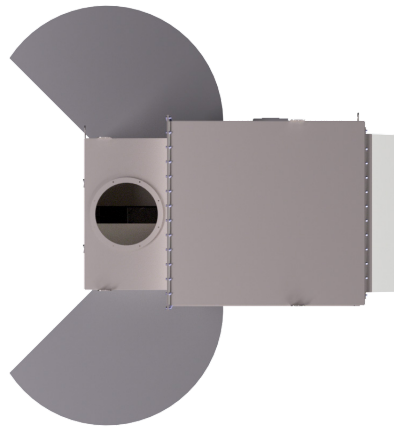
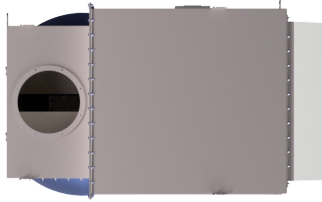
# iSERIES 4,6 AND 8 CARTRIDGE UNITS



## Options

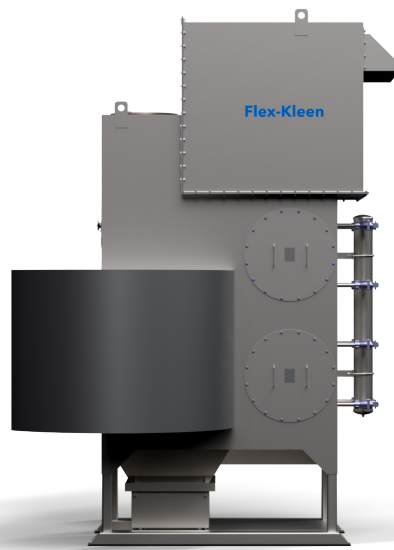
- Wide range of filtration medias available including spun bond polyester, anti-static spun bond polyester, nanoweb and PTFE Teflon coated membrane media.
- Flameless vents and deflector plates available.

# iSERIES 4,6 AND 8 CARTRIDGE UNITS



## OPTION A

St 3  
 $K_{st} \leq 400 \text{ bar}\cdot\text{m/s}$   
 $P_{max} \leq 12 \text{ bar}$



## OPTION B

St 2  
 $K_{st} \leq 200 \text{ bar}\cdot\text{m/s}$   
 $P_{max} \leq 10 \text{ bar}$



## OPTION C

Non-Explosive Dust

### Inteliair Control System:

- Intelligent airflow control system that provides 40% or greater energy savings.

# ABOUT US

Founded in 1959, Flex-Kleen is part of CECO Environmental and is one of the world's leading suppliers of dry dust collector systems. Flex-Kleen's extensive experience and knowledge is incorporated into every dust collector, resulting in the highest reliability, performance and quality.

CECO ENVIRONMENTAL (NASDAQ: CECO) is a leading environmentally focused, diversified industrial company whose solutions protect people, the environment and industrial equipment across the globe, serving a broad landscape of industrial air, industrial water and energy transition markets.



## CECO Environmental

*For further information:*

Visit [cecoenviro.com](http://cecoenviro.com)

Email [info@OneCeco.com](mailto:info@OneCeco.com)

### Legal Disclaimer: FOR INDUSTRIAL USE ONLY.

All technical information and advice given here are based on Flex-Kleen's previous experiences and/or test results. Flex-Kleen gives this information to the best of its knowledge but assumes no legal responsibility. Many factors beyond Flex-Kleen's control and uniquely within user's knowledge and control can affect the use and performance of a Flex-Kleen product in a particular application. As a result, user is solely responsible for evaluating the product and determining whether it is appropriate and suitable for user's application, including conducting a workplace hazard assessment and reviewing all applicable regulations and standards. Failure to properly evaluate, select, and use a Flex-Kleen product and appropriate safety products, or to meet all applicable safety regulations, may result in injury, sickness, death, and/or harm to property.

The above information is not to be used for specification purposes. All products, product specifications, availability and data are subject to change without notice, and may vary by region or country. Flex-Kleen's terms and conditions of sale apply to the sale of the products by Flex-Kleen.