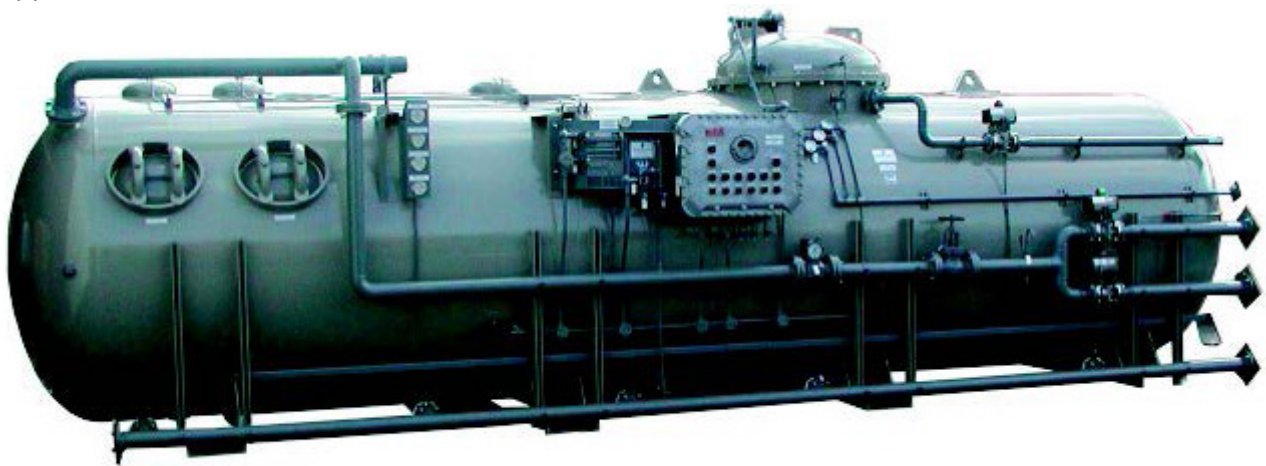


OILY WATER TREATMENT



CRP-SEP® SERIES OILY WATER SEPARATORS

CRP-SEP® Series Oily Water Separators are a progressive single-stage, horizontal separator designed to efficiently remove nonsoluble oils, solids and entrained air from PRODUCED WATER and SLOP WATER with capacities up to 100 m³/h (440 GPM). CRP-SEP® delivers effluent with less than 15 ppm of oil. When environmental regulations require less than 5 ppm discharge, SPIR-O-LATOR® Membranes can be added as a second phase to guarantee less than 5 ppm of oil.



BENEFITS

- Rugged construction provides years of service
- Single heavy duty horizontal process vessel
- NEMA 4X ratings for installation in hazardous areas
- Integral low shear positive displacement feed pump
- Continuous discharge with less than 15ppm oil content
- Optional Fluorescence Oil Content Monitors
- Integrated Control and Safety System

OPTIONS

- Fluorescence Oil in Water Monitor
- SPIR-O-LATOR® Membrane 5PPM Polisher
- IEC Ex, ATEX, or Zone 1 Hazardous Area Installation
- Dual Feed Pump / Motor Assemblies
- NR-13 Certifications (Other Brazilian NR standards available)

MEETS REQUIREMENTS OF ALL MAJOR OFF SHORE AUTHORITIES:

- Institute Brazil Medio Ambiente (IBAMA)/CONAMA
- International Commission for Off shore
- HELCOM 1974
- PARCOM 1988 & OSPAR Convention 1992
- United Nations Environmental Program (UNEP)
- Barcelona Convention 1976
- Black Sea Convention
- KUWAIT Convention 1979
- United States 40CFR 435 – CLEAN WATER ACT

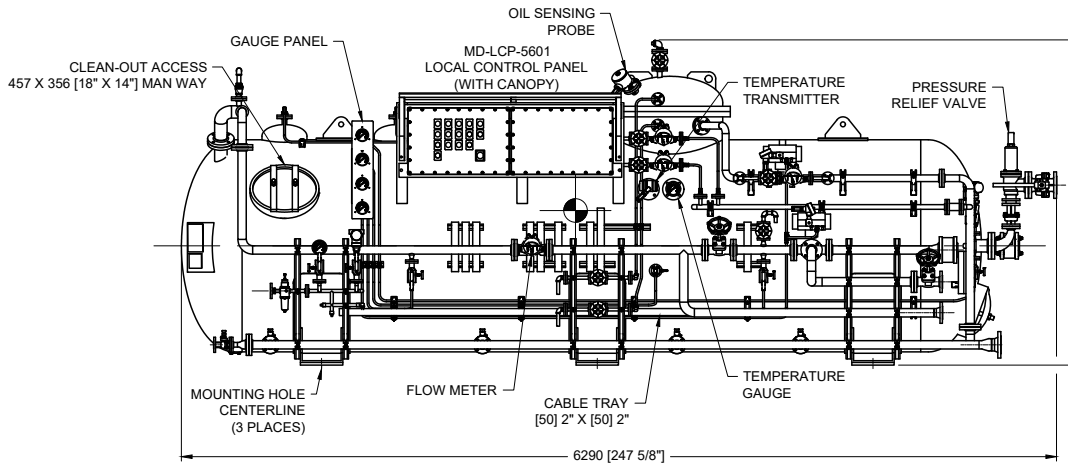
BILGE WATER SEPARATORS



CRP-SEP® SERIES

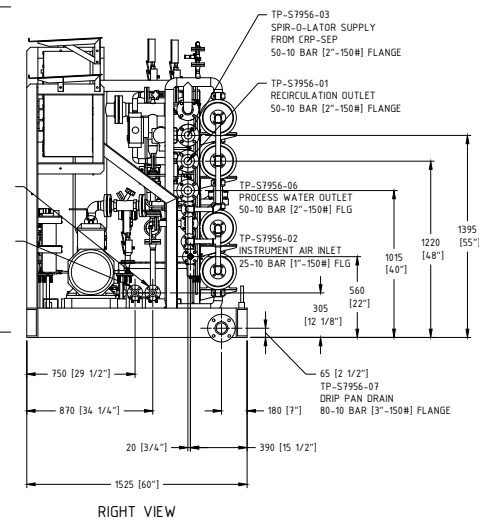
Model No.	Throughput m ³ /h(gpm)	Length* mm (in)	Width* mm (in)	Height* mm (in)	Weight*/Dry kg (lbs)	Weight*/Wet kg (lbs)
27025	25 (110)	6150 (242)	2060 (81)	2390 (94)	3318 (7300)	18,159 (39,950)
27030	30 (132)	6150 (242)	2060 (81)	2390 (94)	3318 (7300)	18,159 (39,950)
27050	50 (220)	7980 (314)	2060 (81)	2390 (94)	3709 (8160)	22,986 (50,570)
27060	60 (265)	8580 (338)	2060 (81)	2390 (94)	3891 (8560)	24,588 (54,094)
27075	75 (330)	10,415 (410)	2110 (83)	2390 (94)	5528 (12,150)	30,205 (66,450)
27100	100 (440)	11,125 (438)	2425 (96)	2665 (105)	5530 (12,160)	34,710 (76,360)

CRP-SEP® SERIES



FRONT VIEW

SPIR-O-LATOR®



RIGHT VIEW