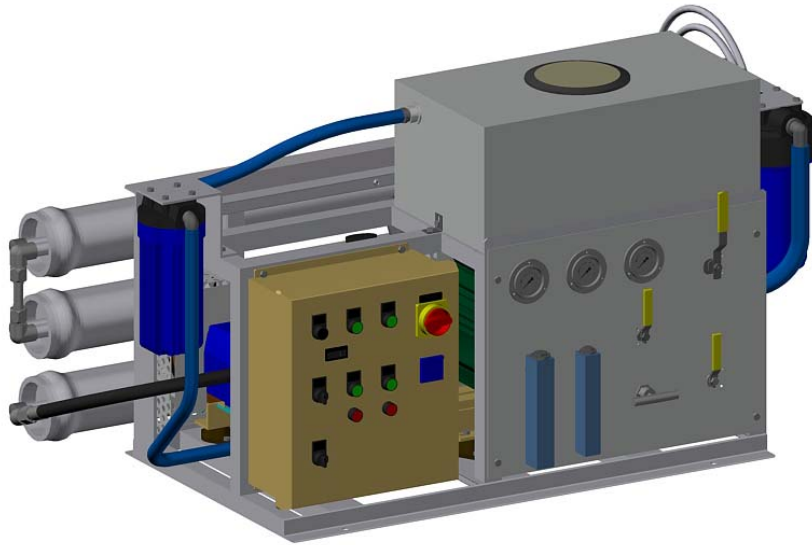


**February 2017; Rev B**

**PARTS CATALOG  
SEA WATER DESALINATOR  
AQUA-SEP SERIES II  
MODELS 07-12 TPD**



**Compass**  
water solutions

**15542 Mosher Ave. Tustin, CA 92780 U.S.A.**

**WEB: [compasswater.com](http://compasswater.com)**

**TEL: (949) 222-5777**

**FAX: (949) 222-5770**

This parts catalog is a reference for all of the following  
Model numbers and Serial numbers manufactured prior  
to the date of this document.

| <b>Model Number</b> | <b>Description</b>         |
|---------------------|----------------------------|
| ASSD0925209-MCS     | AQUA-SEP SERIES II, 9 TPD  |
| ASSD1025210-MCS     | AQUA-SEP SERIES II, 10 TPD |
| ASSD1225212-MCS     | AQUA-SEP SERIES II, 12 TPD |

**Serial Numbers:**

|       |       |       |
|-------|-------|-------|
| 33384 | 33444 | 33559 |
| 33387 | 33445 | 33562 |
| 33391 | 33446 | 33563 |
| 33396 | 33448 | 33564 |
| 33406 | 33481 | 33589 |
| 33407 | 33497 | 33590 |
| 33419 | 33501 | 33600 |
| 33426 | 33513 | 33601 |
| 33440 | 33551 | 33602 |
| 33443 | 33552 | 33603 |

# **COMPONENT PART NUMBERS & DESCRIPTIONS**

NOTE: Some items listed are optional and may not be included on your Aqua-Sep system

| <b><u>ITEM</u></b> | <b><u>COMPONENT NAME</u></b>          | <b><u>DESCRIPTION</u></b>   |
|--------------------|---------------------------------------|---|
| 1.                 | Control Box (Various)                 | Houses the electrical controls, wiring and safety switches.<br><b>Refer to System Manual</b> For Control Box Drawings. (fig #1)   |
| 2.                 | Membrane Housings & Membrane Elements | High pressure housing for spiral wound membranes. Reject dissolved solids. Only pure water permeates the membranes. Converts seawater to potable water. Housings: <b>MHSA1440</b><br>Element: <b>MSHH0441-H</b> (fig #1 & #8) |
| 3.                 | Cleaning Solution Filter              | Removes silt and sediment from cleaning solution.<br>Filter Element: <b>FCAE3010</b> , Filter Housing: <b>FCHQ7010</b><br>(fig #1 & #4)   |
| 4.                 | Desalinator Frame                     | Serves to mount the system and houses the piping and booster pump/motor. (fig #1)   |
| 5.                 | Cleaning Solution Tank Assy.:         | Tank for mixing cleaning solution.<br>(Full Assy. <b>ASCT120110</b> )<br>(Tank Only <b>ASCT100175</b> ) (fig #4)  |
| 6.                 | Operating Pressure Gauge Assy.        | Indicates system operating pressure. <b>ASOG120705</b><br>(Gauge only <b>GALK0438</b> , High Press. Switch <b>SWMS0015</b> )<br>(fig #3)  |
| 7.                 | Feed Pressure Gauge Assy.             | Indicates the cartridge filter outlet and booster pump inlet pressure. <b>ASFG120705</b><br>(Gauge only <b>GALK0406</b> , Low Press. Switch <b>SWMS0005</b> )<br>(fig #3)   |
| 8.                 | Inlet Pressure Gauge Assy.            | Indicates the cartridge filter inlet pressure.<br><b>ASIG120705</b><br>(Gauge Only <b>GALK0406</b> ) (fig #3)   |
| 9.                 | Operate/Clean Inlet Valve Assy.       | Diverts flow during operating or cleaning mode.<br><b>ASIV120705</b> (fig #3)   |
| 10.                | Operate/Clean Outlet Valve Assy.      | Diverts flow during operating or cleaning mode.<br><b>ASOV120705</b> (fig #3)   |
| 11.                | Cleaning Tank Drain Valve Assy.       | Used to drain the cleaning solution tank.<br><b>ASDV120705</b> (fig #3)   |
| 12.                | Pressure Control Valve Assy.          | Variable orifice back pressure valve. Maintains system feedwater pressure sufficient to permeate the membranes.<br><b>ASCV120705</b> (fig #3)   |

## COMPONENT PART NUMBERS & DESCRIPTIONS

NOTE: Some items listed are optional and may not be included on your Aqua-Sep system

| <u>ITEM</u> | <u>COMPONENT NAME</u>      | <u>DESCRIPTION</u>   |
|-------------|----------------------------|--|
| 13.         | Flowmeter "Product Water"  | Provides instantaneous indication of product water production in gallons per minute and liters per minute. <b>FMTR50500</b><br>(fig #3)                |
| 14.         | Flowmeter "Reject Water"   | Provides instantaneous indication of water being rejected in gallons per minute and liters per minute. <b>FMTR50750</b><br>(fig #3)                    |
| 15.         | Cartridge Filter Housing   | Contains replaceable filter cartridge (5 micron).<br>Filter Housing: <b>FCHQ1510</b><br>Filter Element: <b>FCAA0510</b> (fig #7)                       |
| 16.         | Cartridge Filter Housing   | Contains replaceable filter cartridge (20 micron).<br>Filter Housing: <b>FCHQ1510</b><br>Filter Element: <b>FCAA2010</b> (fig #7)                      |
| 17          | Booster Pump / Motor Assy. | Complete Pump/Motor Assy. (fig #5 & #6)<br>380-415/50Hz: <b>ASBP120704-50</b><br>440-480/60Hz: <b>ASBP120704-60</b>                                    |
| 18.         | Electric Motor             | 5 H.P. motor with 184T Frame (fig #5 & #6)<br><b>MTRL1305</b>  |
| 19.         | Booster Pump               | Plunger style Pump Frame 5 (fig #5 & #6)<br><b>PUCS1051</b>  |
| 20.         | Pulsation Dampener         | 600 P.S.I., ½" <b>PPDS0815</b> (fig #5 & #6)   |
| 21.         | Pressure Relief Valve      | ¼" Stainless Steel Valve Body Valve <b>VRHS0400</b><br>Aqua-Sep Set Spring (750-1500 PSI) <b>ASPS0001</b> (fig #5 & #6)                                |
| 22.         | Motor Mounts               | Vibration Dampeners.<br><b>VBIR0507</b> (fig #5)   |
| 23.         | Motor Drive Belts          | <b>DBBX59</b> (2x) (fig #5)  |
| 24.         | Motor Tension System       | Securing Bar: <b>ASSR120769</b> (fig #5)<br>Motor Bar: <b>ASTR120769</b><br>Bolts: <b>ASTB120769</b> (2x)  |
| 25.         | Product Valve Assy.        | Controls Direction of flow based on the quality of the Processed Water. (fig #7)<br>120 VAC – <b>ASPV120705-120</b><br>220 VAC – <b>ASPV120705-220</b> |
| 26.         | Solenoid Valve (1/2"),     | 120 VAC – <b>VSDB0840</b> (fig #7)<br>220 VAC – <b>VSDB0850</b>  |

## **COMPONENT PART NUMBERS & DESCRIPTIONS**

NOTE: Some items listed are optional and may not be included on your Aqua-Sep system

| <b><u>ITEM</u></b> | <b><u>COMPONENT NAME</u></b>                 | <b><u>DESCRIPTION</u></b>   |
|--------------------|--|---|
| 27                 | TDS Probe                                    | Checks quality of processed water. ( <i>fig #7</i> )<br><b>MPCS1000</b>   |
| 28.                | Drain Manifold                               | <b>ASDM120705</b> ( <i>fig #7</i> )   |
| 29.                | High Pressure Hose Assy.<br>(3/4" x JIC-37°) | These are made to fit. Please indicate "End to End"<br>measurement. Replace "___" in part number with<br>length in inches. <b>ASHA1 ___</b><br>( <i>fig #8</i> )<br>[Example: <b>ASHA0075</b> = 75 inches long] |
| 30.                | Misc. Hoses & Tubing Details                 | Product Tubing (3/8" x 1/4" I.D.) <b>TUVC0406</b><br>5/8" Tubing (Vinyl Braid) <b>TUVB1000</b><br>1" Tubing (Vinyl Braid) <b>TUVB1600</b><br>[Refer to Drawing 120708-MSD For Full Details]                     |

## **PART NUMBERS & DESCRIPTIONS**

NOTE: Some items listed are optional and may not be included on your Aqua-Sep system

| <b><u>ITEM</u></b> | <b><u>PART NUMBER</u></b> | <b><u>DESCRIPTION</u></b>                      |
|--------------------|---------------------------|--|
| A.                 | <b>FCAE3010</b>           | Cleaning Filter Element                        |
| B.                 | <b>ASCT100175</b>         | Cleaning Tank (Tank Only – No Fittings)        |
| C.                 | <b>PNXS0800</b> (3x)      | Pipe Nipple, SS, Sch 80, ½” x Close            |
| D.                 | <b>PTXS0800</b> (2x)      | Pipe Tee, #3000, SS, ½”                        |
| E.                 | <b>PEXS0800</b>           | Pipe Elbow, #3000, SS, ½”                      |
| F.                 | <b>PBTS0804</b> (2x)      | Pipe Bushing, SS, ½” x ¼”                      |
| G.                 | <b>PNTS0400</b>           | Pipe Nipple, SS, ¼” x Close                    |
| H.                 | <b>PEGX0800</b>           | Pipe Adapter Elbow, PVC Sch 80, ½” Hose x FNPT |
| I.                 | <b>FCMS120837</b>         | Flare Connector, ½” MNPT x ¾” - 37° Hose       |
| J.                 | <b>PNTS1210</b> (2x)      | Pipe Nipple, SS, ¾” x 2 ½” Long                |
| K.                 | <b>PTTS1200</b>           | Pipe Tee, SS, ¾”                               |
| L.                 | <b>PAHX1612</b> (2x)      | Pipe Adapter, PVC Sch 80, 1” Hose x ¾” MNPT    |
| M.                 | <b>FTEM0402</b>           | Fast & Tite Elbow, ¼” Tube x 1/8” MNPT         |
| N.                 | <b>ASSE100563</b>         | Suction Elbow (Fabricated) ¾”                  |
| O.                 | <b>PNTS1200</b>           | Pipe Nipple, SS, ¾” x Close                    |
| P.                 | <b>PPPX1600</b> (1’)      | Pipe, 1” PVC Sch 80 (order 1 foot)             |
| Q.                 | <b>PQSX1600</b>           | Pipe Cap, PVC Sch 80                           |
| R.                 | <b>PETS1200</b>           | Pipe Elbow, SS, ¾”                             |
| S.                 | <b>PSTS1200</b>           | Pipe Street Elbow, SS, ¾”                      |
| T.                 | <b>PPTS0800</b>           | Pipe Plug, SS, ½”                              |
| U.                 | <b>PETS0800</b>           | Pipe Elbow, SS, ½”                             |
| V.                 | <b>PUTS0800</b>           | Pipe Union, SS, ½”                             |
| W.                 | <b>PNTS0800</b> (6x)      | Pipe Nipple, SS, ½” x Close                    |

## **PART NUMBERS & DESCRIPTIONS**

NOTE: Some items listed are optional and may not be included on your Aqua-Sep system

| <b><u>ITEM</u></b> | <b><u>PART NUMBER</u></b> | <b><u>DESCRIPTION</u></b>                |
|--------------------|---------------------------|--|
| X.                 | <b>PAHX0812</b>           | Pipe Adapter, 1/2" Hose x 3/4" MNPT      |
| Y.                 | <b>PTTX1200</b>           | Pipe Tee, PVC Sch 80, 3/4"               |
| Z.                 | <b>PBTX1208</b>           | Pipe Bushing, Threaded PVC, 3/4" x 1/2"  |
| AA.                | <b>PTTS1200</b>           | Pipe Tee, SS, 3/4"                       |
| BB.                | <b>FTEM0608</b>           | Fast & Tite Elbow, 3/8" Tube x 1/2" MNPT |
| CC.                | <b>FEFS1237</b> (2x)      | Flare Elbow, 3/4" x 37° Hose             |
| DD.                | <b>PQTX0800</b> (3x)      | Pipe Cap, 1/2" Threaded                  |
| EE.                | <b>FTEF0800</b> (3x)      | Fast & Tite Elbow, 1/2" Tube x FNPT      |
| FF.                | <b>CEFS1200</b> (4x)      | Compression Elbow, 3/4" Tube x FNPT      |
| GG.                | <b>TUSS1200</b>           | Tubing, 3/4"                             |
| HH.                | <b>MSDA0400</b> (6x)      | Membrane Saddle 4"                       |
| II.                | <b>UNIS6414</b> (6x)      | Uni-Clamp, 4 7/8"                        |
| JJ.                | <b>FTFM0800</b>           | Fast & Tite Fitting, 1/2" Tube x MNPT    |
| KK.                | <b>PTTX0800</b>           | Pipe Tee, Threaded PVC Sch 80, 1/2"      |
| LL.                | <b>PNTX0800</b>           | Pipe Nipple, PVC Sch 80, 1/2" x Close    |

## **CONSUMABLES & REBUILD PARTS**

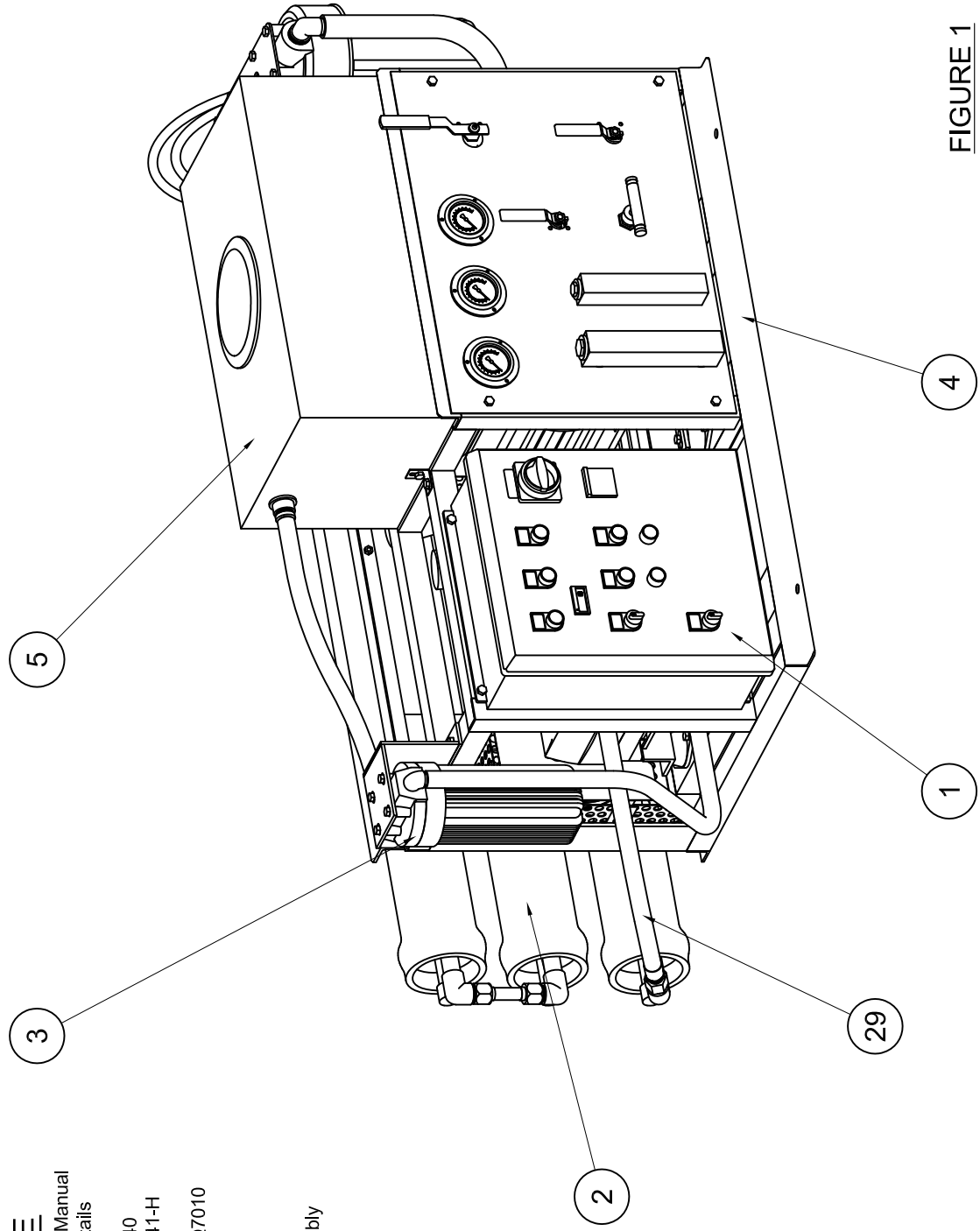
NOTE: Some items listed are optional and may not be included on your Aqua-Sep system

| <b><u>PART NUMBER</u></b> | <b><u>DESCRIPTION</u></b>   |
|---------------------------|---|
| <b>PCVK31258</b>          | Booster Pump Valve Kit, Cat 1051  |
| <b>PCSK0986</b>           | Booster Pump Seal Kit, Cat 1051   |
| <b>ORGN1122</b>           | O-Ring, BB Filters  |
| <b>ORGN1120</b>           | O-Ring, Cleaning Filter   |
| <b>ASAC1000</b>           | Aqua-Sep Membrane Cleaner – Acid<br>2 lbs. (Mix 2 lbs. with 15 gallons of Water)    |
| <b>ASAL2000</b>           | Aqua-Sep Membrane Cleaner – Alkaline<br>2 lbs. (Mix 1 lb. with 15 gallons of Water) |
| <b>SBSP0001</b>           | Aqua-Sep Preservative, Sodium Bisulfate<br>50 lbs. pail                             |
| <b>FCAE3010</b>           | Cleaning Filter   |
| <b>FCAA0510</b>           | Filter Element: (5 micron) x 10” Long, BB   |
| <b>FCAA2010</b>           | Filter Element: (20 micron) x 10” Long, BB  |
| <b>FCWQ1500</b>           | Filter Housing Wrench, BB   |
| <b>VRKD0800</b>           | Solenoid Valve Rebuild Kit ½”   |



**ITEM COMPONENT NAME**

- 1. Control Box - Refer to System Manual For Control Box / Electrical Details
- 2. Membrane Housing: MHA1440  
Membrane Element: MSHH0441-H
- 3. Cleaning Solution Filter: FCHQ7010  
Filter Element: FCAE3010
- 4. Desalinator Frame
- 5. Cleaning Solution Tank Assembly  
ASCT120110
- 29. High Pressure Hose Assembly  
(Refer to Figure #8)

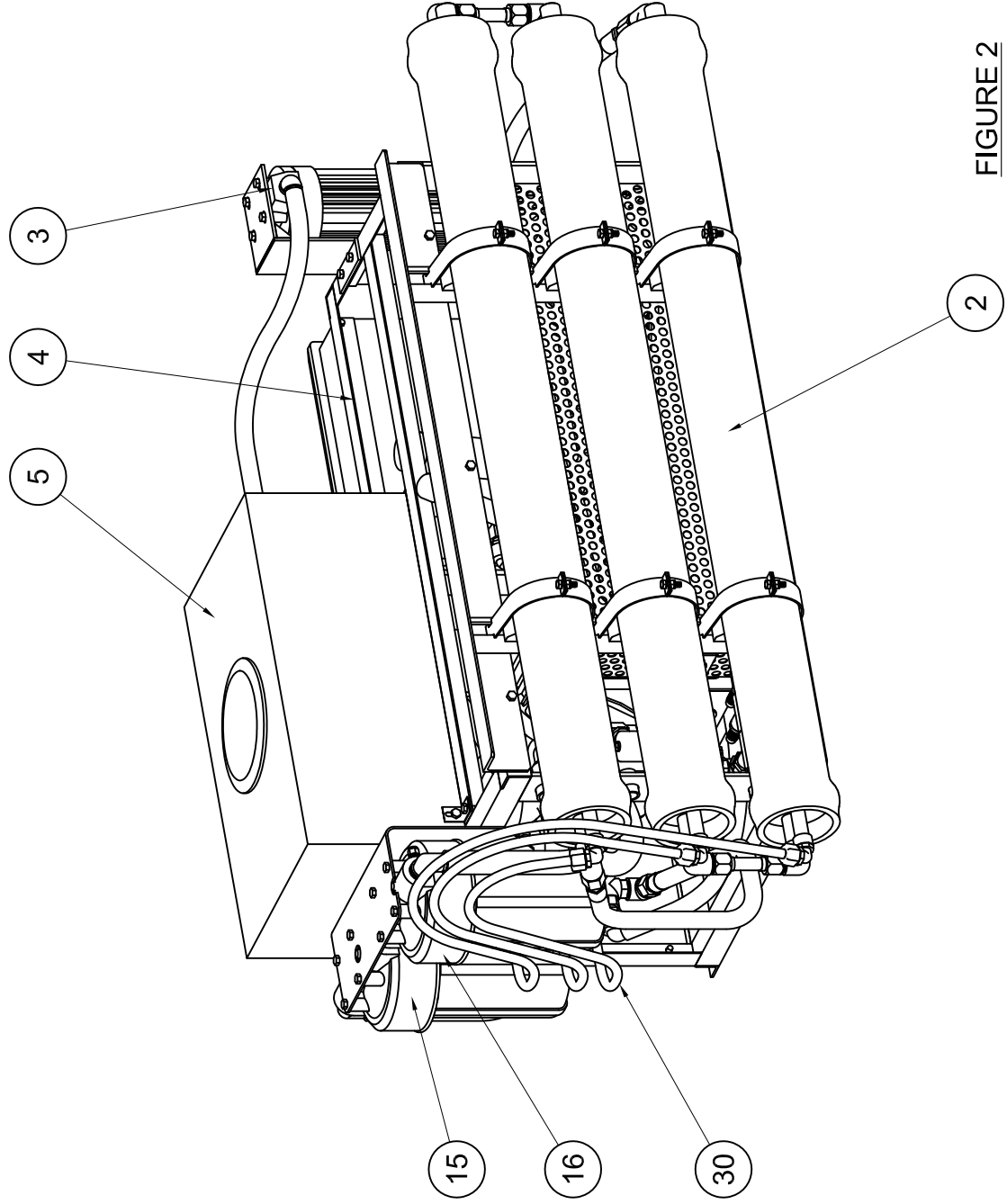


**FIGURE 1**

Sea Water Desalinator  
Front Iso View  
AQUA-SEP S2, 07-12

**ITEM COMPONENT NAME**

- 2. Membrane Housing: MHSA1440  
Membrane Element: MSHH0441-H
- 3. Cleaning Solution Filter: FCHQ7010  
Filter Element: FCAE3010
- 4. Desalinator Frame
- 5. Cleaning Solution Tank Assembly  
ASCT120110
- 15. Cartridge Filter Housing: FCHQ1510  
Filter (5 Micron) FCAA0510
- 16. Cartridge Filter Housing: FCHQ1510  
Filter (20 Micron) FCAA2010
- 30. Misc. Hose and Tubing Details  
(See Drawing 120708-MSC)

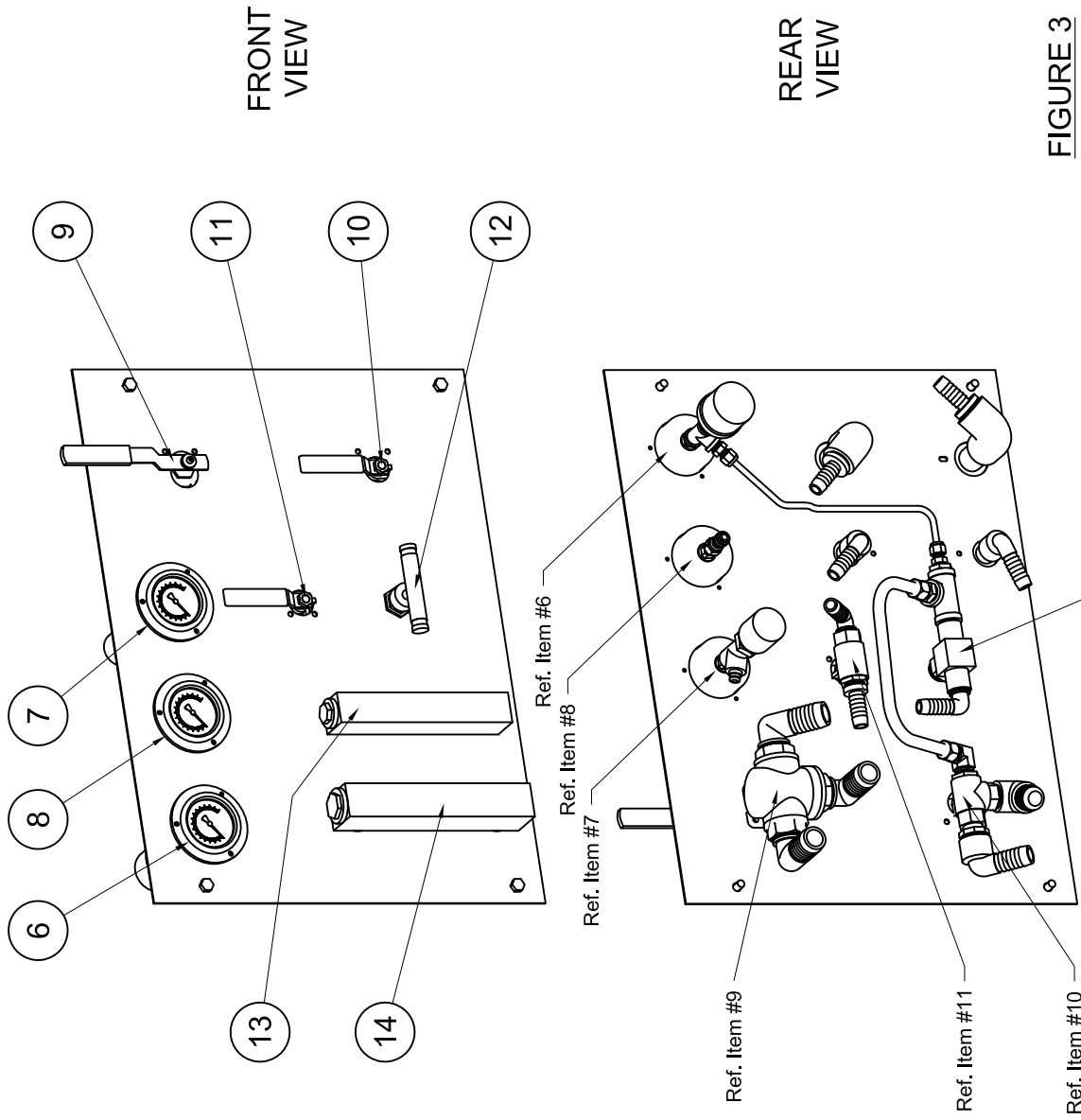


**FIGURE 2**

Sea Water Desalinator  
Rear Iso View  
AQUA-SEP S2, 07-12

**ITEM COMPONENT NAME**

- 6. Operating Pressure Gauge Assembly ASOG120705
- 7. Feed Pressure Gauge Assembly ASFG120705
- 8. Inlet Pressure Gauge Assembly ASIG120705
- 9. Operate / Clean Inlet Valve Assembly ASIV120705
- 10. Operate / Clean Outlet Valve Assembly ASOV120705
- 11. Cleaning Tank Drain Valve Assembly ASDV120705
- 12. Pressure Control Valve Assembly ASCV120705
- 13. Flowmeter - Product Water FMTR50500
- 14. Flowmeter - Reject Water FMTR50750



**NOTE:**

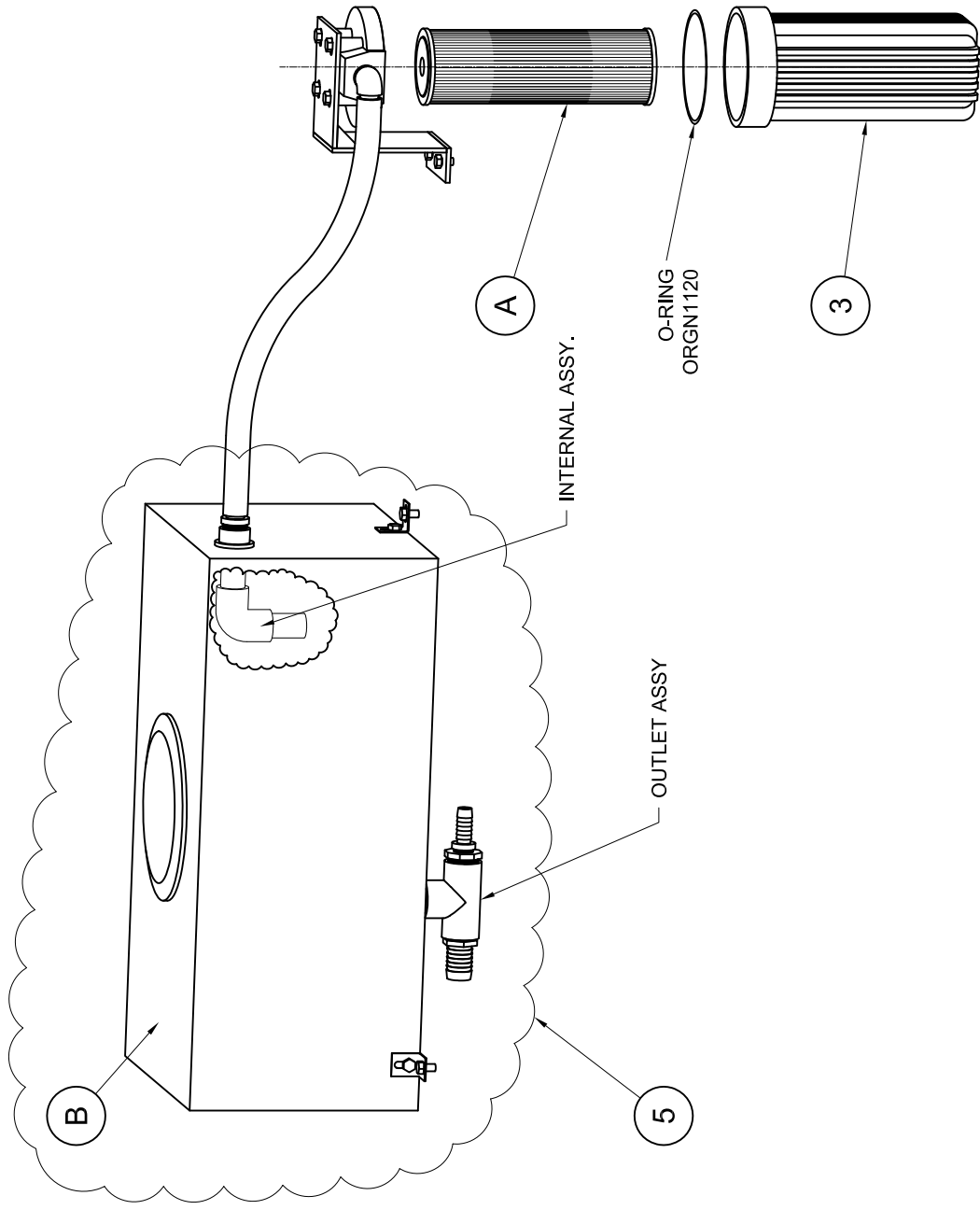
For Connections Details & Tubing callouts  
Refer to Drawing 120708-MSC

**FIGURE 3**

Sea Water Desalinator  
Instrument Panel Views  
AQUA-SEP S2, 07-20

**ITEM COMPONENT NAME**

- 3. Cleaning Solution Filter Housing  
FCHQ7010
- 5. Cleaning Solution Tank Assembly  
ASCT120110
- OUTLET ASSY:  
PNTX1600  
PTTX1600  
PBTX1608  
PAHX1600  
PAHX0800
- INTERNAL ASSY:  
PNTX1200  
PETX1200  
PNTX1216
- A. Cleaning Filter Element  
FCAE3010
- B. Cleaning Tank (Tank Only)  
ASCT100175

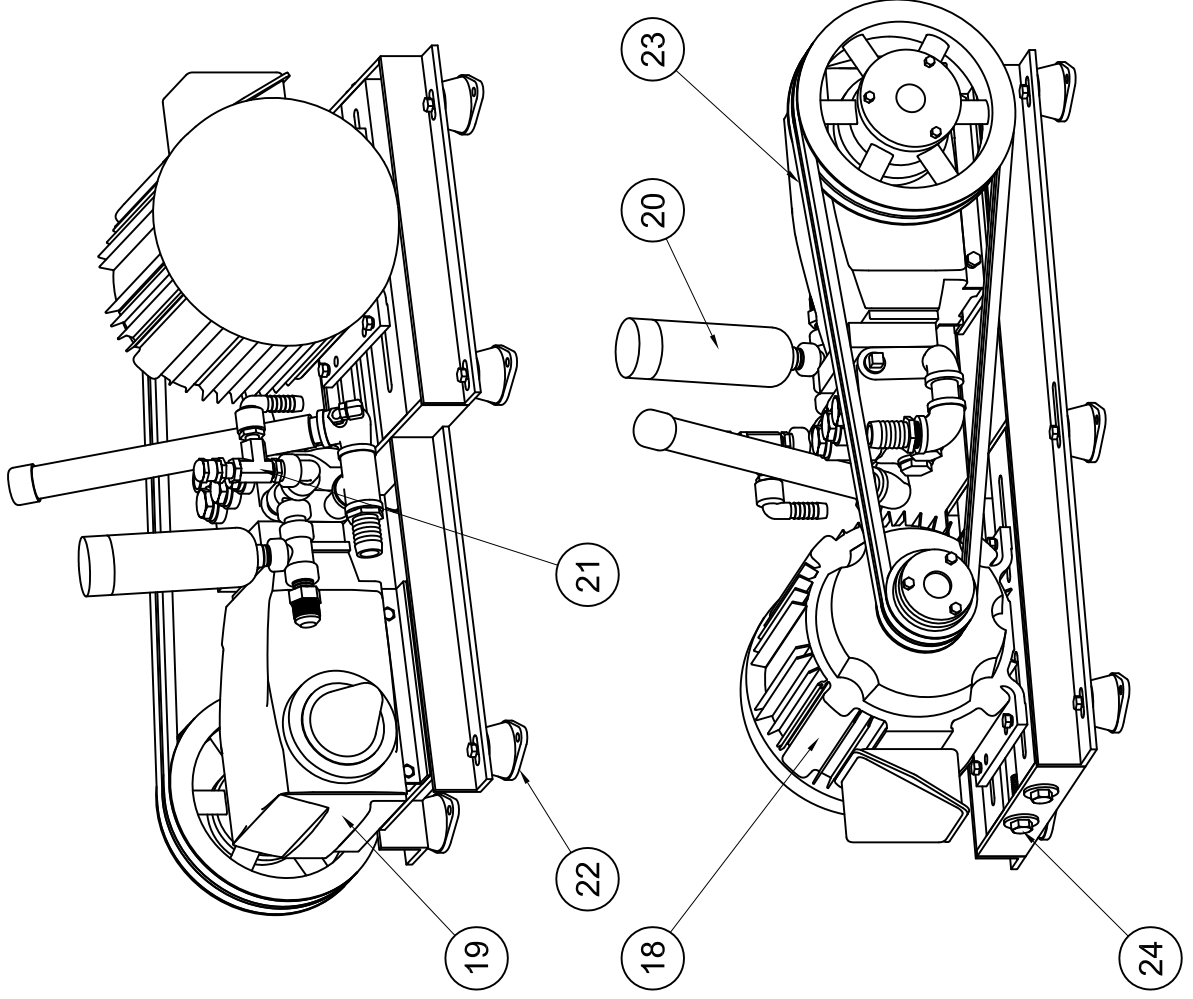


**FIGURE 4**

Sea Water Desalinator  
Cleaning Tank  
AQUA-SEP S2, 07-20

**ITEM COMPONENT NAME**

- 17. Booster Pump / Motor Assembly  
(Complete as Shown)  
380-415 / 50Hz: ASBP120704-50  
440-480 / 60Hz: ASBP120704-60
- 18. Electric Motor, 5 H.P.  
MTRL1305
- 19. Booster Pump, Plunger  
PUCS1051
- 20. Pulsation Dampener, 600 PSI  
PPDS0815
- 21. Pressure Relief Valve  
Valve Body: VRHS0400  
Valve Spring: ASPS0001
- 22. Motor Mounts  
VBIR0507
- 23. Drive Belt  
DBBX59 (2x)
- 24. Motor Tensioning System  
Bolts: ASTB120769 (2x)  
Securing Bar: ASSR120769  
Motor Bar: ASTR120769



**NOTE:**

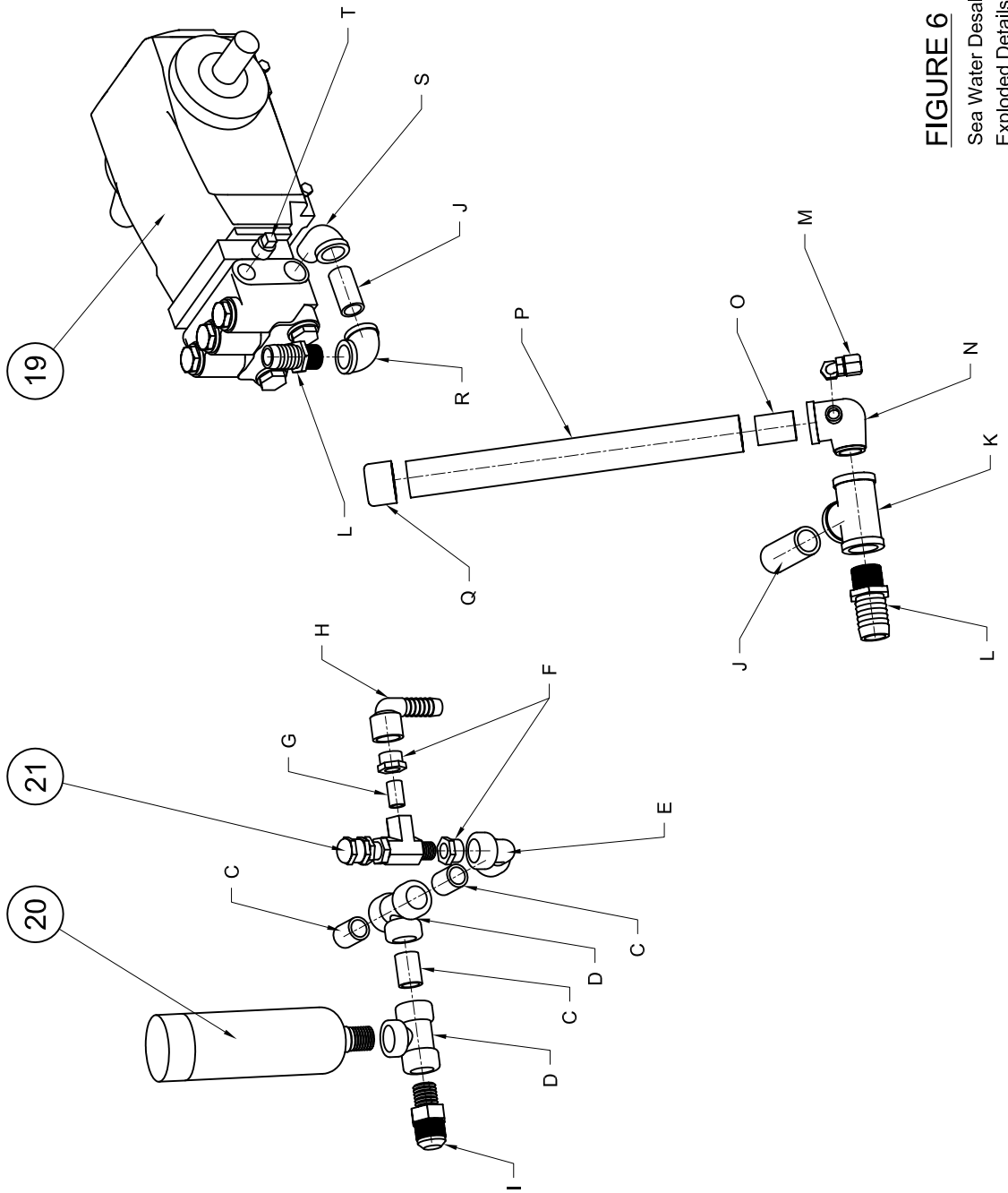
Detail exploded views on next sheet

**FIGURE 5**

Sea Water Desalinator  
High Pressure Pump  
AQUA-SEP S2, 07-16

**ITEM COMPONENT NAME**

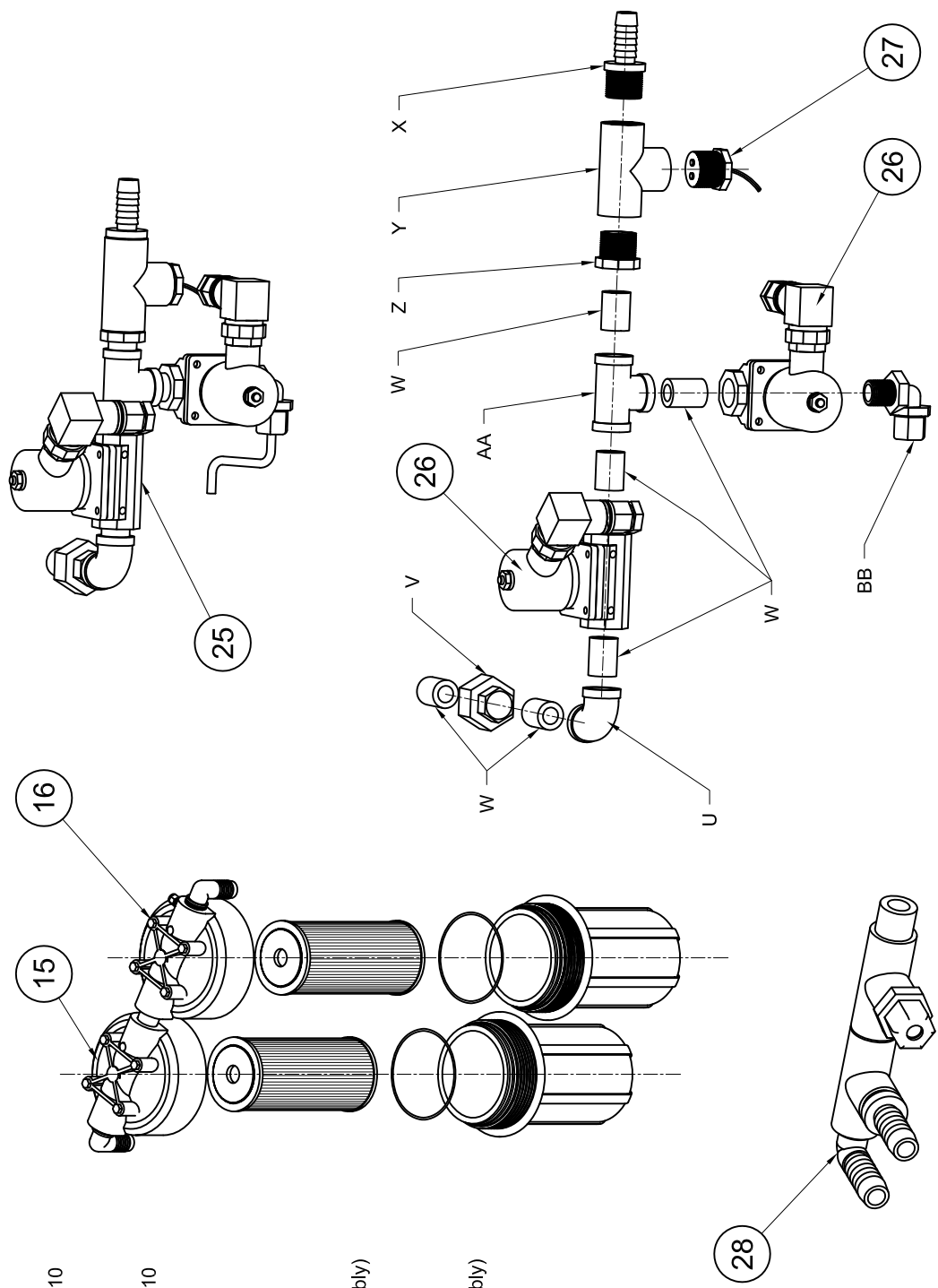
- 19. Booster Pump, PUCS1051
- 20. Pulsation Dampener, 600 PSI  
PPDS0815
- 21. Pressure Relief Valve  
Valve Body: VRHS0400  
Valve Spring: ASPS0001
- C. PNXS0800 (3x)
- D. PTXS0800 (2x)
- E. PEXS0800
- F. PBTS0804 (2x)
- G. PNTS0400
- H. PEGX0800
- I. FCMS120837
- J. PNTS1210 (2x)
- K. PTTS1200
- L. PAHX1612 (2x)
- M. FTEM0402
- N. ASSE100563
- O. PNTS1200
- P. PPPX1600
- Q. PQSX1600
- R. PETS1200
- S. PSTS1200
- T. PPTS0800



**FIGURE 6**  
Sea Water Desalinator  
Exploded Details  
AQUA-SEP S2, 07-16

**ITEM COMPONENT NAME**

- 15. Cartridge Filter Housing: FCHQ1510  
Filter (5 Micron): FCAA0510  
O-Ring: ORGN1122
- 16. Cartridge Filter Housing: FCHQ1510  
Filter (20 Micron): FCAA2010  
O-Ring: ORGN1122
- 25. Product Valve Assembly  
120 VAC: ASPV120705-120  
220 VAC: ASPV120705-220
- 26. Solenoid Valve, 2-Way 1/2"  
(Included in Product Valve Assembly)  
120 VAC: VSDB0840  
220 VAC: VSDB0850
- 27. TDS Probe  
(Included in Product Valve Assembly)  
MPCS1000
- 28. Drain Manifold  
ASDM120705
- U. PETS0800
- V. PUTS0800
- W. PNTS0800 (6x)
- X. PAHX0812
- Y. PTTX1200
- Z. PBTX1208
- AA. PTTS1200
- BB. FTSM0608

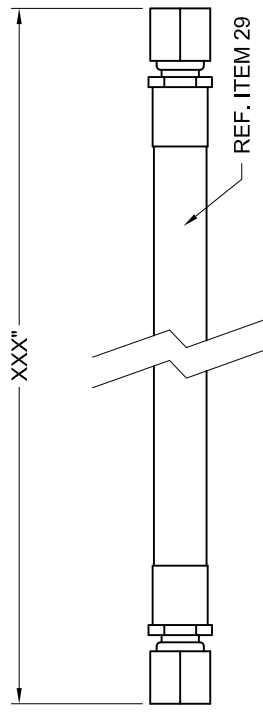


**FIGURE 7**

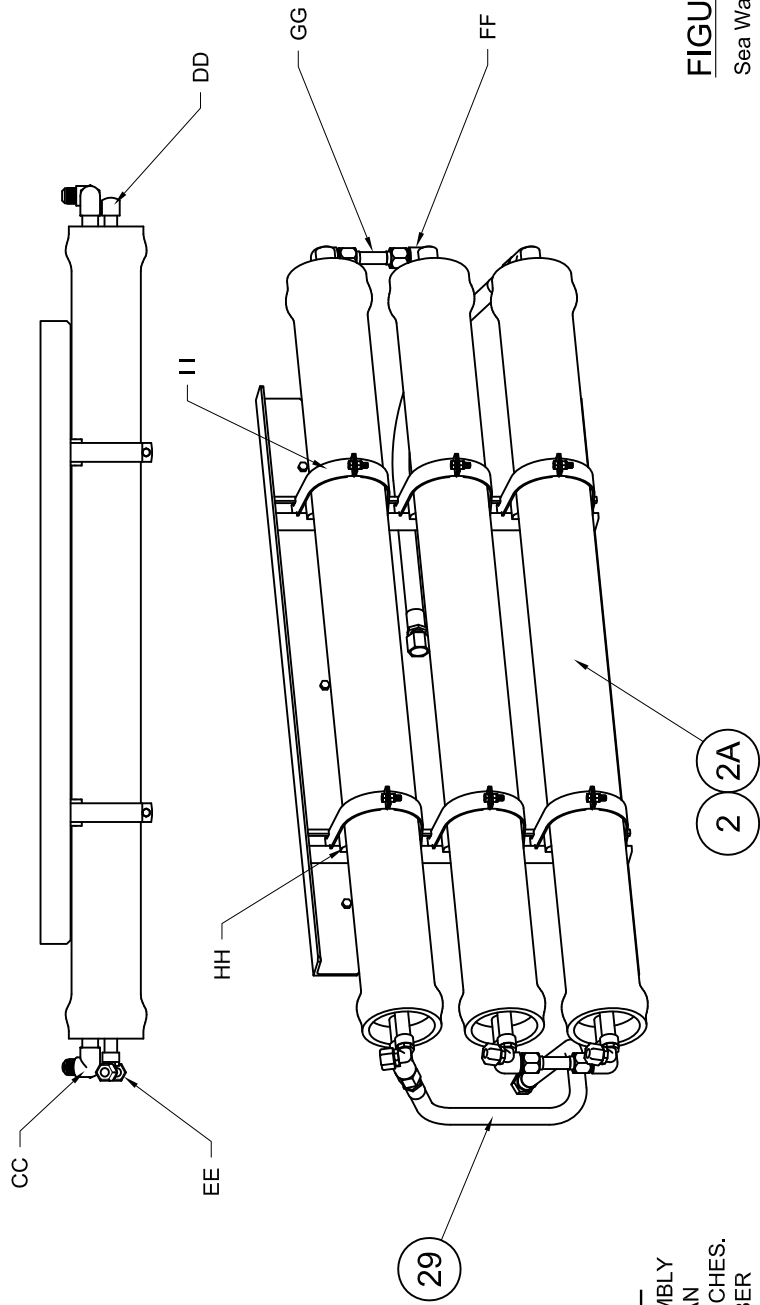
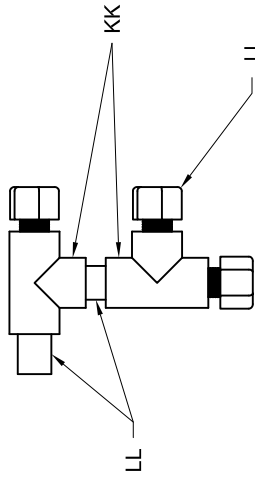
Sea Water Desalinator  
Filter / Manifolds  
AQUA-SEP S2, 07-12

**ITEM COMPONENT NAME**

- 2. Membrane Housings  
MHSA1440
- 2A. Membrane Element  
MSHH0441-H
- 29. High Pressure Hose Assemblies  
ASHA1 \_\_\_\_\_  
(See Note Below)
- CC. FEFS1237 (2x)
- DD. PQT0800 (3x)
- EE. FTEF0800 (3x)
- FF. CEFS1200 (4x)
- GG. TUSS1200
- HH. MSDA0400 (6x)
- II. UNIS6414 (6x)
- JJ. FTFM0800 (3x)
- KK. PTTX0800 (2x)
- LL. PNTX0800 (2x)



MEASURE HOSE "END TO END" FOR PROPER FIT



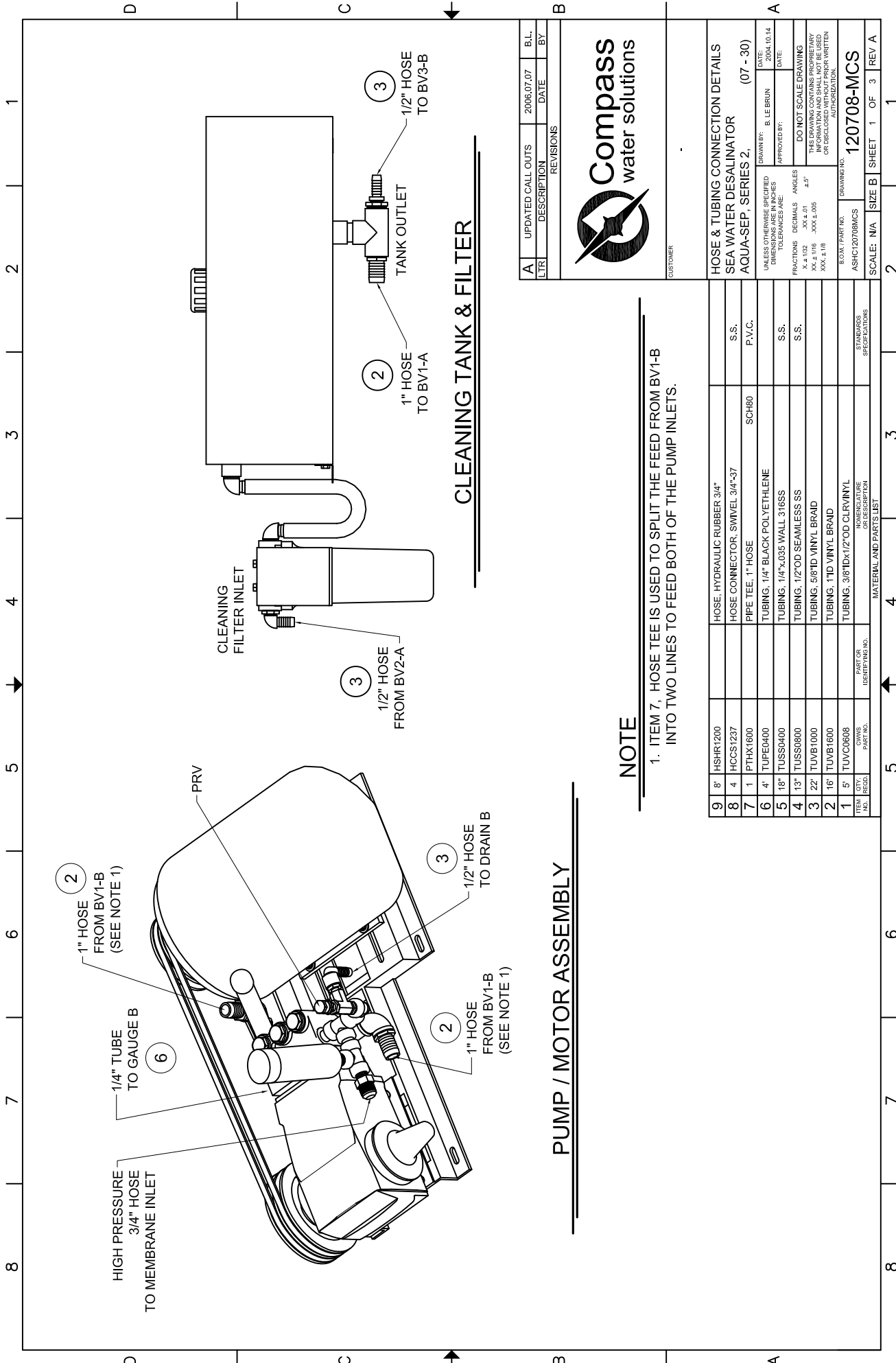
**NOTE**

THE HIGH PRESSURE HOSE ASSEMBLY IS MADE TO FIT. PLEASE INCLUDE AN "END TO END" MEASUREMENT IN INCHES. REPLACE THE "\_\_\_\_\_" IN PART NUMBER WITH THE LENGTH.

**FIGURE 8**

Sea Water Desalinator  
Membrane Rack  
AQUA-SEP S2, 07-12





**PUMP / MOTOR ASSEMBLY**

**NOTE**

1. ITEM 7, HOSE TEE IS USED TO SPLIT THE FEED FROM BV1-B INTO TWO LINES TO FEED BOTH OF THE PUMP INLETS.

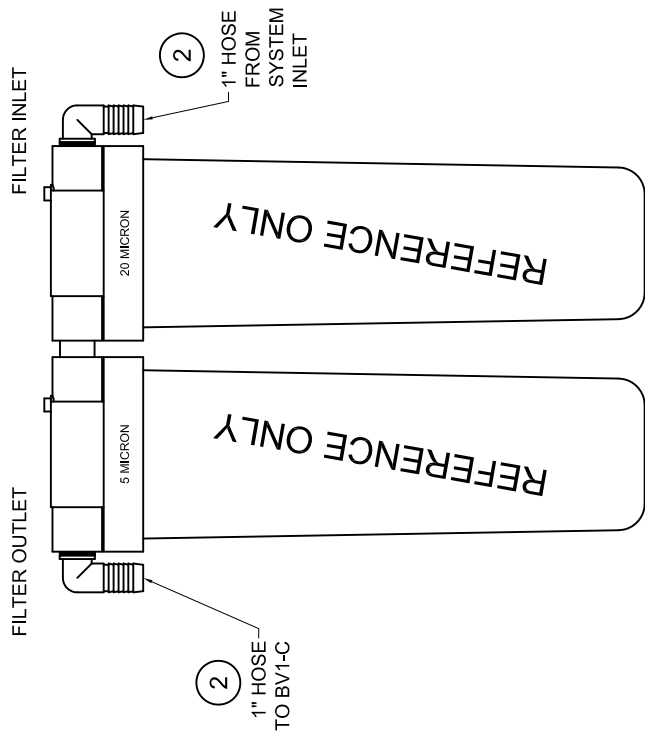
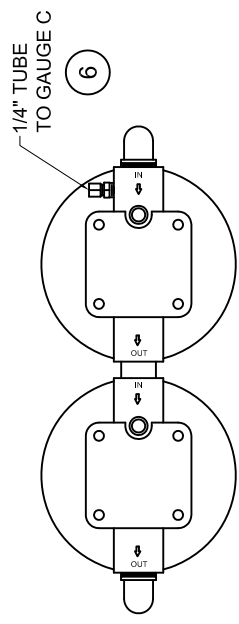
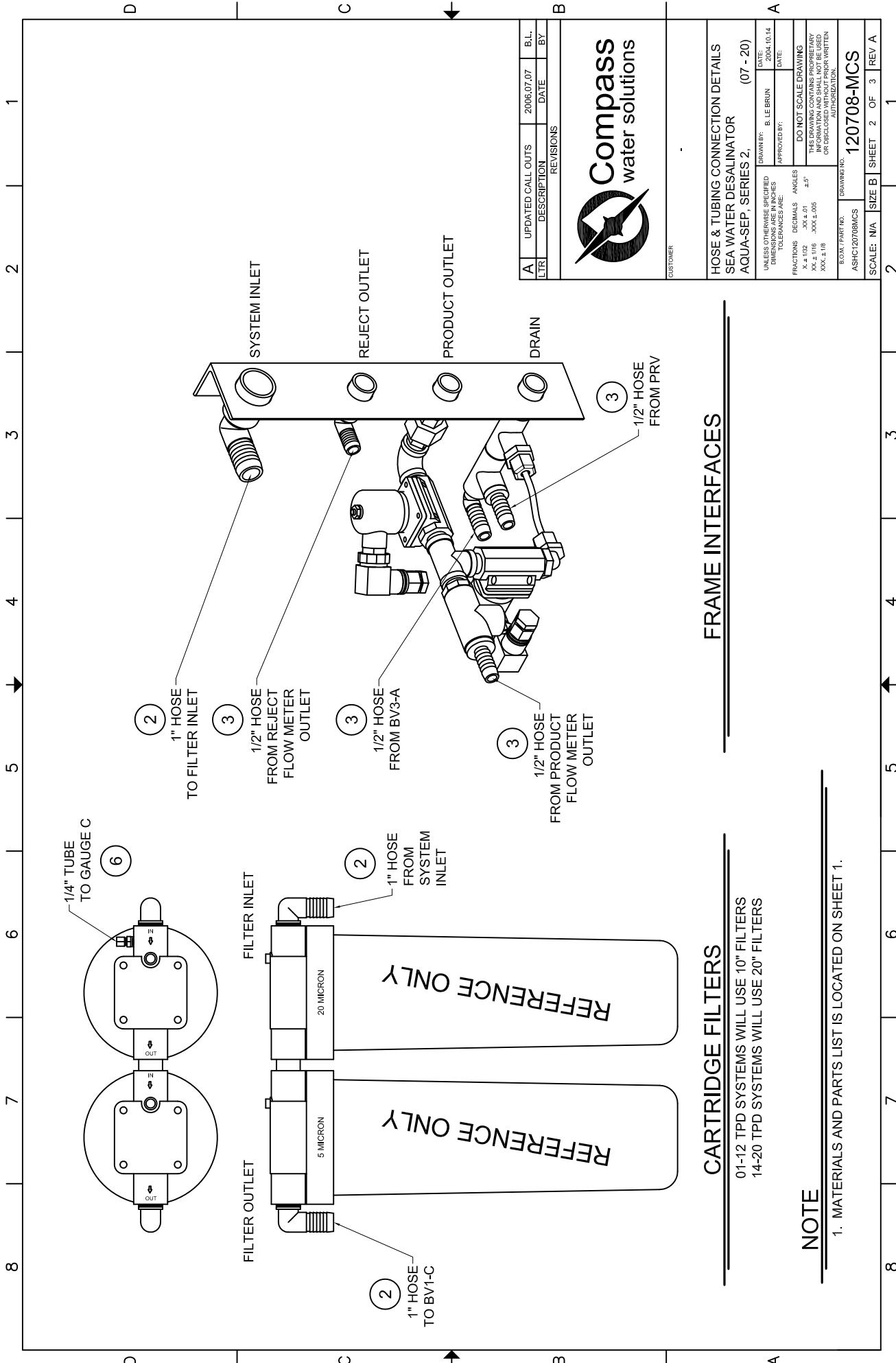
|     |             |                   |            |      |
|-----|-------------|-------------------|------------|------|
| A   |             | UPDATED CALL OUTS | 2006.07.07 | B.L. |
| LTR | DESCRIPTION | DATE              | BY         |      |
| B   |             | REVISIONS         |            |      |

**Compass**  
water solutions

CUSTOMER

|   |              |
|---|--------------|
| HOSE & TUBING CONNECTION DETAILS  |              |
| SEA WATER DESALINATOR   |              |
| AQUA-SEP, SERIES 2,   | (07 - 30)    |
| DRAWN BY:   | B. LE BRUN   |
| DATE:   | 2004.10.14   |
| APPROVED BY:  |              |
| DATE:   |              |
| UNLESS SPECIFIED OTHERWISE DIMENSIONS ARE IN INCHES                                 |              |
| TOLERANCES ARE:   |              |
| FRACTIONS   | DECIMALS     |
| X ± 1/32  | .XX ± 0.01   |
| XX ± 1/16   | .XX ± 0.005  |
| XXX ± 1/8   | .XXX ± 0.005 |
| ANGLES  | ± 5°         |
| DO NOT SCALE DRAWING  |              |
| THIS DRAWING CONTAINS PROPRIETARY OR DISCLOSED WITHOUT PRIOR WRITTEN AUTHORIZATION. |              |
| BOAT / PART NO.   | DRAWING NO.  |
| ASHCI20708MCS   | 120708-MCS   |
| SCALE: NA   | SIZE B       |
| SHEET 1   | OF 3         |
| REV A   |              |

|                         |      |                         |                                     |                          |
|-------------------------|------|-------------------------|-------------------------------------|--------------------------|
| 9                       | 8    | HSHR1200                | HOSE, HYDRAULIC RUBBER 3/4"         | S.S.                     |
| 8                       | 4    | HCCS1237                | HOSE CONNECTOR, SWIVEL 3/4"-37      | P.V.C.                   |
| 7                       | 1    | PTHX1600                | PIPE TEE, 1" HOSE                   | SCH80                    |
| 6                       | 4    | TUPE0400                | TUBING, 1/4" BLACK POLYETHYLENE     | S.S.                     |
| 5                       | 18   | TUSS0400                | TUBING, 1/4"x.035 WALL 316SS        | S.S.                     |
| 4                       | 13   | TUSS0800                | TUBING, 1/2" OD SEAMLESS SS         | S.S.                     |
| 3                       | 22   | TUVB1000                | TUBING, 5/8" ID VINYL BRAID         |                          |
| 2                       | 16   | TUVB1600                | TUBING, 1" ID VINYL BRAID           |                          |
| 1                       | 5    | TUVC0608                | TUBING, 3/8" ID x 1/2" OD CLR VINYL |                          |
| ITEM NO.                | QTY. | PART OR IDENTIFYING NO. | NOMENCLATURE OR DESCRIPTION         | STANDARDS SPECIFICATIONS |
| MATERIAL AND PARTS LIST |      |                         |                                     |                          |



**CARTRIDGE FILTERS**

01-12 TPD SYSTEMS WILL USE 10" FILTERS  
 14-20 TPD SYSTEMS WILL USE 20" FILTERS

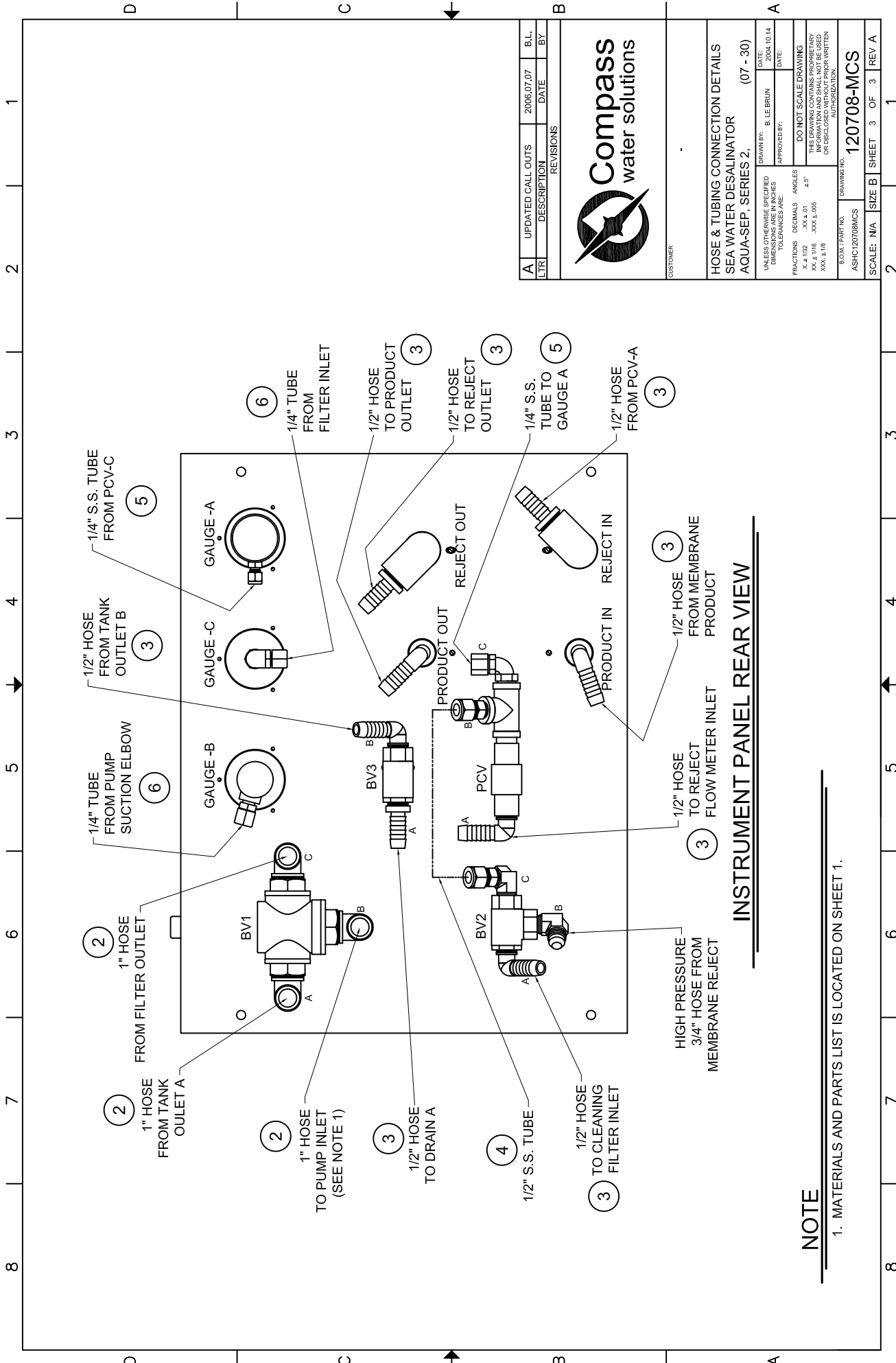
**NOTE**

1. MATERIALS AND PARTS LIST IS LOCATED ON SHEET 1.



| A                 |             | B.L.       |    |
|-------------------|-------------|------------|----|
| LTR               | DESCRIPTION | DATE       | BY |
| UPDATED CALL OUTS |             | 2006.07.07 |    |
| REVISIONS         |             |            |    |

| HOSE & TUBING CONNECTION DETAILS                    |             |                 |            |
|---|-------------|-----------------|------------|
| SEA WATER DESALINATOR                               |             |                 |            |
| AQUA-SEP, SERIES 2, (07 - 20)                       |             |                 |            |
| DRAWN BY:   | B. LE BRUN  | DATE:           | 2004.10.14 |
| APPROVED BY:  |             | DATE:           |            |
| UNLESS SPECIFIED OTHERWISE DIMENSIONS ARE IN INCHES |             | TOLERANCES ARE: |            |
| FRACTIONS   | DECIMALS    | ANGLES          |            |
| X ± 1/32  | .XX ± 0.01  | ± 5°            |            |
| XX ± 1/16   | .XX ± 0.005 |                 |            |
| XXX ± 1/8   |             |                 |            |
| BOOM PART NO.                                       | DRAWING NO. |                 |            |
| ASHC120708MCS                                       | 120708-MCS  |                 |            |
| SCALE: 1:NA   | SIZE: B     | SHEET: 2        | OF: 3      |
| REV: A  |             |                 |            |



**INSTRUMENT PANEL REAR VIEW**

**NOTE**

1. MATERIALS AND PARTS LIST IS LOCATED ON SHEET 1.



| A   |                   | B.L.       |    |
|-----|-------------------|------------|----|
| LTR | DESCRIPTION       | DATE       | BY |
|     | UPDATED CALL OUTS | 2006.07.07 |    |
|     | REVISIONS         |            |    |

CUSTOMER  
 HOSE & TUBING CONNECTION DETAILS  
 SEA WATER DESALINATOR  
 AQUA-SEP, SERIES 2, (07 - 30)

| UNLESS SPECIFIED OTHERWISE DIMENSIONS ARE IN INCHES |            | DRAWN BY: B. LE BRUN |              | DATE: 2004.10.14 |  |
|---|------------|----------------------|--------------|------------------|--|
| FRACTIONS   | DECIMALS   | ANGLES               | APPROVED BY: | DATE:            |  |
| X ± 1/32  | .XX ± 0.1  | ± 5°                 |              |                  |  |
| XX ± 1/16   | .XX ± 0.05 |                      |              |                  |  |
| XXX ± 1/8   |            |                      |              |                  |  |

DO NOT SCALE DRAWING  
 THIS DRAWING CONTAINS PROPRIETARY INFORMATION  
 OR IS DISCLOSED WITHOUT PRIOR WRITTEN AUTHORIZATION.

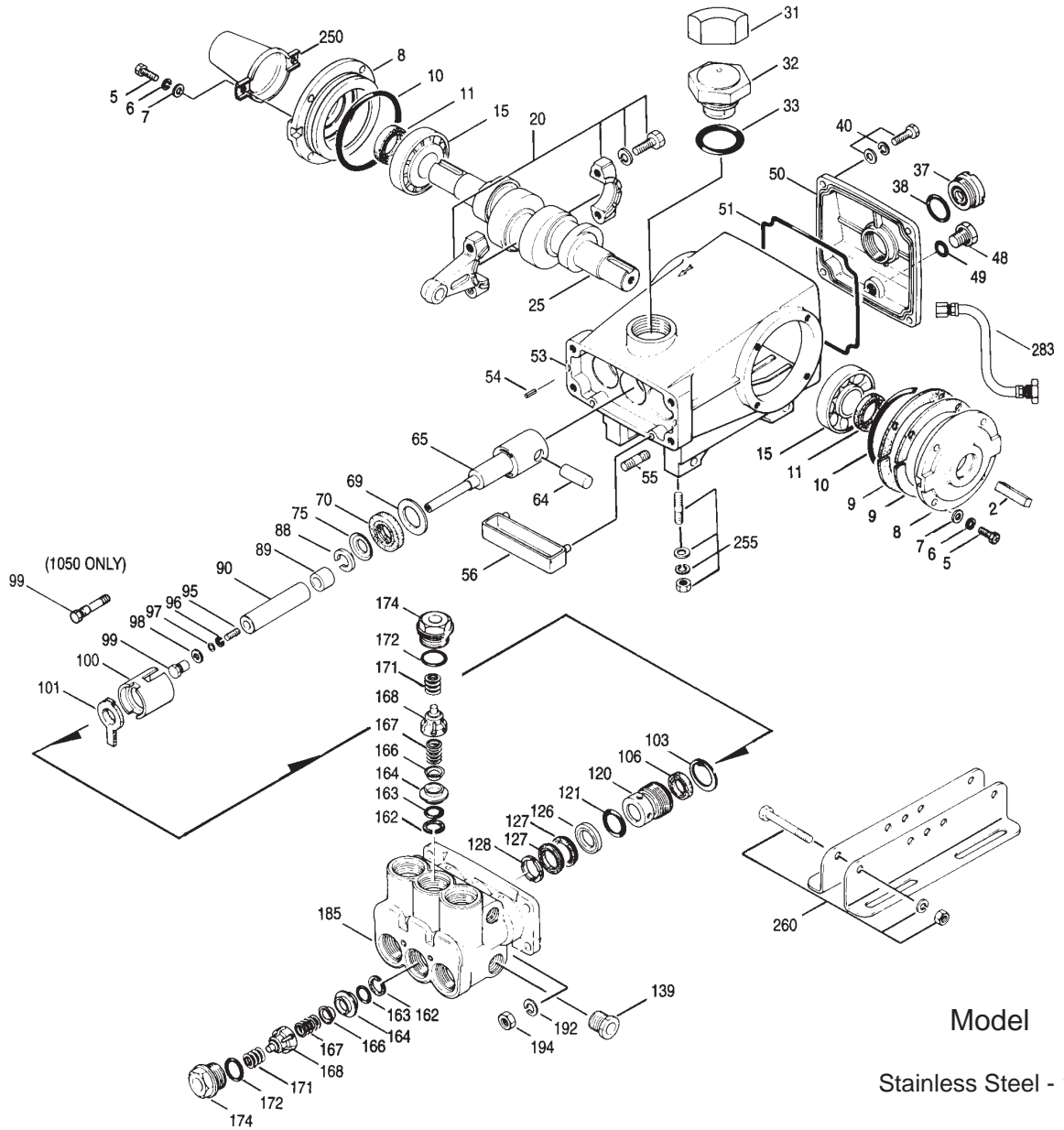
BOAT / PART NO. ASHC120708MCS DRAWING NO. 120708-MCS

SCALE: 1"=A SIZE B SHEET 3 OF 3 REV A

# BOOSTER PUMP PARTS LIST

| ITEM        | PART NUMBER | DESCRIPTION                     | QTY |
|-------------|-------------|---------------------------------|-----|
| <b>1051</b> |             |                                 |     |
| ● 2         | KEYB1057    | Key (M8x7.5x25)                 | 1 ● |
| 5           | ---         | Screw, Sems HHC (M6x16)         | 8   |
| 5           | PPCS89618   | Screw, (M6x16)                  | 8   |
| 6           | PPCS15849   | Lockwasher, Split (M6)          | 8   |
| 7           | PPCS19933   | Washer (M6)                     | 8   |
| 8           | PCBC43496   | Cover, Bearing                  | 2   |
| 9           | PCSB43520   | Shim, Bearing Cover             | 2/4 |
|             | PCSB45387   | Shim, Split 2-Pc                | 0/4 |
| 10          | PCBC11340   | O-Ring, Bearing Cover           | 2   |
| 11          | PCOS43495   | Seal, Oil, Crankshaft           | 2   |
| 15          | PCBR39060   | Bearing, Roller                 | 2   |
| 20          | ---         | Rod, Connecting Assembly        | 3   |
|             | ---         | <i>Rod, Connecting Assembly</i> | 3   |
| 25          | PCCK43494   | Crankshaft, Dual End            | 1   |
| 31          | PCCP82871   | Protector, Oil Cap              | 1   |
| 32          | PCOC43211   | Cap, Oil Filler                 | 1   |
| 33          | PCOR14177   | O-Ring, Filler Cap              | 1   |
| 37          | ---         | Gauge, Oil, Bubble              | 1   |
| 38          | PCGK44428   | Gasket, Flat, Oil Gauge         | 1   |
| 40          | ---         | Screw, Sems HHC (M6x20)         | 4   |
| 48          | PCDP25625   | Plug, Drain (1/4"x11)           | 1   |
| 49          | PCOR23170   | O-Ring, Drain Plug              | 1   |
| 50          | PCCC43491   | Cover, Crankcase                | 1   |
| 51          | ---         | O-Ring, Crankcase Cover         | 1   |
| ● 53        | PCCK43488   | Crankcase                       | 1 ● |
| 54          | ---         | Pin, Guide                      | 2   |
| 55          | PCMS44005   | Stud, Manifold (M10x45)         | 4   |
| 56          | PCOP44664   | Pan, Oil, w/Screws              | 1   |
| 64          | PCPR43507   | Pin, Rist                       | 3   |
| 65          | PCPR45258   | Rod, Plunger                    | 3   |
| 69          | PCWR43504   | Washer, Oil Seal                | 3   |
| 70          | PCOS43500   | Seal, Oil, Crankcase            | 3   |
| 75          | PCBS43506   | Slinger, Barrier                | 3   |
| 88          | PCWK45675   | Washer, Keyhole                 | 3   |
| 89          | PCCL45879   | Collar, Spacer                  | 3   |
| 90          | PCPL43552   | Plunger (M77)                   | 3   |
| 95          | PCRS89651   | Stud, Plunger Retainer (M6x70)  | 3   |
| 96          | PCBUR43235  | Back-up-Ring, Plunger Retainer  | 3   |
| 97          | PCOR17399   | O-Ring, Plunger Retainer        | 3   |
|             | PCOR14160   | <i>O-Ring, Plunger Retainer</i> | 3   |
|             | PCOR46204   | <i>O-Ring, Plunger Retainer</i> | 3   |
| 98          | PCGK44041   | Gasket, Plunger Retainer        | 3   |
| 99          | PCPR44031   | Retainer, Plunger               | 3   |
|             | ---         | Retainer w/Stud                 | 3   |
| 100         | PCSR43509   | Retainer, Seal                  | 3   |
| 101         | PCWK43554   | Wick, Long Tab                  | 3   |
| 103         | PCRR44036   | Ring, Retaining                 | 3   |
| 106         | PCPS44035   | Seal, LPS w/SS-Spg              | 3   |
|             | PCPS44388   | <i>Seal, LPS w/SS-Spg</i>       | 3   |
| 120         | PCSC48464   | Case, Seal                      | 3   |
| 121         | PCRG14762   | O-Ring, Seal Case               | 3   |
|             | PCOR11737   | <i>O-Ring, Seal Case</i>        | 3   |
| 126         | PCFS48389   | Adapter, Female                 | 3   |
| 127         | PCVP103692  | V-Packing                       | 6   |
| 128         | ---         | Adapter, Male                   | 3   |
| 139         | ---         | Plug, Inlet (3/4" NPT)          | 1   |
| 162         | PCBR43248   | Back-up-Ring, Valve Seat        | 6   |
| 163         | PCVS43249   | O-Ring, Seat                    | 6   |
|             | PCOR44383   | <i>O-Ring, Seat</i>             | 6   |
|             | ---         | <i>O-Ring, Seat</i>             | 6   |
| 164         | PCVS44037   | Seat                            | 6   |
| 166         | PCBL44038   | Valve                           | 6   |
| 167         | PCVS44039   | Spring, Valve                   | 6   |
| 168         | PCVR44564   | Retainer, Spring                | 6   |
| 171         | ---         | Coil Spring, Valve Plug         | 6   |
| 172         | PCOR7617    | O-Ring, Valve Plug              | 6   |
|             | PCOR11691   | <i>O-Ring, Valve Plug</i>       | 6   |
|             | ---         | <i>O-Ring, Valve Plug</i>       | 6   |
| 174         | PCVP48463   | Plug, Valve                     | 6   |
| ● 185       | ---         | Head, Manifold                  | 1 ● |
| 192         | ---         | Lockwasher, Split (M10)         | 4   |
| 194         | ---         | Nut, Hex (M10)                  | 4   |

# EXPLODED VIEW



Model

Stainless Steel - 1051

|       | <b>1051</b> |   | <b>QTY</b> |
|-------|-------------|---|------------|
| 250   | PPCY30764   | Protector, Shaft w/2 Screws   | 1          |
| 255   | ---         | Mounting, Direct (Incls: 12490, 12503, 14050, 81048)                      | 1          |
| 260   | ---         | Rail, Angle Assy, A (30635, 30903, 30921, 30912)                          | 1          |
| 265   | ---         | Kit, Complete Mounting, U.S. (30613, 30206, 30059, 30067, 30764)          | 1          |
| ● 269 | PCPU30206   | Pulley (9.75") AB [See complete Drive Packages, Tech Bulletin 03]         | 1 ●        |
| ● 274 | ---         | Hub, "H", M30 (Keyway M8) [See complete Drive Packages, Tech Bulletin 03] | 1 ●        |
| ● 283 | ---         | Kit, Oil Drain  | 1 ●        |
| 290   | ---         | Gasket, Liquid (1.5 oz.)  | 1          |
| ● 299 | PHCS1051    | Head, Complete  | 1 ●        |
| 300   | PCSK3916    | Kit, Seal (Incls: 97, 103, 106, 121, 127) Buna-N                          | 1          |
|       | PCSK0986    | Kit, Seal (Incls: 97, 103, 106, 121, 127) Fluorocarbon                    | 1          |
| 310   | PCVK34387   | Kit, Valve (Incls: 162, 163, 164, 166, 167, 168, 172) Buna-N              | 2          |
|       | PCVK30987   | Kit, Valve (Incls: 162, 163, 164, 166, 167, 168, 172) Fluorocarbon        | 2          |
|       | PCVK31258   | Kit, Valve (Incls: 162, 163, 164, 166, 167, 168, 172) EPDM                | 2          |
| 350   | PPCC0696    | Tool, Valve Seat Removal  | 1          |
| 351   | PPCC3523    | Tool, Seal Case Removal   | 1          |

## PART NUMBERS SHOWN ARE FOR MOST COMMON REPLACEMENT PARTS

If ordering a part that does not have a part number,  
please use the item number and specify the pump model.