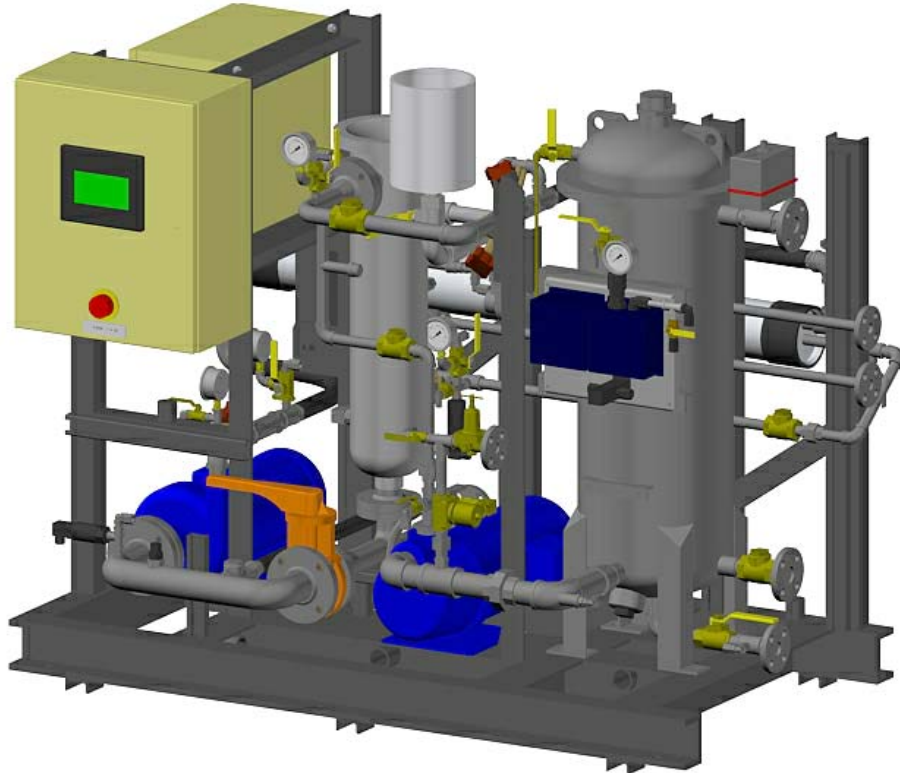


June 2016

**PARTS CATALOG
OIL WATER SEPARATOR
ULTRA-SEP MODEL 250-J096**



Compass
water solutions

15542 Mosher Ave. Tustin, CA 92780 U.S.A.

WEB: compasswater.com

TEL: (949) 222-5777

FAX: (949) 222-5770



This parts catalog is a reference for all of the following Model numbers manufactured prior to the date of this document.

When ordering parts, be certain to include serial number and voltage of the Ultra-Sep model.

Model Number	Description
USBWS250-J096	ULTRA-SEP OILY WATER SEPARATOR

For Electrical Control Panel and Motor Control Center,
Refer to your Operation and Maintenance Manual.

For assistance contact COMPASS at parts@compasswater.com

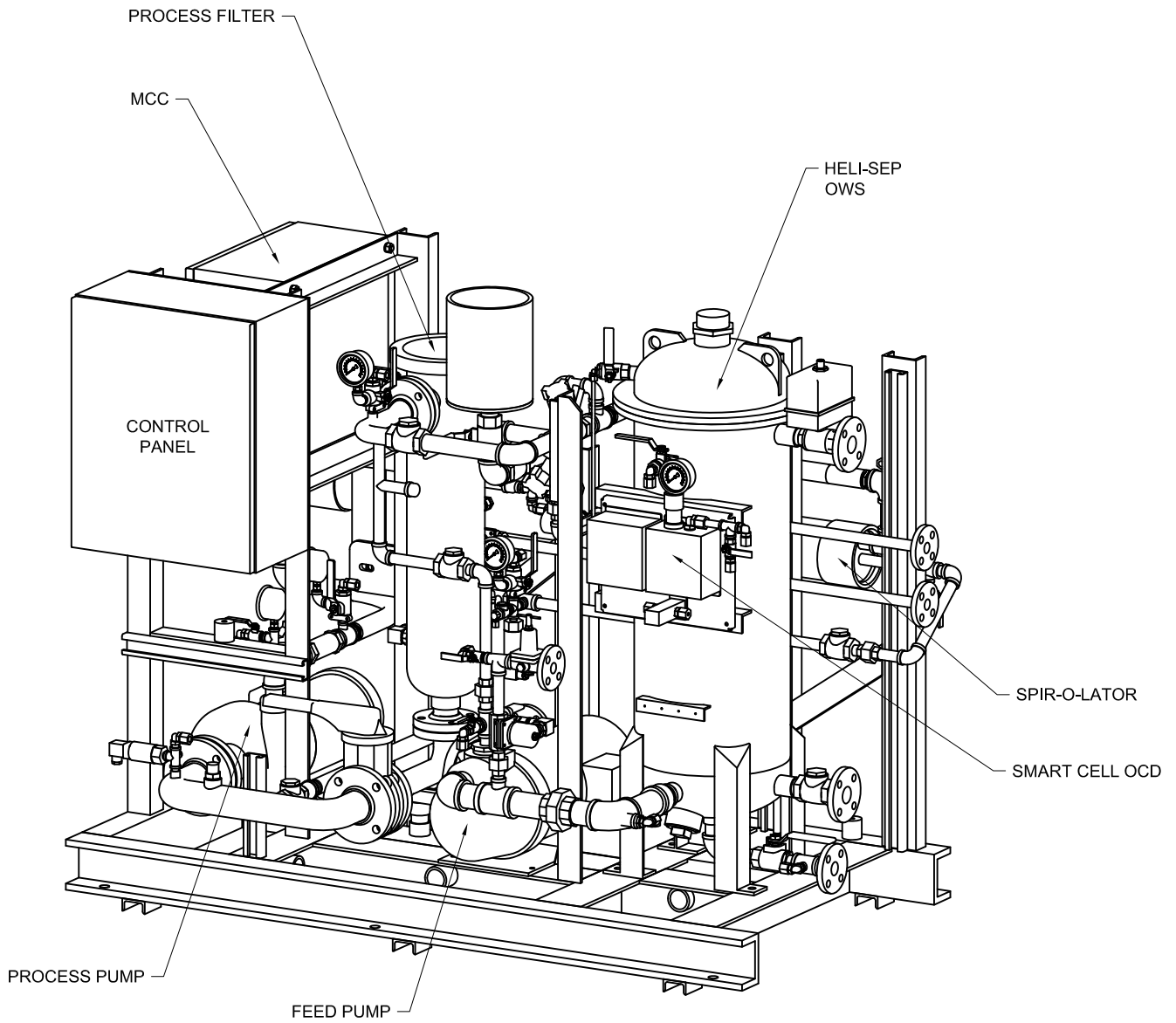
This parts book will cover all
Ultra-Sep system Serial numbers:

47096	47097	47134	
-------	-------	-------	--

Some custom items may not be shown, refer to the
Installation and Operation Manual for your specific system

TABLE OF CONTENTS

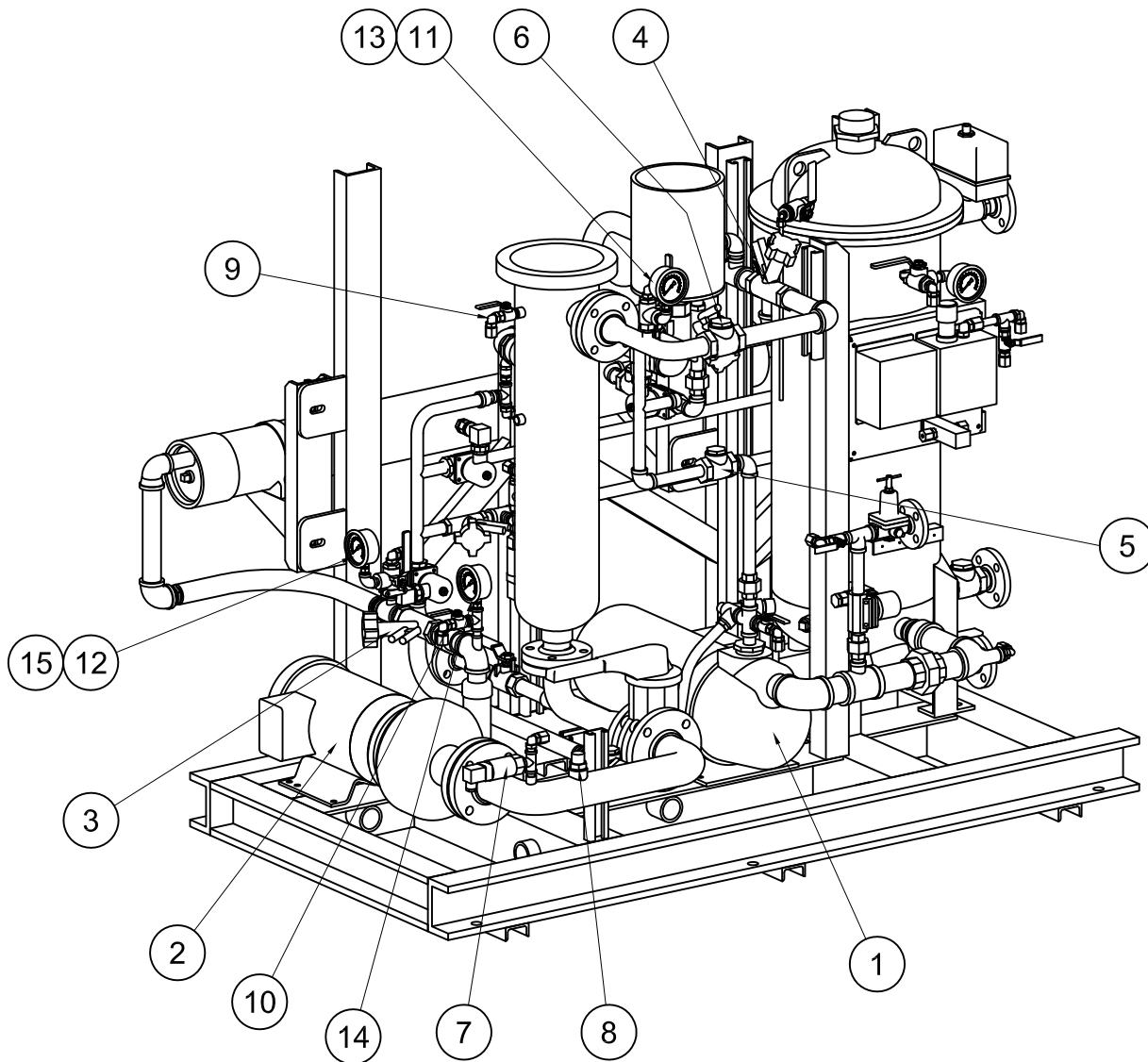
OVERVIEW	4
PARTS VIEW 1	5
PARTS VIEW 2	6
PARTS VIEW 3	7
DEPTH FILTER	8
SPIR-O-LATOR HOUSING	9
SPIR-O-LATOR END CAPS	10
HELI-SEP DETAILS	11
PUMP 1 (PU1) 60Hz PARTS.....	12
PUMP 2 (PU2) 60Hz PARTS.....	13
SMART BILGE ALARM PARTS	14
RECOMMENDED ON BOARD SPARES	15



PARTS LIST

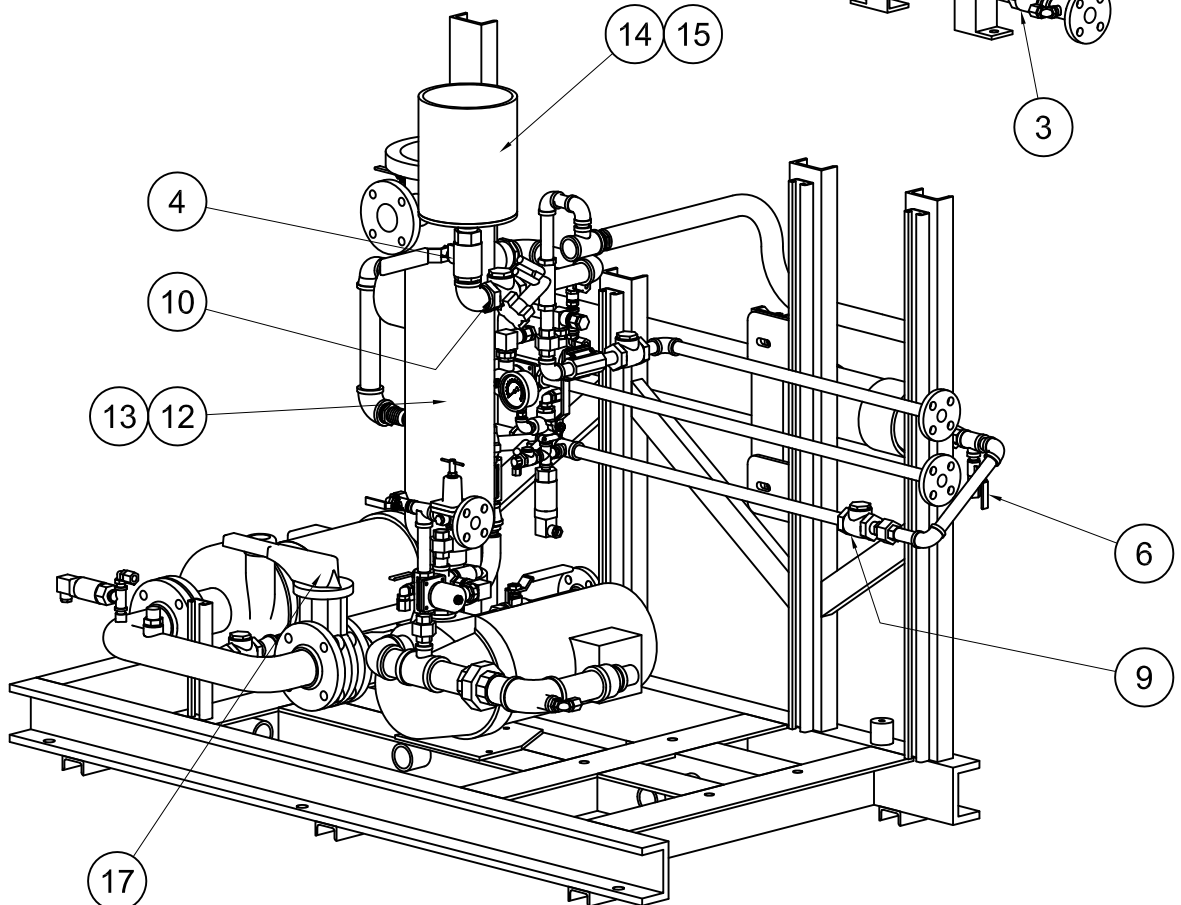
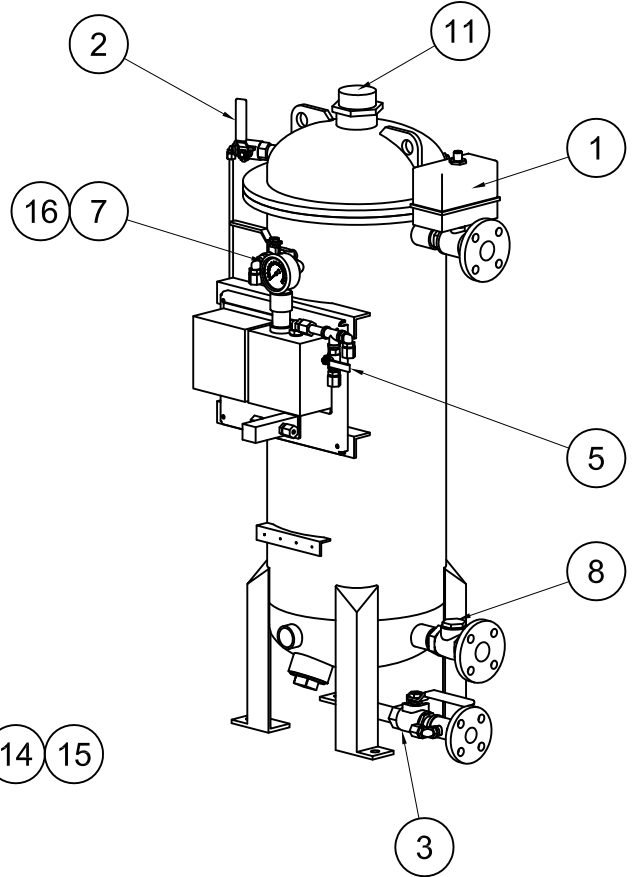


ITEM NO.	PART & ID #	CWS PART NO.	NOMENCLATURE OR DESCRIPTION
1	PU1	PMGI7413007	440V / 60Hz - FEED PUMP / MOTOR
2	PU2	PMGI271303	440V / 60Hz - PROCESS PUMP / MOTOR
3	GV1	VCTB1600	CONTROL VALVE, 1", CBV
4	GV2	VCTB1600	CONTROL VALVE, 1", CBV
5	CV2	VSCB0800	CHECK VALVE, SWING, 1/2"
6	CV3	VSCB1600	CHECK VALVE, SWING, 1"
7	PSL1	SWAP0411	PRESSURE SWITCH, 2.5-15 PSI
8	TS	SWAT0806	TEMPERATURE SWITCH, 125 F
9	BV4	VBLB0400	BALL VALVE, 1/4" (VENT)
10	BV9	VBLB0400	BALL VALVE, 1/4" (SAMPLE)
11	BV12	VBTB0401	3 WAY BALL VALVE, 1/4"
12	BV13	VBTB0401	3 WAY BALL VALVE, 1/4"
13	PI2	GALB0402	PRESS. GAUGE, 0-100 PSI
14	PI3	GALB0403	PRESS. GAUGE, 0-200 PSI
15	PI4	GALB0403	PRESS. GAUGE, 0-200 PSI



PARTS LIST

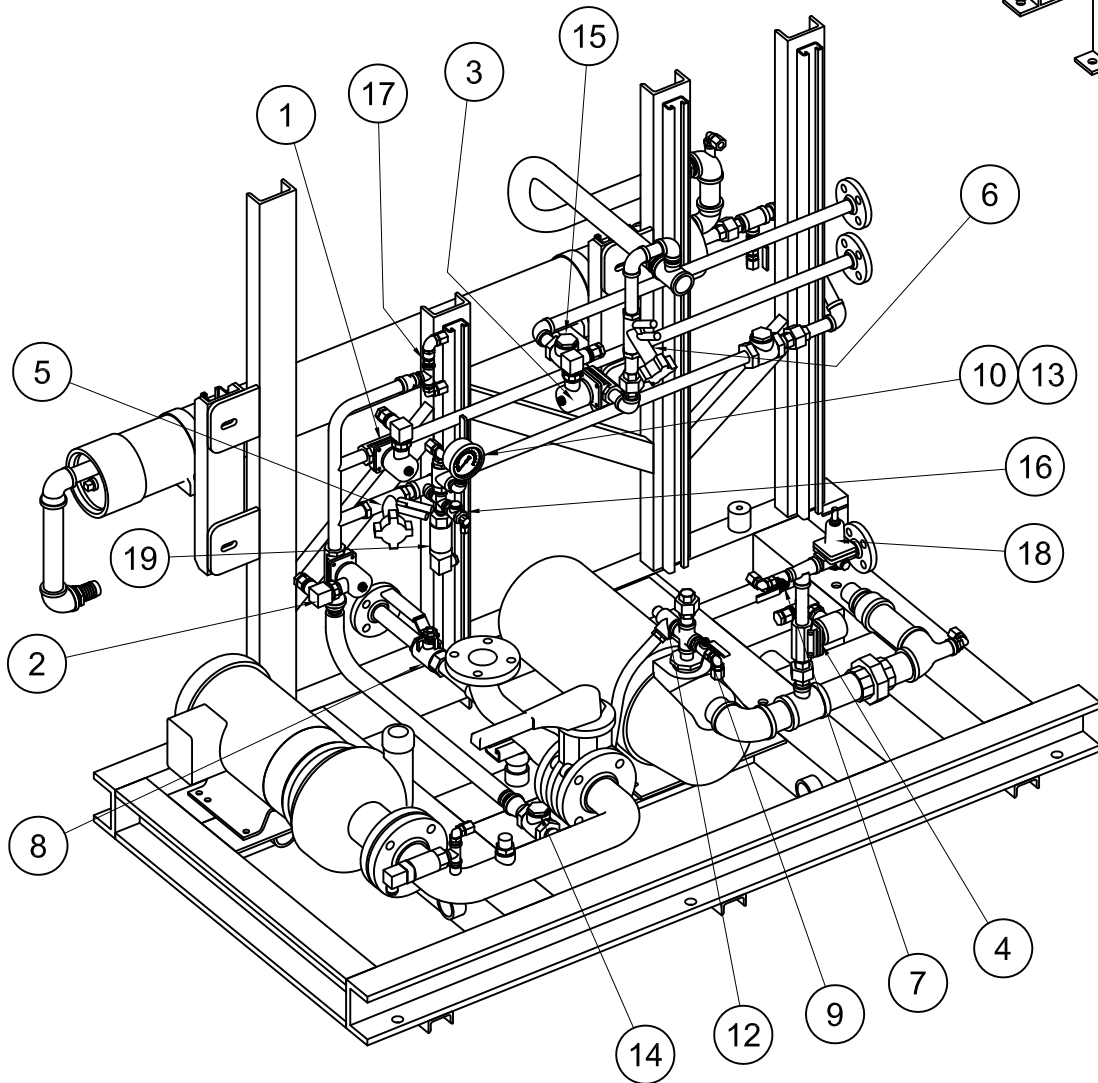
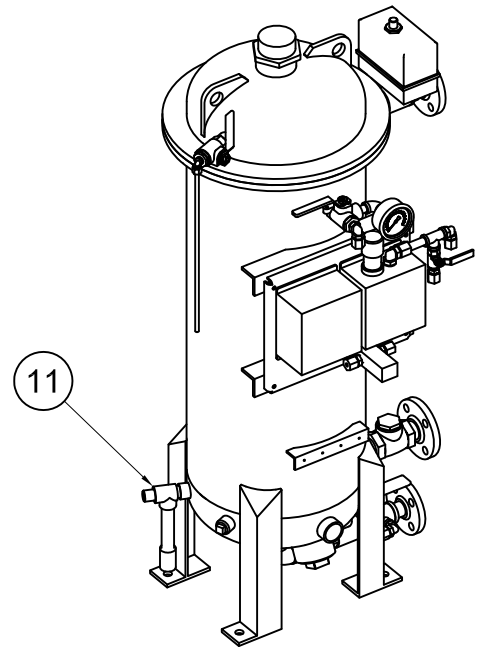
ITEM NO.	PART & ID #	CWS PART NO.	NOMENCLATURE OR DESCRIPTION
1	MV1	VBEB1645	120V - EA BALL VALVE, 1"
2	BV2	VBLB0800	BALL VALVE, 1/2" (VENT)
3	BV3	VBLB1200	BALL VALVE, 3/4"
4	BV6	VBLB1600	BALL VALVE, 1"
5	BV7	VBLB0400	BALL VALVE, 1/4" (DRAIN)
6	BV10	VBLB0400	BALL VALVE, 1/4" (SAMPLE)
7	BV11	VBTB0401	3-WAY BALL VALVE, 1/4"
8	CV1	VSCB1600	CHECK VALVE, SWING, 1"
9	CV4	VSCB0800	CHECK VALVE, SWING, 1/2"
10	CV9	VSCB1600	CHECK VALVE, SWING, 1"
11	OSP	OSPA0074	OIL SENSING PROBE "A", US500
12	FIL1	FHGB1610	FILTER HOUSING
13	FIL1	ORGN6000	FILTER HOUSING O-RING
14		USCC0570	US CLEANING CANISTER
15		USCL0570	US CLEANING CANISTER LID
16	PI1	GALK0424	PRESS GAUGE, -30-0-60
17	BFV1	VBYN3206	BUTTERFLY VALVE, 2"



PARTS LIST

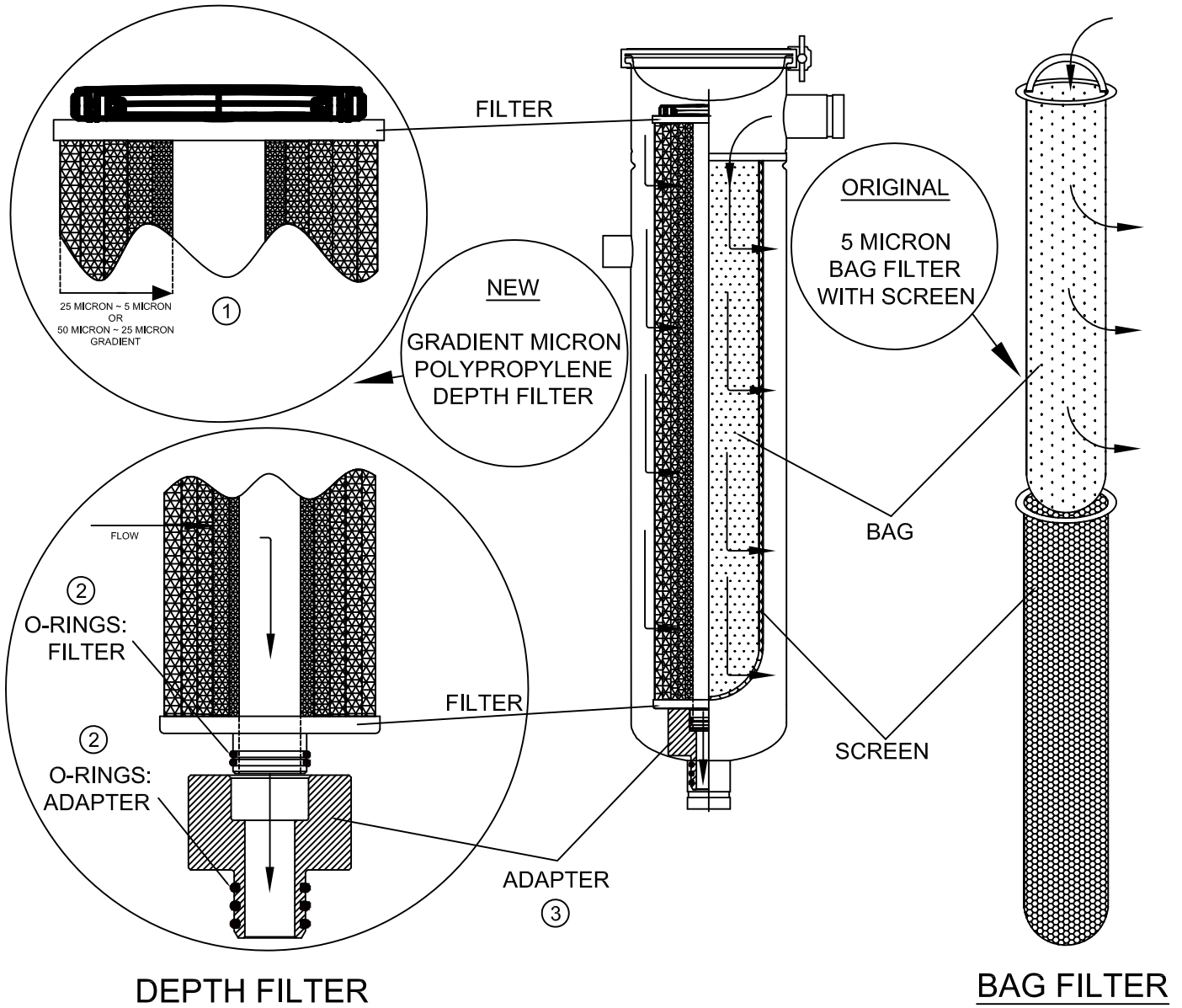


ITEM NO.	PART & ID #	CWS PART NO.	NOMENCLATURE OR DESCRIPTION
1	SV1	VSDB0840	120V - SOLENOID VALVE, 1/2"
2	SV2	VSDB0840	120V - SOLENOID VALVE, 1/2"
3	SV3	VSDB0840	120V - SOLENOID VALVE, 1/2"
4	SV4	VSDB0840	120V - SOLENOID VALVE, 1/2"
5	GV3	VCTB0800	CONTROL VALVE, 1/2", CBV
6	GV4	VCTB0800	CONTROL VALVE, 1/2", CBV
7	BV1	VBLB0400	BALL VALVE, 1/4"
8	BV5	VBLB1200	BALL VALVE, 3/4" (DRAIN)
9	BV8	VBLB0400	BALL VALVE, 1/4" (SAMPLE)
10	BV14	VBTB0401	3-WAY BALL VALVE, 1/4"
11	PR1	VRLB0820-35	RELIEF VALVE, 35PSI, 3/4"
12	PR2	VRLB0820-50	RELIEF VALVE, 50PSI, 3/4"
13	PI5	GALB0402	PRESS. GAUGE, 0-100PSI
14	CV5	VSCB0800	CHECK VALVE, SWING, 1/2"
15	CV6	VSCB0800	CHECK VALVE, SWING, 1/2"
16	CV7	VSCB0400	CHECK VALVE, SWING, 1/4"
17	CV8	VLCB0408	CHECK VALVE, LIFT, 1/4"
18	RV1	RPRB0800	REGULATOR, 3-50 PSI, 1/2"
19	PSL2	SWAP0413	PRESSURE SWITCH, 30 PSI





DEPTH FILTER REPLACING BAG FILTER



ITEM	5 MICRON FITS ULTRA-SEP MODELS			25 MICRON DUPLEX PRE-FILTERS	
	US500C-1000C	US2000-5000	US7500&10000	ALL-US5000	US7500&10000
DEPTH FILTER	FCCU0520	FCCU0530	FCCU0540	FCCU2530	FCCU2540
③ INITIAL ADAPTER	FHAB1610-US	FHAB1720-US	FHAB1730-US	FHAB1720-US	FHAB1730-US
O-RINGS: FILTER	DRGN2225	DRGN2225	DRGN2225	DRGN2225	DRGN2225
O-RINGS: ADAPTER	DRGN2322	DRGN2326	DRGN2334	DRGN2326	DRGN2334

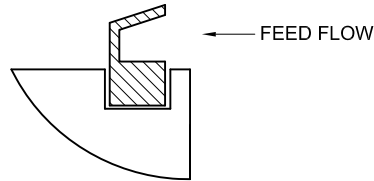
- ① THESE FILTERS WILL NOT FIT IN ASME HOUSINGS.
- ② ADAPTERS AND FILTERS INCLUDE O-RINGS.
- ③ ADAPTERS REQUIRED FOR INITIAL RETROFIT ONLY.

BENEFITS (DEPTH FILTER)

- REDUCED SPIR-O-LATOR CLEANING
- IMPROVED SPIR-O-LATOR PERFORMANCE
- ABSORBS OIL
- MORE DIRT/OIL LOADING CAPACITY
- LESS BY-PASS POTENTIAL

PARTS LIST

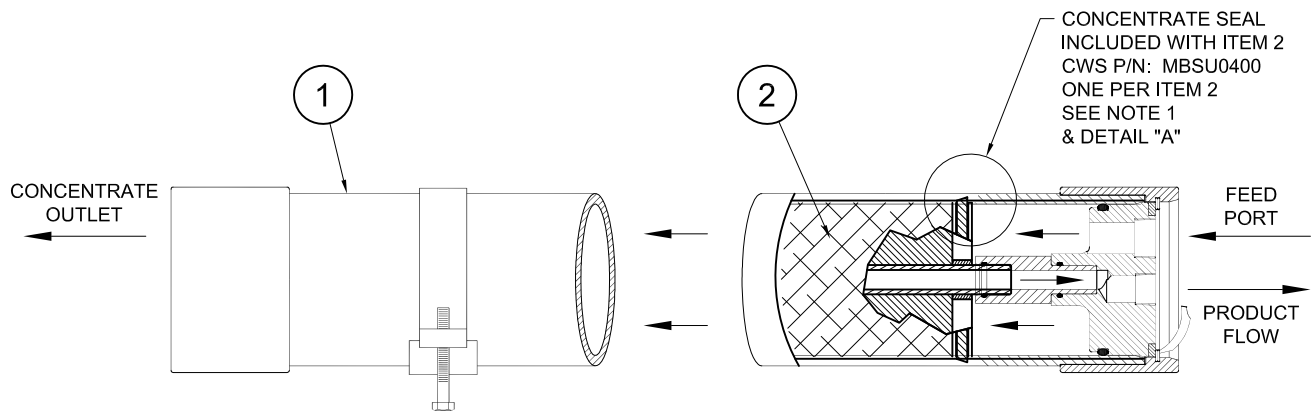
ITEM NO.	QTY. REQD.	CWS PART NO.	NOMENCLATURE OR DESCRIPTION
1	1	MHUP1440	MEMBRANE HSG, 4" X 1L, END PORT DESIGN
2	1	MUFO0449	SPIR-O-LATOR, UF OWS 4" x 40"



DETAIL

(A)

IMPORTANT, NOTE
CONCENTRATE SEAL
ORIENTATION



4" SPIR-O-LATOR HOUSING - SINGLE ELEMENT

NOTE

1. THE CONCENTRATE SEAL END OF THE SPIR-O-LATOR MUST BE INSTALLED TOWARD THE HOUSING FEED PORT AS SHOWN. SEE DETAIL "A".

PARTS LIST

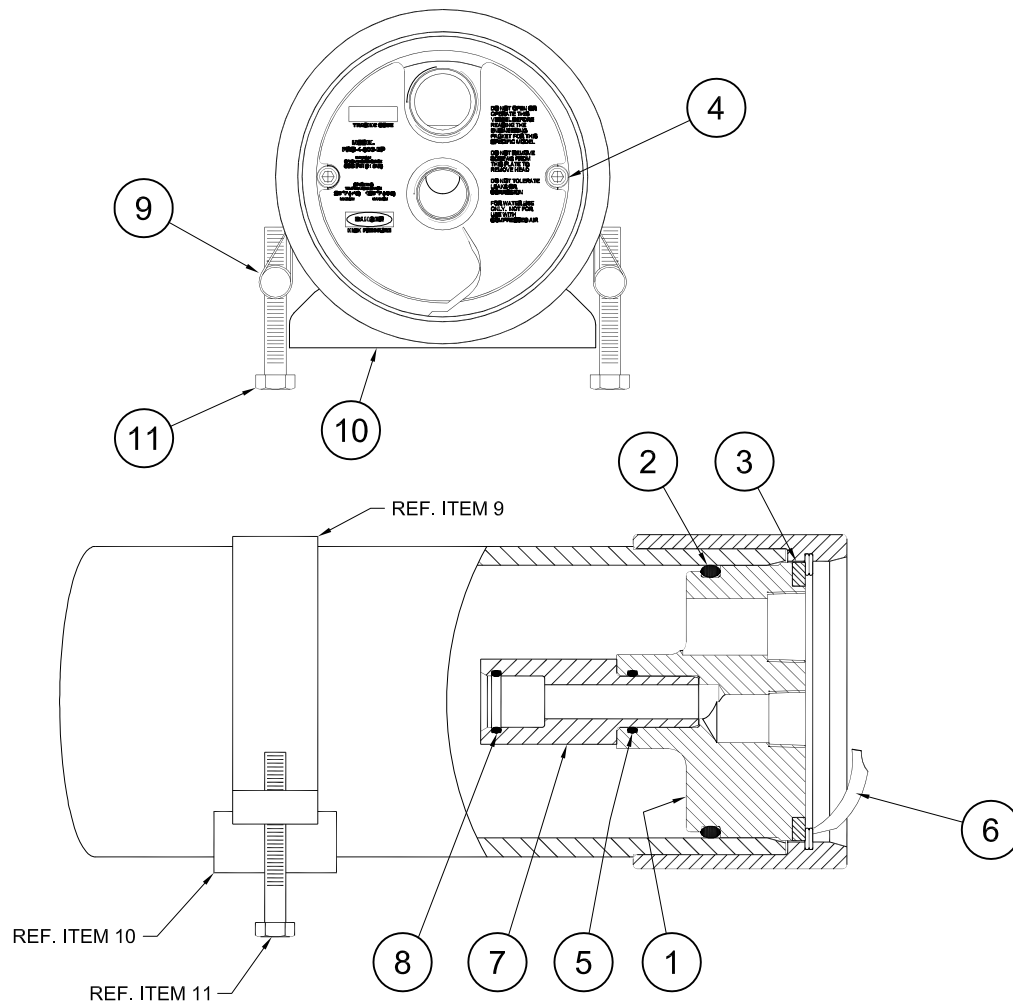


ITEM NO.	QTY. REQD.	CWS PART NO.	NOMENCLATURE OR DESCRIPTION
1	2	SEE TABLE	END PLUG - (COMES IN HEAD ASSEMBLY ONLY)
2	2	ORGN2116	HEAD SEAL
3	2	MHBR0415	BEARING RING
4	2	MHBS0415	SCREW, BEARING RING
5	2	ORGN2116	ADAPTER SEAL
6	2	MHRR0415	RETAINING RING W/ FINGER PULL
7	2	MADP0415	ADAPTER
8	2	ORGN2014	PWT SEAL
9	2	MHSP0415	STRAP ASSEMBLY
10	2	MHSD0415	SUPPORT SADDLE
11	2	MHSP80137-1	STRAP SCREW

NOTES

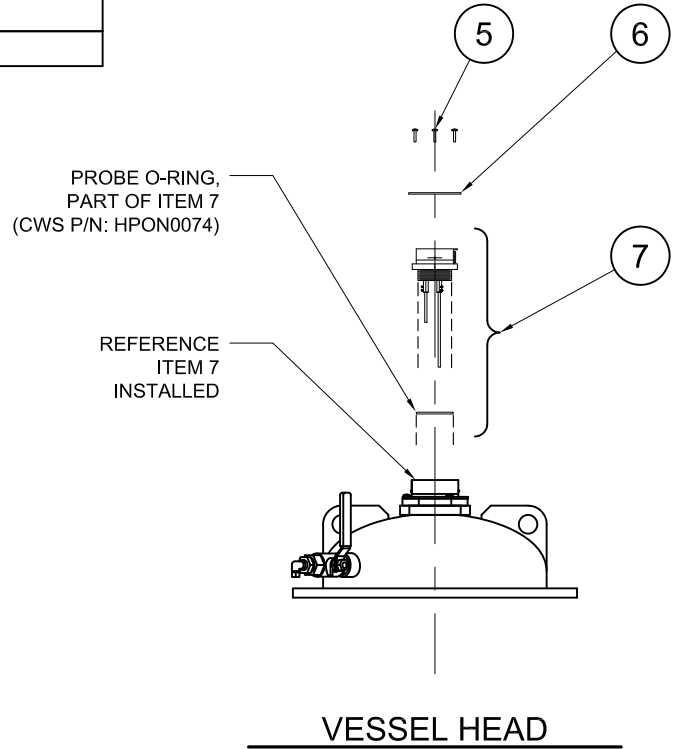
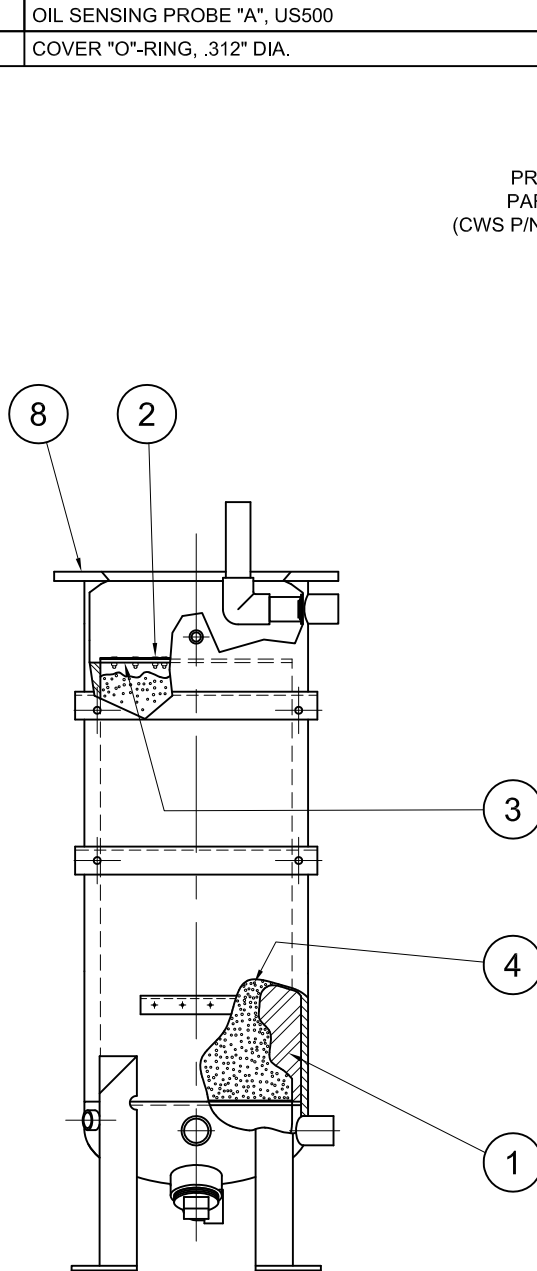
- BOTH ENDS OF HOUSING ARE THE SAME.
- QUANTITIES LISTED ARE FOR BOTH ENDS OF HOUSING.

KIT	ITEMS CONTAINED	CWS PART NUMBER
HEAD ASSEMBLY	ITEMS 1, 2, 3, 4, 5	MHEC0415
SEAL KIT	ITEMS 2, 5, 8	MHSK0415



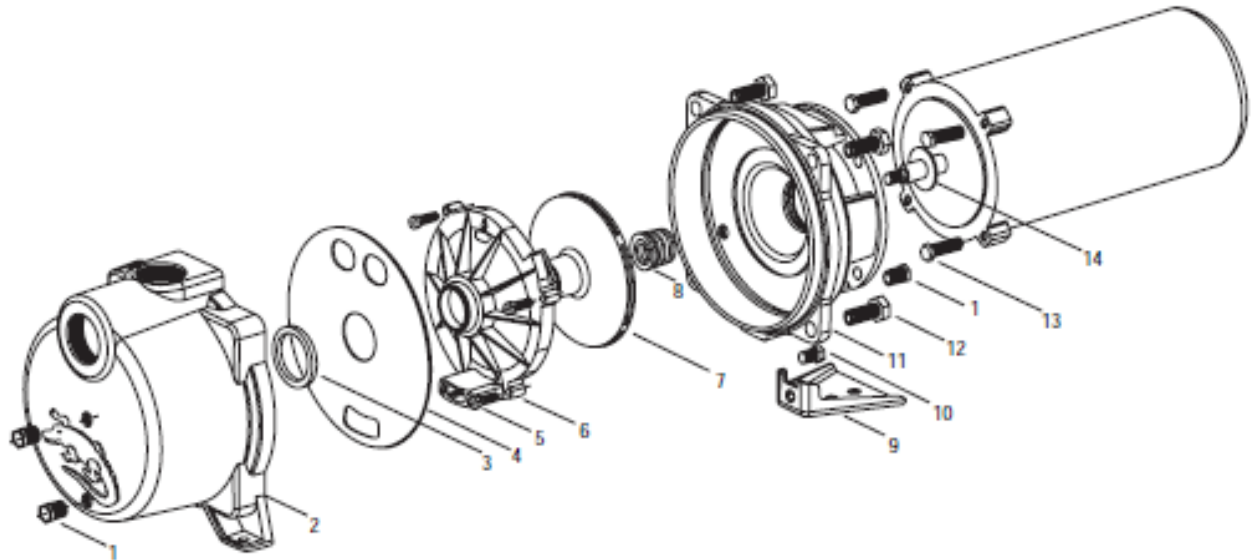
PARTS LIST

ITEM NO.	QTY. REQD.	CWS PART NO.	NOMENCLATURE OR DESCRIPTION
1	1	HSP0567	OILY WATER PLATE PACK, MODEL 500
2	10	RVTS0306	3/16" RIVET SS
3	1	HSSA0563	SCREEN -A
4	10 LBS	FMPB0001	FILTER BEADS
5	3	STCS0812	SCREWS 8/32 X 3/4 SS
6	1	HSP0075	(OSP) OIL SENSING PROBE PLATE - (AS REQUIRED)
7	1	OSPA0074	OIL SENSING PROBE "A", US500
8	1	HCON0042	COVER "O"-RING, .312" DIA.



HELI-SEP 500 SUB-ASSEMBLY

ULTRA-SEP™ 500 thru 3000 60HZ FEED PUMP (PU1) BREAKDOWN

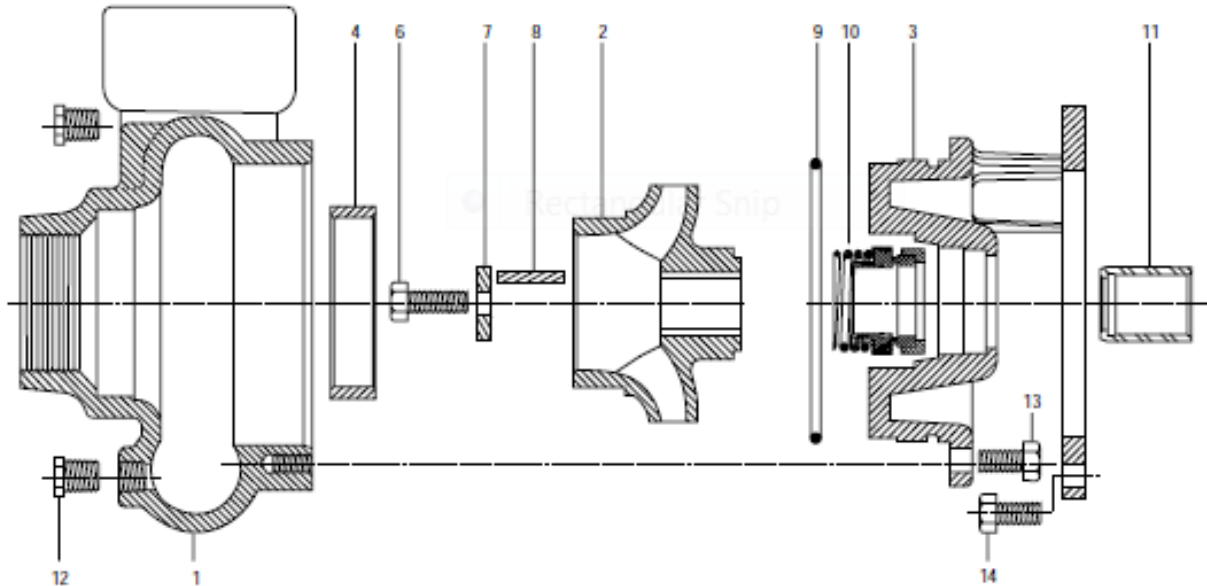


ITEM NO.	QTY	DESCRIPTION	MATERIAL	CWS P/N
1	4	Drain Plug - 1/4" NPT	Zinc Plated Steel	PPTG0400
2	1	Casing	Cast Iron	PPCI1324
3	1	Guide Vane Seal Ring	BUNA-N	PPGN5231
4	1	Diaphragm	Neoprene	PPGN5256
5	3	Screw Phillip Head 1/4"-20UNC	Stainless Steel	BTCS0403-1
6	1	Guidevane	Lexan 10% G.F.	PPGY7406
7	1	Impeller	Noryl 20% G.F.	IMGY2715
8	1	Mechanical Seal	Carbon/Ceramic Buna	MSG51010
9	1	Pump Foot	Steel	PPPF4408
10	1	Pump Foot Bolt	Steel	BHCP0603
11	1	Motor Adapter	Cast Iron	PPMA1310
12	4	Hex Head Bolt (adapter to casing)	Zinc Plated Steel	BHCP0805
13	4	Hex Head Bolt (adapter to motor)		BHCP0604
14	1	Deflector	BUNA-N	PPGS2700

NOTE: Reference Model GT07/GT073

ULTRA-SEP™ 500

60HZ PROCESS PUMP (PU2) BREAKDOWN



ITEM NO.	QTY	DESCRIPTION	MATERIAL	CWS P/N
1	1	Casing	Cast Iron	PPCI1612
2	1	Impeller (6.50)	Bronze	IMGB2761
3	1	Adapter	Cast Iron	PPMA1114
4	1	Wear Ring (casing)	Bronze	PPGB0468
5	n/a	Wear Ring (seal housing)	-	-
6	1	Impeller Bolt	AISI 303 Stainless Steel	PPGS1343
7	1	Impeller Washer		PPGS1339
8	1	Impeller Key		PPGS0411
9	1	Seal Housing O-Ring	BUNA-N	PPGN0574
10	1	Mechanical Seal	Carbon/Ceramic Buna	MSGS1013
11	1	Shaft Sleeve	AISI 300 SS	PPGS0466
12	4	Drain Plug - 1/4" NPT	Zinc Plated Steel	PPTG0400
13	8	Hex Head Bolt (adapter to casing)		BHCP0604
14	4	Hex Head Bolt (adapter to motor)		BHCP0604

SMART CELL OIL CONTENT DETECTOR SPARE PARTS

When ordering spares, it is important to supply details of the type of monitor, serial number of monitor, part number of each spare required, its description and any other relevant information.

RECOMMENDED ON-BOARD SPARES

Item	Qty	Part Number
Cell wiper ring	1	SBWR9039
Fuse 1.25A	1	SBFU9089
Solenoid valve (230V) or Solenoid valve (115V)	1	SBSV9059 SBSV9060

OTHER SPARES

Item	Qty	Part Number
Spare Smart Cell Assy Bilge	1	SBSC9171
Spare 110/240V Programmed Smart Bilge PCB Assy	1	SBBA9019
Membrane overlay	1	SBMO9030
LCD display module	1	SBDM9068
Smart Bilge Download Cable / Kit	1	SBDK0958
Calibration Verification Kit	1	SBVK0900



RECOMMENDED ON BOARD SPARES

ITEM NO.	QTY. REQD.	CWS PART NO.	DESCRIPTION
1	1	VRKD0800	SOLENOID VALVE, REPAIR KIT 1/2"
2	2	VCLD0040	SOLENOID VALVE, REPLACEMENT COIL, 120V
3	12	FCCU0520	DEPTH FILTER, 5 MICRON
4	1	FHAB1610-US	DEPTH FILTER ADAPTER
5	2	MCLN1511	SPIR-O-LATOR CLEANER, 4 GAL. / CASE
6	6	ASMS0000	SPIR-O-LATOR PRESERVATIVE, 2lbs EA.
7	1	MSG1010	PU1, MECHANICAL SEAL
8	1	MSG1013	PU2, MECHANICAL SEAL
9	1	SWVB0430	SWITCH, VAC. / LOW PRESS., 1/4"
10	1	SWMB0030	SWITCH, LOW PRESS., 1/4" 30PSI
11	1	SWAT0806	SWITCH, TEMP-NC 1/2"MNPT @ 125F
12	2	MHSK0415	SPIR-O-LATOR HOUSING SEAL KIT
13	2	MHEC0415	SPIR-O-LATOR HOUSING HEAD ASSEMBLY
14	1	OSPA0074	OIL SENSING PROBE, "A" US250 / US500