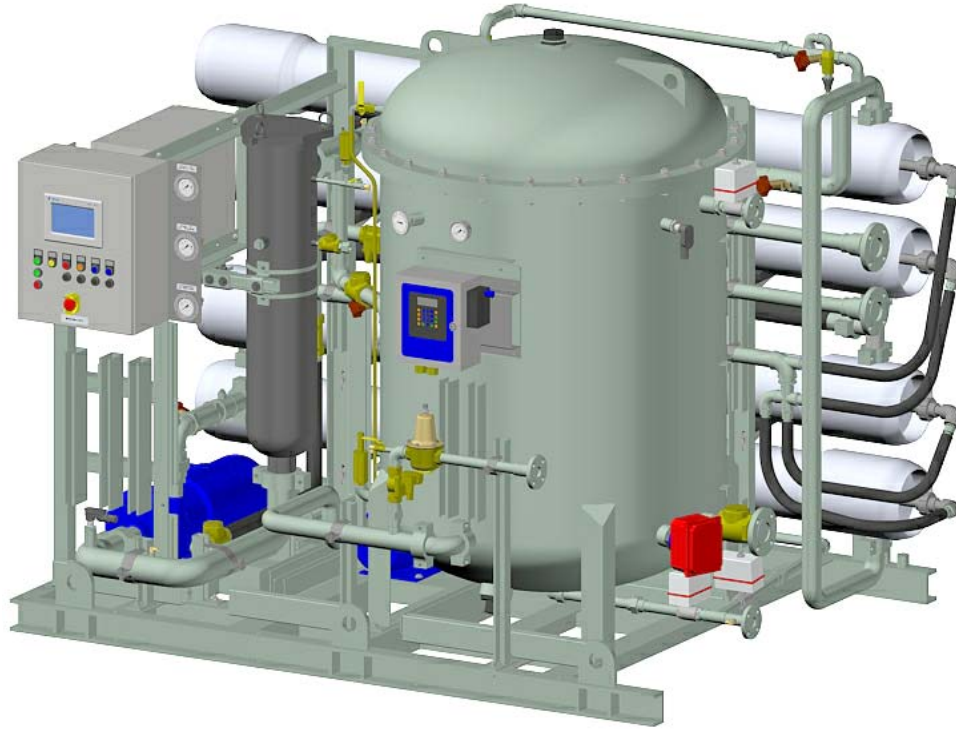


May 2016

**PARTS CATALOG
OIL WATER SEPARATOR
ULTRA-SEP MODEL 10000-AC-RACK**



Compass
water solutions

15542 Mosher Ave. Tustin, CA 92780 U.S.A.

WEB: compasswater.com

TEL: (949) 222-5777

FAX: (949) 222-5770



This parts catalog is a reference for all of the following Model numbers manufactured prior to the date of this document.

When ordering parts, be certain to include serial number and voltage of the Ultra-Sep model.

Model Number	Description
USBWS10000-AC	ULTRA-SEP OILY WATER SEPARATOR

For Electrical Control Panel and Motor Control Center,
Refer to your Operation and Maintenance Manual.

For assistance contact COMPASS at parts@compasswater.com

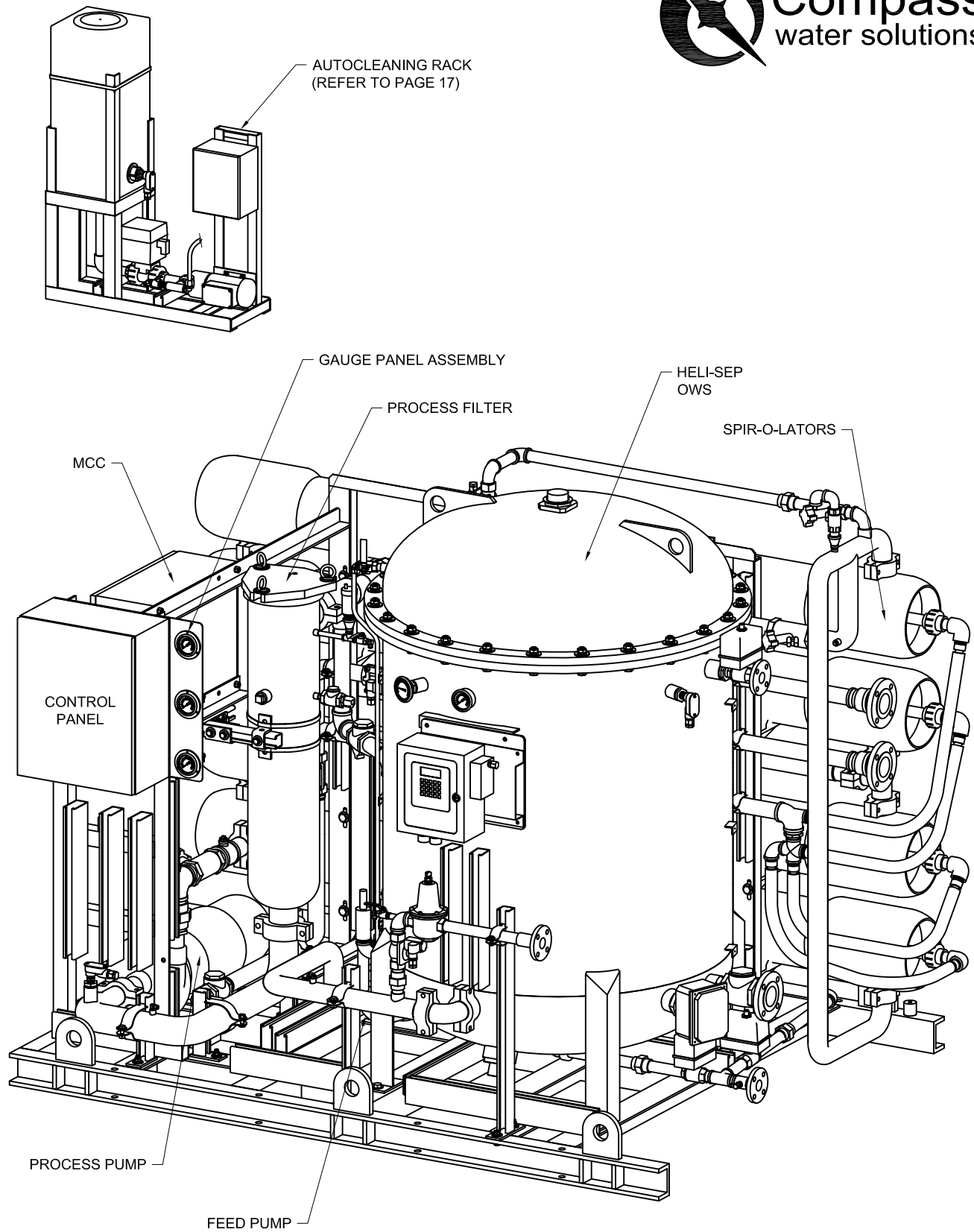
This parts book will cover all
Ultra-Sep system Serial numbers:

47593	47625	47631
47620	47626	

Some custom items may not be shown, refer to the
Installation and Operation Manual for your specific system

TABLE OF CONTENTS

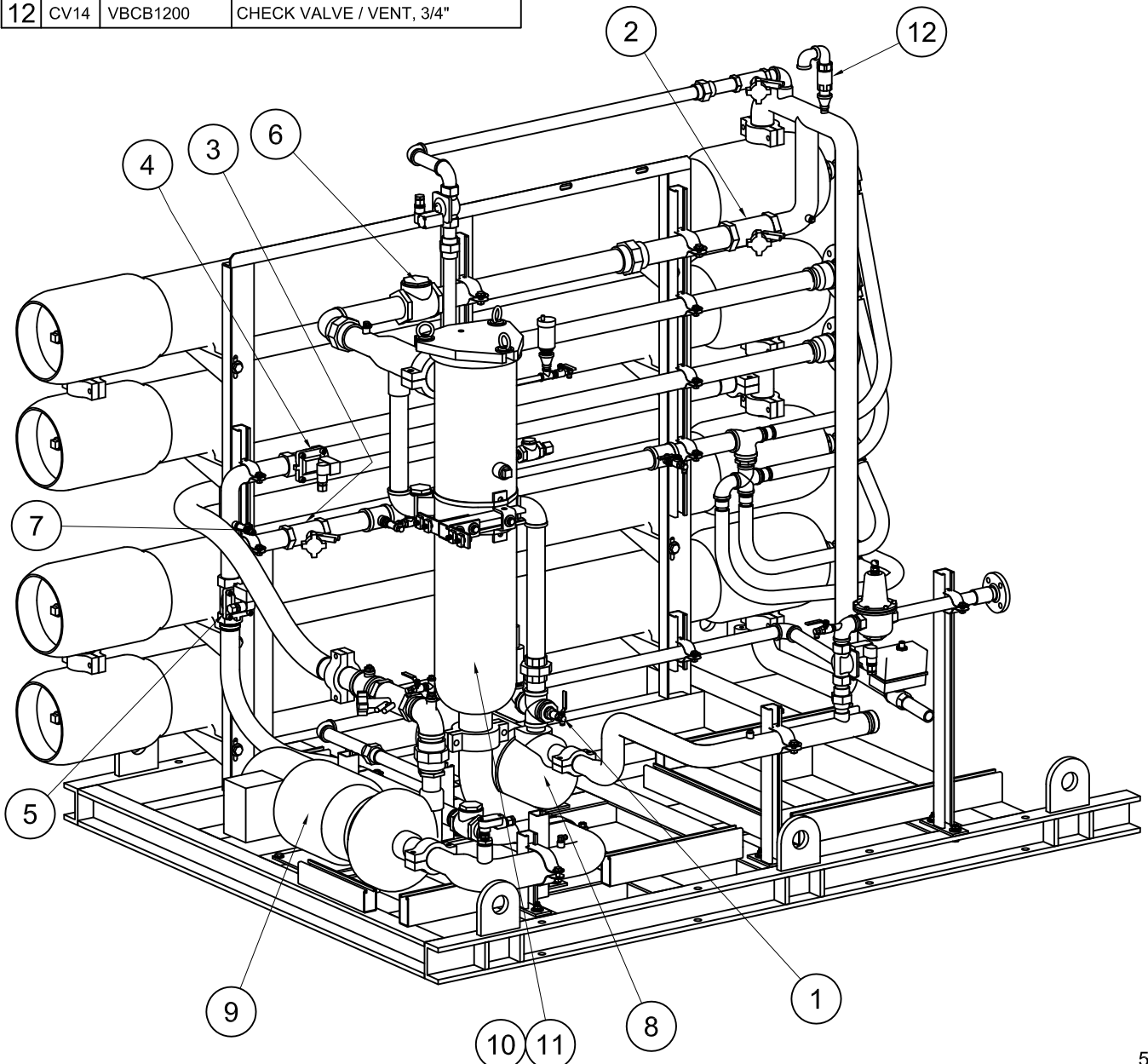
OVERVIEW	4
PARTS VIEW 1	5
PARTS VIEW 2	6
PARTS VIEW 3	7
GAUGE PANEL	8
SPIR-O-LATOR HOUSING	9
SPIR-O-LATOR FEED END	10
SPIR-O-LATOR CONC. END	11
HELI-SEP DETAILS	12
PUMP 1 (PU1) 50Hz PARTS	13
PUMP 1 (PU1) 60Hz PARTS	14
PUMP 2 (PU2) 50Hz PARTS	15
PUMP 2 (PU2) 60Hz PARTS	16
AUTOCLEANING RACK	17
DEPTH FILTER	18
RECOMMENDED ON BOARD SPARES	19



PARTS LIST



ITEM NO.	PART & ID #	CWS PART NO.	NOMENCLATURE OR DESCRIPTION
1	BV8	VBLB0400	BALL VALVE, 1/4" (SAMPLE)
2	GV2	VCTB3200	CONTROL VALVE, 2", CBV
3	GV3	VCTB2400	CONTROL VALVE, 1 1/2", CBV
4	SV1	VSDB2440	120V - SOLENOID VALVE, 1 1/2"
		VSDB2450	240V - SOLENOID VALVE, 1 1/2"
5	SV2	VSDB2440	120V - SOLENOID VALVE, 1 1/2"
		VSDB2450	240V - SOLENOID VALVE, 1 1/2"
6	CV3	VSCB3200	CHECK VALVE, SWING, 2"
7	CV8	VLCB0408	CHECK VALVE, LIFT, 1/4"
8	PU1	PMGI743302	50Hz - FEED PUMP / MOTOR
		PMGI7413015	60Hz - FEED PUMP / MOTOR
9	PU2	PMGI573310	50Hz - PROCESS PUMP / MOTOR
		PMGI571315	60Hz - PROCESS PUMP / MOTOR
10	FIL1	FHGB1730-USG	PROCESS FILTER HOUSING
11	FIL1	ORGN8000	PROCESS FILTER O-RING
12	CV14	VBCB1200	CHECK VALVE / VENT, 3/4"

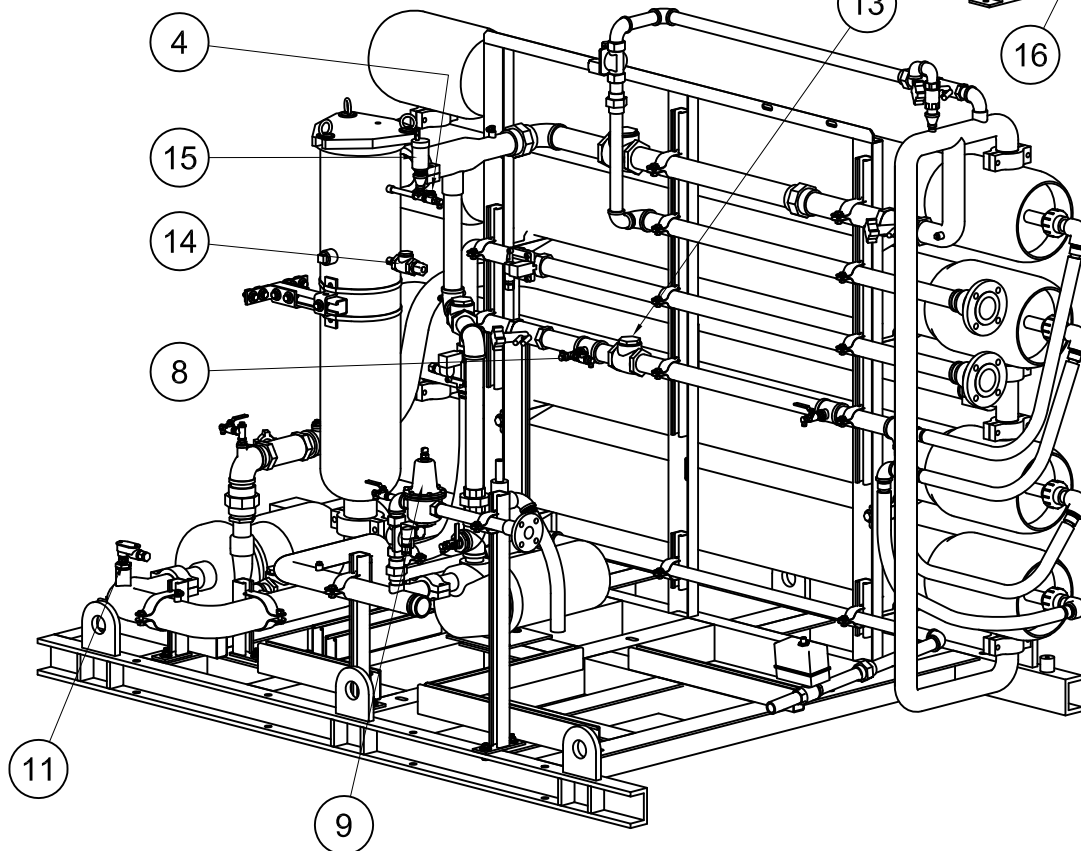
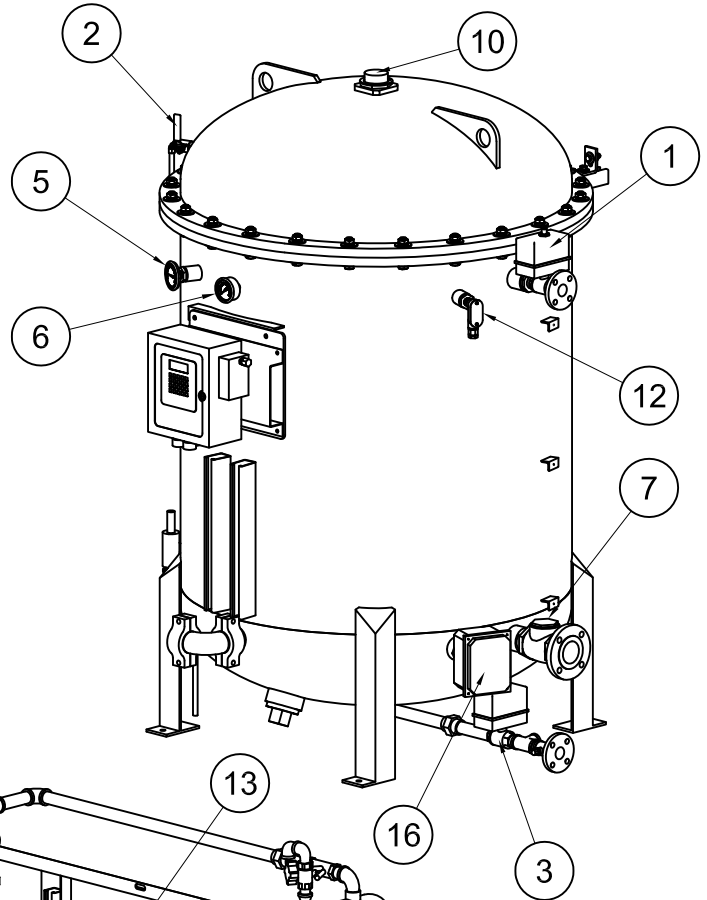


PARTS LIST



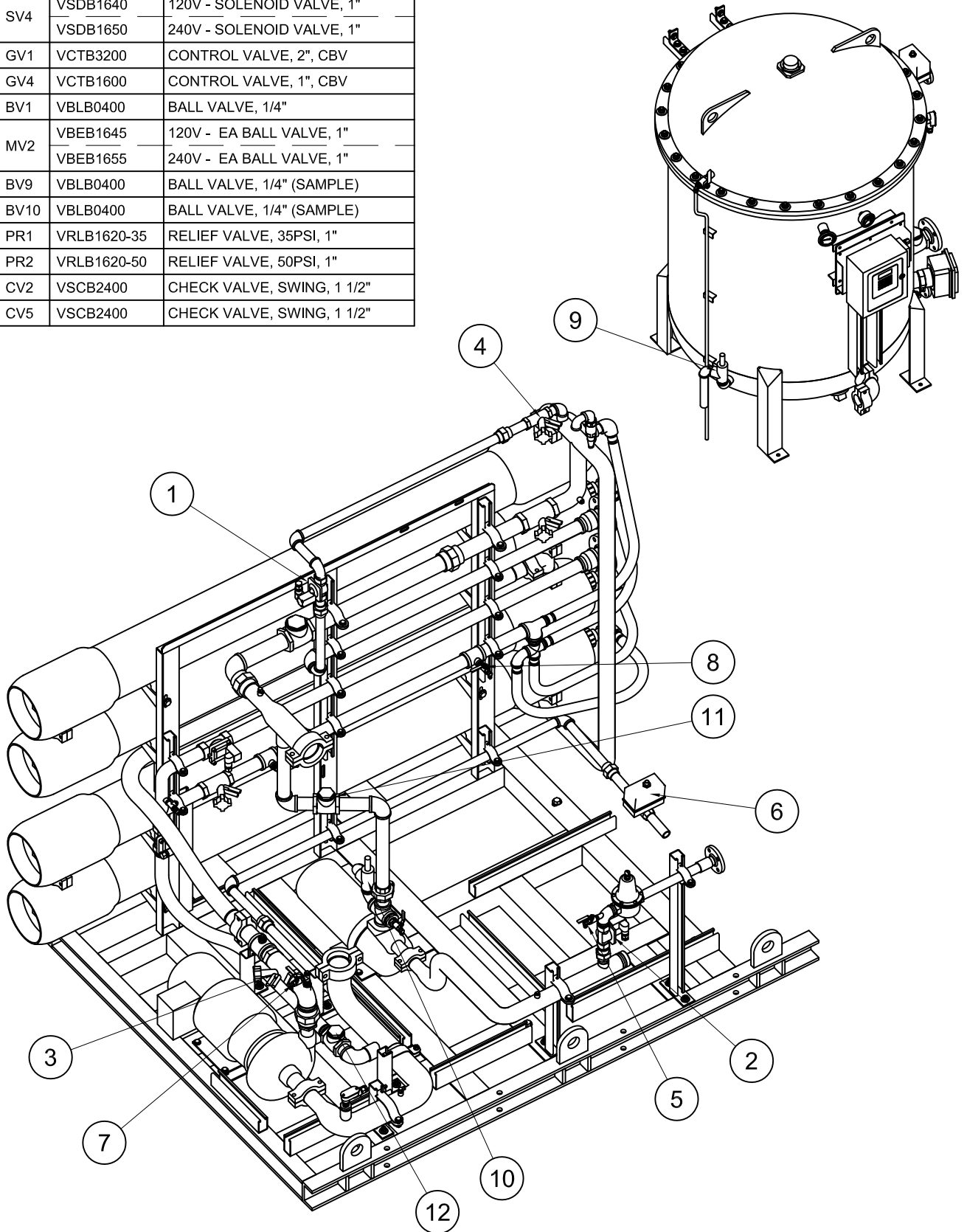
ITEM NO.	PART & ID #	CWS PART NO.	NOMENCLATURE OR DESCRIPTION
1	MV1	VBEB1645	120V - EA BALL VALVE, 1"
		VBEB1655	240V - EA BALL VALVE, 1"
2	BV2	VBLB0800	BALL VALVE, 1/2" (VENT)
3	MV3	VBEB1645	120V - EA BALL VALVE, 1"
		VBEB1655	240V - EA BALL VALVE, 1"
4	BV4	VBLB0400	BALL VALVE, 1/4" (VENT)
5	TG	GATK0832	TEMP. GAUGE, 0-250 F
6	PI1	GALK0424	PRESS. GAUGE, -30-0-60 PSI
7	CV1	VSCB3200	CHECK VALVE, SWING, 2"
8	CV7	VSCB0400	CHECK VALVE, SWING, 1/4"
9	RV1	VRGB1600	REGULATOR VALVE, 1"
10	OSP	OSPF0074	OIL SENSING PROBE "F", US10000
11	TSH1	SWAT0806	TEMP. SWITCH, 1/2"
12	TSH3	SWAT0806	TEMP. SWITCH, 1/2"
13	CV4	VSCB2400	CHECK VALVE, SWING, 1 1/2"
14	CV15	VSCB0800	CHECK VALVE, SWING, 1/2"
15	AE1	AVFV1004	AIR VENT / FLOAT VALVE, 3/4"
16	HTR	SEE TAB	IMMERSION HEATER 36"

(ITEM 16) IMMERSION HEATER, 36"	
VOLTAGE	PART NUMBER
380-415 / 50Hz / 3PH	HTEL3663
440-480 / 60Hz / 3PH	HTEL3683



PARTS LIST

ITEM NO.	PART & ID #	CWS PART NO.	NOMENCLATURE OR DESCRIPTION
1	SV3	VSDB1640	120V - SOLENOID VALVE, 1"
		VSDB1650	240V - SOLENOID VALVE, 1"
2	SV4	VSDB1640	120V - SOLENOID VALVE, 1"
		VSDB1650	240V - SOLENOID VALVE, 1"
3	GV1	VCTB3200	CONTROL VALVE, 2", CBV
4	GV4	VCTB1600	CONTROL VALVE, 1", CBV
5	BV1	VBLB0400	BALL VALVE, 1/4"
6	MV2	VBEB1645	120V - EA BALL VALVE, 1"
		VBEB1655	240V - EA BALL VALVE, 1"
7	BV9	VBLB0400	BALL VALVE, 1/4" (SAMPLE)
8	BV10	VBLB0400	BALL VALVE, 1/4" (SAMPLE)
9	PR1	VRLB1620-35	RELIEF VALVE, 35PSI, 1"
10	PR2	VRLB1620-50	RELIEF VALVE, 50PSI, 1"
11	CV2	VSCB2400	CHECK VALVE, SWING, 1 1/2"
12	CV5	VSCB2400	CHECK VALVE, SWING, 1 1/2"



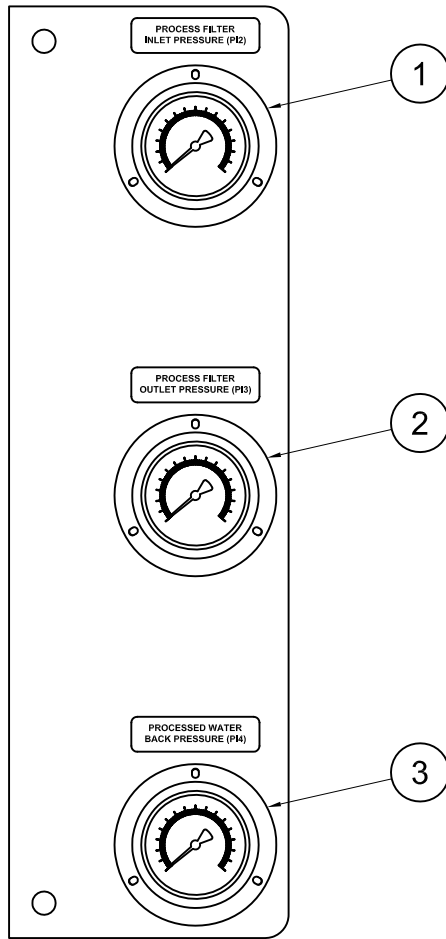
PARTS LIST

ITEM NO.	PART & ID #	CWS PART NO.	NOMENCLATURE OR DESCRIPTION
1	PI2	GALK0463	GAUGE, PSI 0-100, 2 1/2" D, FF
2	PI3	GALK0463	GAUGE, PSI 0-100, 2 1/2" D, FF
3	PI4	GALK0464	GAUGE, PSI 0-160, 2 1/2" D, FF
4	PSL1	SWVB0430	SWITCH VACUUM, 1/4" PRESET @ 5"Hg
5	PSL2	SWMB0030	SWITCH, LOW PRESS., 1/4" SET @ 30 PSI
6	30'	TUPE0400	TUBING, 1/4" BLACK POLYETHYLENE
7	10'	TUPE0401	TUBING, 1/4" RED POLYETHYLENE
8	10'	TUPE0402	TUBING, 1/4" BLUE POLYETHYLENE

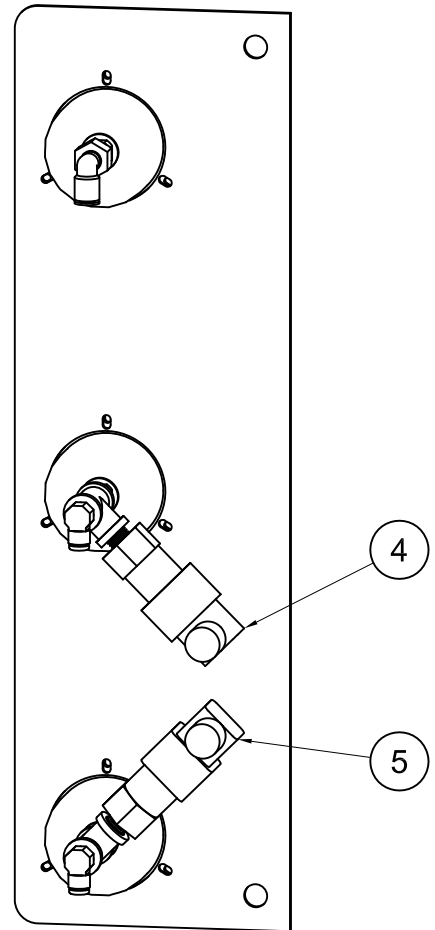


NOTES

1. ITEMS 6, 7, & 8 ARE NOT SHOWN
2. BLACK TUBING IS FOR CONNECTING PRESSURE GAUGES & SWITCHES TO THE FIELD PIPING LOCATIONS.
3. BLUE AND RED TUBING ARE FOR OCD CONNECTIONS.



FRONT VIEW

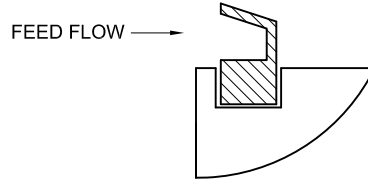


REAR VIEW

ULTRA-SEP A/C GAUGE PANEL

PARTS LIST

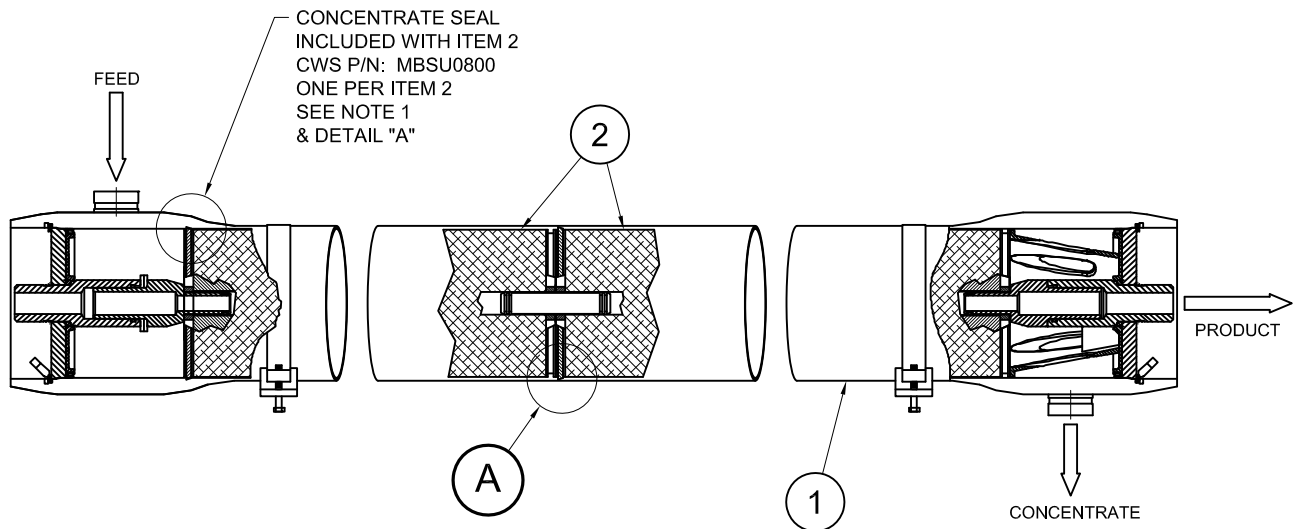
ITEM NO.	QTY. REQD.	CWS PART NO.	NOMENCLATURE OR DESCRIPTION
1	1	MHUP2840	MEMBRANE HOUSING, 8", 2L, 2" VIC 180°
2	2	MUFO0852	SPIR-O-LATOR, UF OWS 8" x 40"
3	2	JTMH0800	HOUSING HEAD REMOVAL TOOL (2 REQ)
4	1	JTMH0832	HOUSING 2" PORT REPAIR TOOL



DETAIL

A

IMPORTANT, NOTE
CONCENTRATE SEAL
ORIENTATION
(2 PLACES)



8" SPIR-O-LATOR HOUSING - DOUBLE ELEMENT

NOTES

1. THE CONCENTRATE SEAL END OF THE SPIR-O-LATOR MUST BE INSTALLED TOWARD THE HOUSING FEED AS SHOWN. SEE DETAIL "A".
2. ITEMS 3 AND 4 ARE TOOLS FOR HOUSING MAINTENANCE.

PARTS LIST

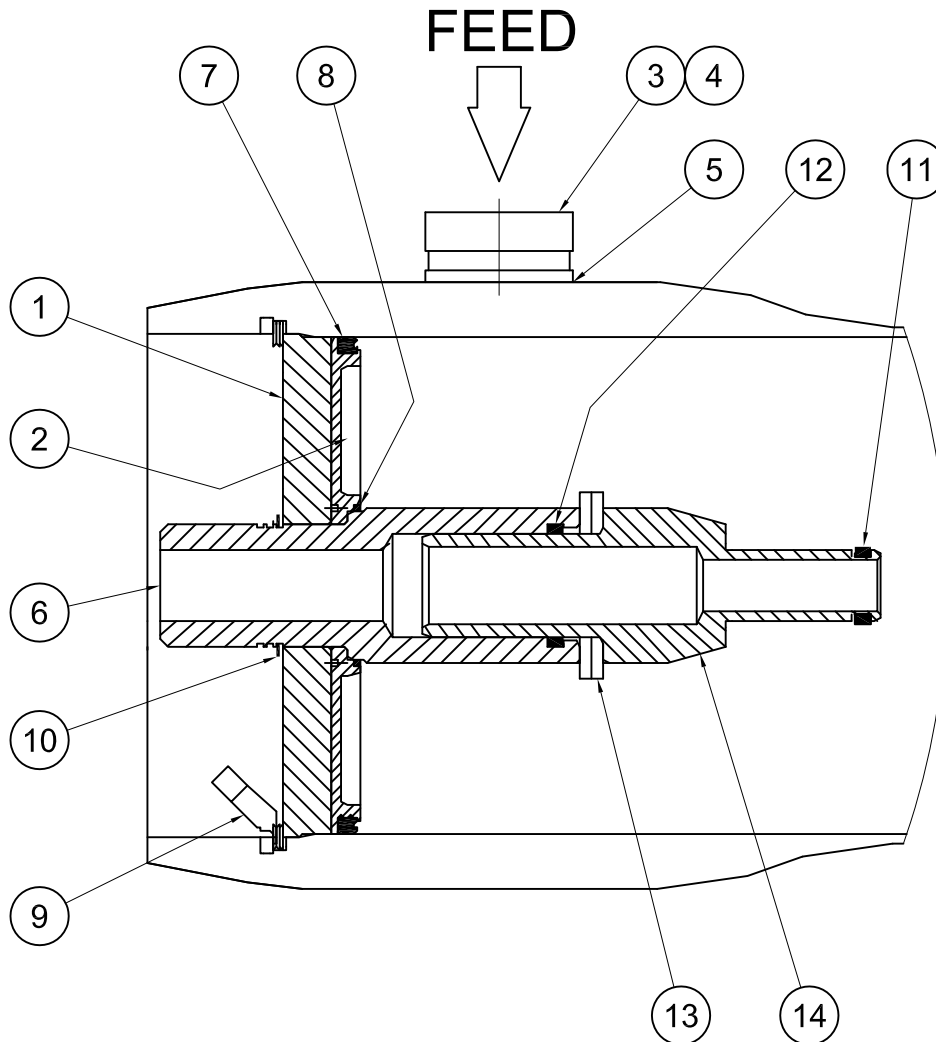


ITEM NO.	QTY. REQD.	CWS PART NO.	NOMENCLATURE OR DESCRIPTION
1	1	MHBP0815	BEARING PLATE
2	1	MHSP0815	SEAL PLATE
3	1	MHVP0890	FEED / CONCENTRATE PORT 2"
4	2	MHRP0890	RETAINING RING, FEED / CONCENTRATE PORT
5	1	MHSP0890	FEED / CONCENTRATE PORT SEAL
6	1	MHPP0815	PERMEATE PORT
7	1	MORN0442MK	HEAD SEAL
8	1	MORN0229	PERMEATE PORT SEAL
9	1	MHRR0815	HEAD RETAINING RING W/ FINGER PULL
10	1	MHPR0815	RETAINING RING, PERMEATE PORT
11	1	MORN0119-N	PWT SEAL, O-RING
12	1	MORN0326	ADAPTER SEAL, O-RING
13	2	MHSV0815	ADAPTER SPACERS, 3/16"
14	1	MADP0815	MEMBRANE ADAPTOR, 8"
15	1	MSPA0874	SUPPORT SADDLE, MOUNTING STRAP, & BOLTS

NOTES

1. ITEM 15 IS NOT SHOWN ON DRAWING.
2. ITEM 16 IS ONLY ON CONCENTRATE END OF HOUSING.

KIT	ITEMS CONTAINED	CWS PART NUMBER
COMPLETE HEAD	ITEMS 1,2,3,4,6,9,10,13,14,16	MHHK0815
SEAL KIT	ITEMS 5,7,8,11,12	MHSK0815



PARTS LIST

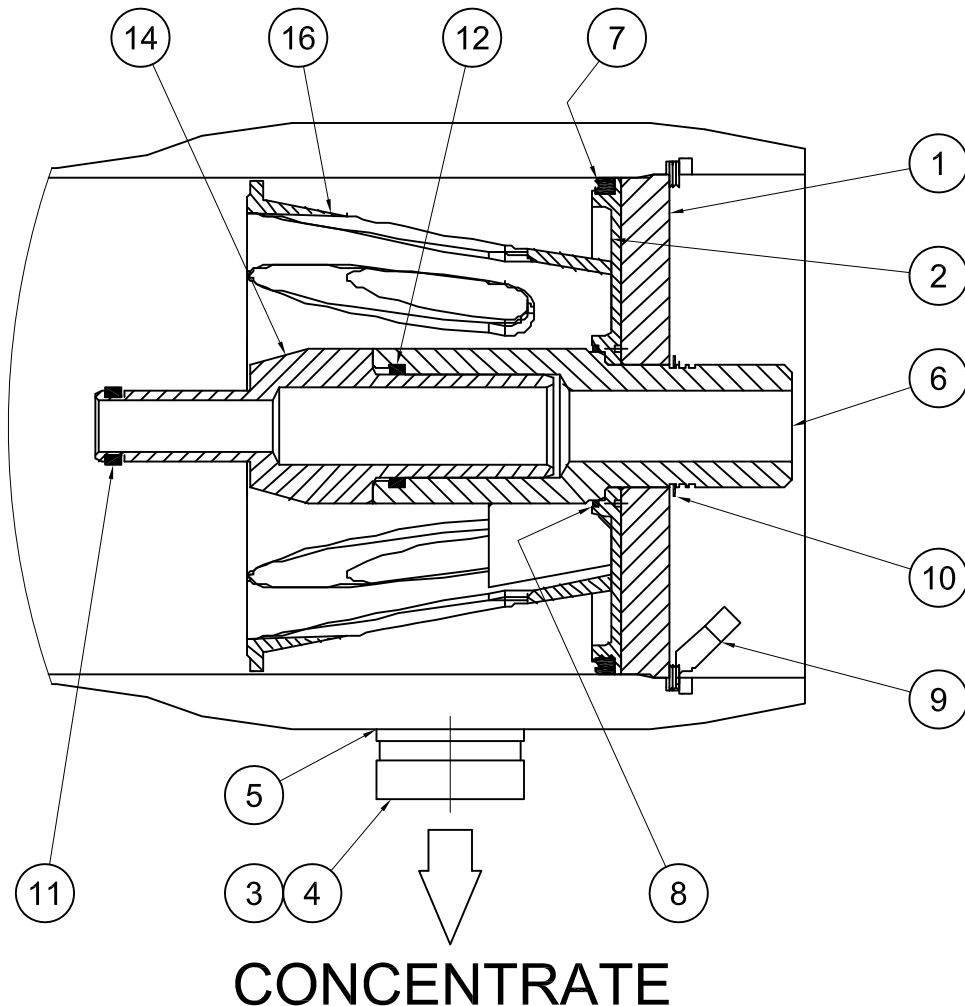


ITEM NO.	QTY. REQD.	CWS PART NO.	NOMENCLATURE OR DESCRIPTION
1	1	MHBP0815	BEARING PLATE
2	1	MHSP0815	SEAL PLATE
3	1	MHVP0890	FEED / CONCENTRATE PORT 2"
4	2	MHRP0890	RETAINING RING, FEED / CONCENTRATE PORT
5	1	MHSP0890	FEED / CONCENTRATE PORT SEAL
6	1	MHPP0815	PERMEATE PORT
7	1	MORN0442MK	HEAD SEAL
8	1	MORN0229	PERMEATE PORT SEAL
9	1	MHRR0815	HEAD RETAINING RING W/ FINGER PULL
10	1	MHPR0815	RETAINING RING, PERMEATE PORT
11	1	MORN0119-N	PWT SEAL, O-RING
12	1	MORN0326	ADAPTER SEAL, O-RING
13	2	MHSV0815	ADAPTER SPACERS, 3/16"
14	1	MADP0815	MEMBRANE ADAPTOR, 8"
15	1	MSPA0874	SUPPORT SADDLE, MOUNTING STRAP, & BOLTS
16	1	MHTR0815	THRUST CONE (ONLY ON CONCENTRATE END)

NOTES

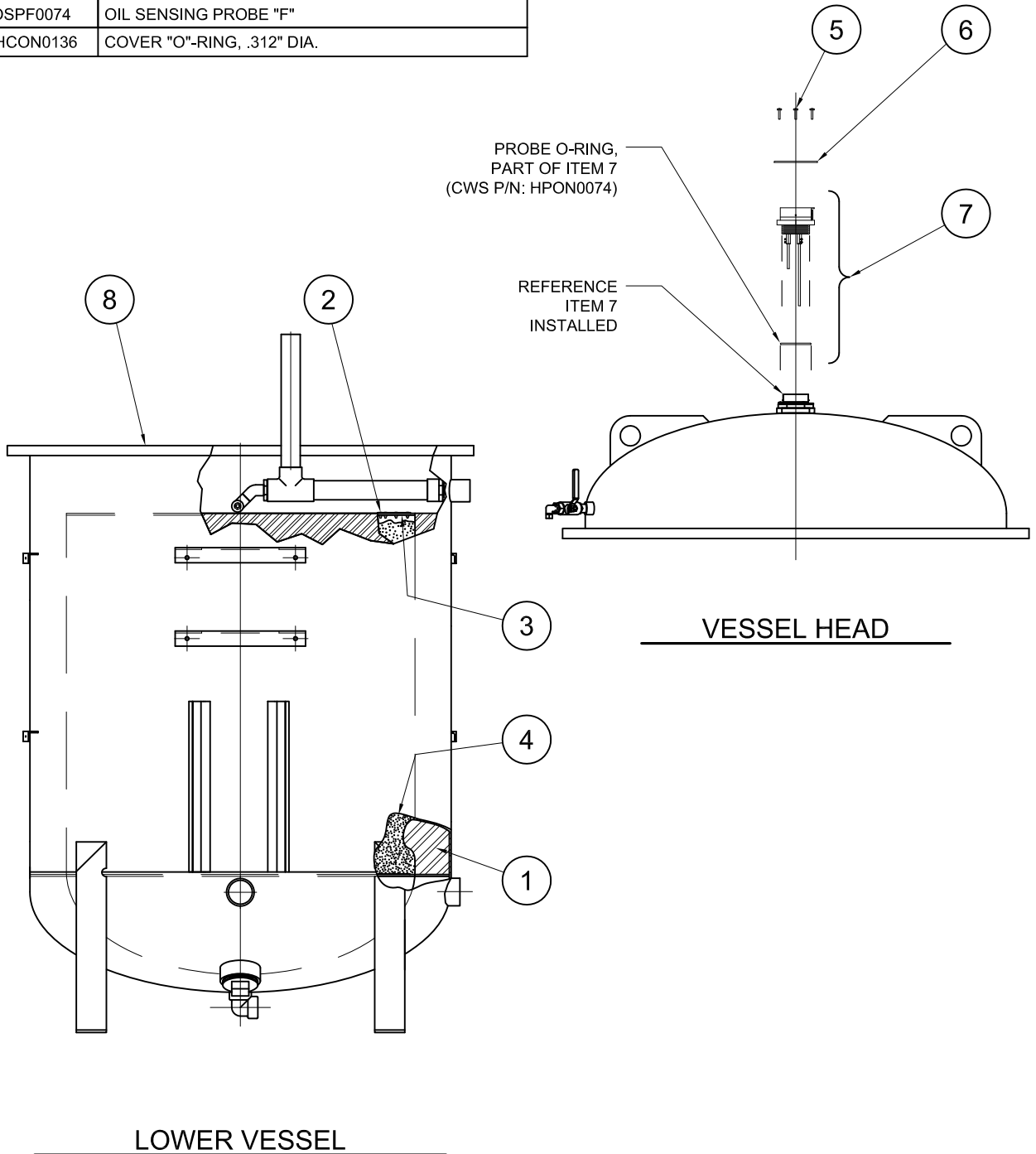
- ITEM 15 IS NOT SHOWN ON DRAWING.
- ITEM 16 IS ONLY ON CONCENTRATE END OF HOUSING.

KIT	ITEMS CONTAINED	CWS PART NUMBER
COMPLETE HEAD	ITEMS 1,2,3,4,6,9,10,13,14,16	MHHK0815
SEAL KIT	ITEMS 5,7,8,11,12	MHSK0815



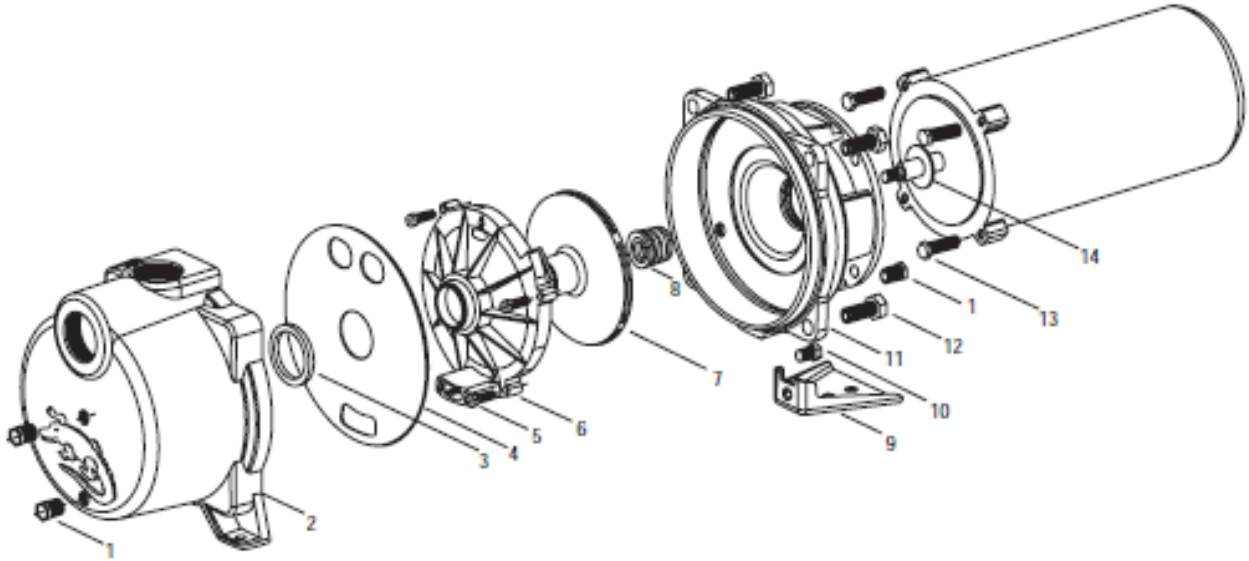
PARTS LIST

ITEM NO.	QTY. REQD.	CWS PART NO.	NOMENCLATURE OR DESCRIPTION
1	1	HSPP10067	OILY WATER PLATE PACK, MODELS 7500/10,000
2	26	RVTS0306	3/16" RIVET SS
3	1	HSSF0563	SCREEN -F
4	160 LBS	FMPB0001	FILTER BEADS
5	3	STCS0812	SCREWS 8/32 X 3/4 SS
6	1	HSPP0075	(OSP) OIL SENSING PROBE PLATE - (AS REQUIRED)
7	1	OSPF0074	OIL SENSING PROBE "F"
8	1	HCON0136	COVER "O"-RING, .312" DIA.



HELI-SEP 7500/10000 SUB-ASSEMBLY

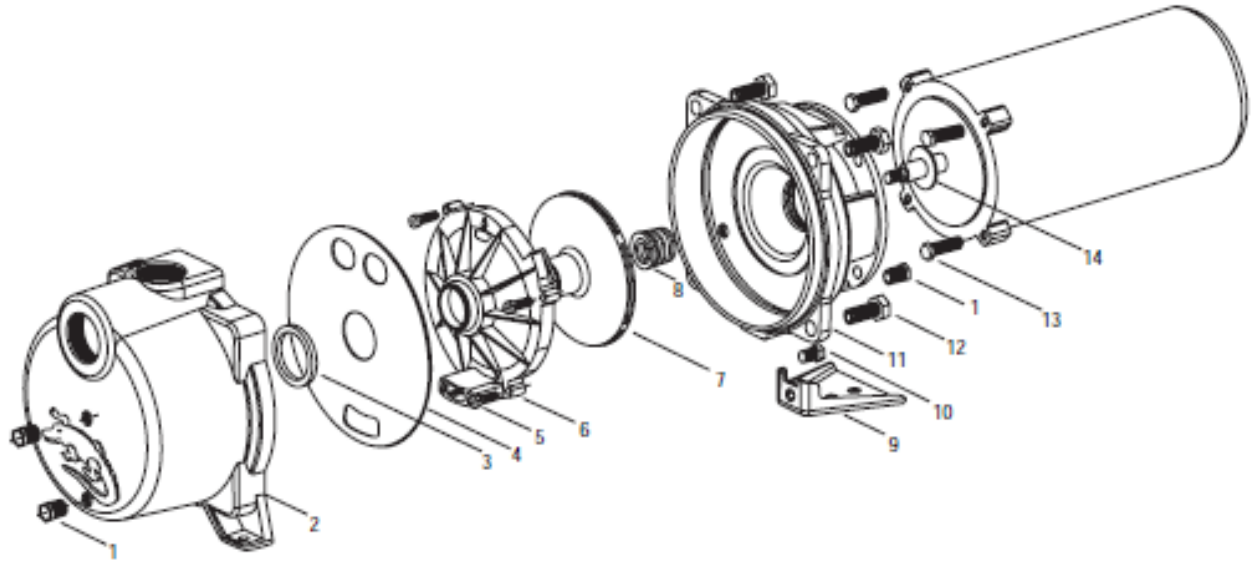
ULTRA-SEP™ 500 thru 10000 50HZ FEED PUMP (PU1) BREAKDOWN



ITEM NO.	QTY	DESCRIPTION	MATERIAL	CWS P/N
1	4	Drain Plug - 1/4" NPT	Zinc Plated Steel	PPTG0400
2	1	Casing	Cast Iron	PPCI1324
3	1	Guide Vane Seal Ring	BUNA-N	PPGN5231
4	1	Diaphragm	Neoprene	PPGN5256
5	3	Screw Phillip Head 1/4"-20UNC	Stainless Steel	BTCS0404
6	1	Guidevane	Lexan 10% G.F.	PPGY7406-2
7	1	Impeller	Noryl 20% G.F.	IMGY2713
8	1	Mechanical Seal	Carbon/Ceramic Buna	MSGS1010
9	1	Pump Foot	Steel	PPPF4408
10	1	Pump Foot Bolt	Steel	BHCP0603
11	1	Motor Adapter	Cast Iron	PPMA1310
12	4	Hex Head Bolt (adapter to casing)	Zinc Plated Steel	BHCP0805
13	4	Hex Head Bolt (adapter to motor)		BHCP0604
14	1	Deflector	BUNA-N	PPGS2700

NOTE: Reference Model GT20/GT203

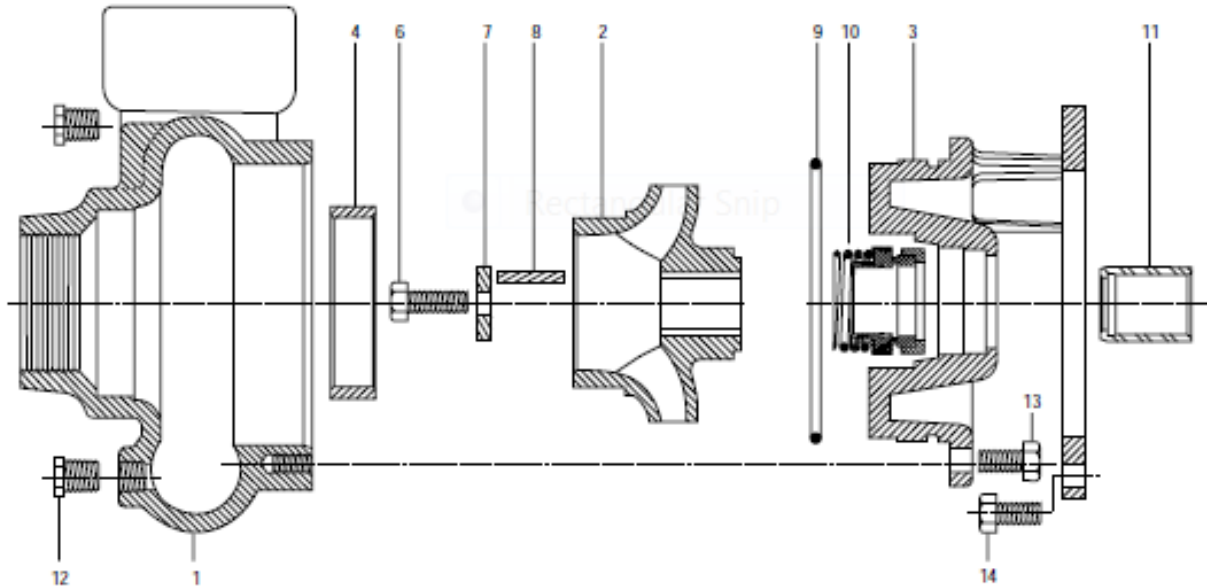
ULTRA-SEP™ 7500 & 10000 60HZ FEED PUMP (PU1) BREAKDOWN



ITEM NO.	QTY	DESCRIPTION	MATERIAL	CWS P/N
1	4	Drain Plug - 1/4" NPT	Zinc Plated Steel	PPTG0400
2	1	Casing	Cast Iron	PPCI1324
3	1	Guide Vane Seal Ring	BUNA-N	PPGN5231
4	1	Diaphragm	Neoprene	PPGN5256
5	3	Screw Phillip Head 1/4"-20UNC	Stainless Steel	BTCS0404
6	1	Guidevane	Lexan 10% G.F.	PPGY7406-2
7	1	Impeller	Noryl 20% G.F.	IMGY2714
8	1	Mechanical Seal	Carbon/Ceramic Buna	MSGS1010
9	1	Pump Foot	Steel	PPPF4408
10	1	Pump Foot Bolt	Steel	BHCP0603
11	1	Motor Adapter	Cast Iron	PPMA1310
12	4	Hex Head Bolt (adapter to casing)	Zinc Plated Steel	BHCP0805
13	4	Hex Head Bolt (adapter to motor)		BHCP0604
14	1	Deflector	BUNA-N	PPGS2700

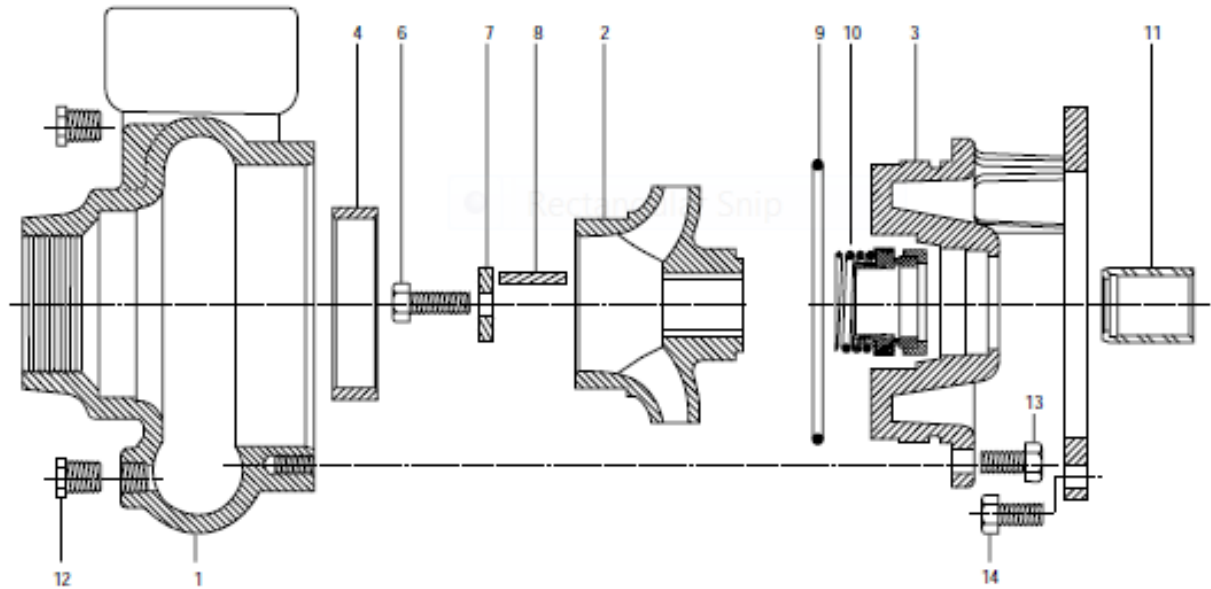
NOTE: Reference Model GT15/GT153

ULTRA-SEP™ 2000 thru 10000 50HZ PROCESS PUMP (PU2) BREAKDOWN



ITEM NO.	QTY	DESCRIPTION	MATERIAL	CWS P/N
1	1	Casing	Cast Iron	PPCI1102
2	1	Impeller (8.06)	Bronze	IMGB2345
3	1	Adapter	Cast Iron	PPMA1116
4	1	Wear Ring (casing)	Bronze	PPGB0468
5	n/a	Wear Ring (seal housing)	-	-
6	1	Impeller Bolt	AISI 303 Stainless Steel	PPGS1343
7	1	Impeller Washer		PPGS1339
8	1	Impeller Key		PPGS0411
9	1	Seal Housing O-Ring	BUNA-N	PPGN0574
10	1	Mechanical Seal	Carbon/Ceramic Buna	MSGS1013
11	1	Shaft Sleeve	AISI 300 SS	PPGS0466
12	4	Drain Plug - 1/4" NPT	Zinc Plated Steel	PPTG0400
13	8	Hex Head Bolt (adapter to casing)		BHCP0604
14	4	Hex Head Bolt (adapter to motor)		BHCP0806

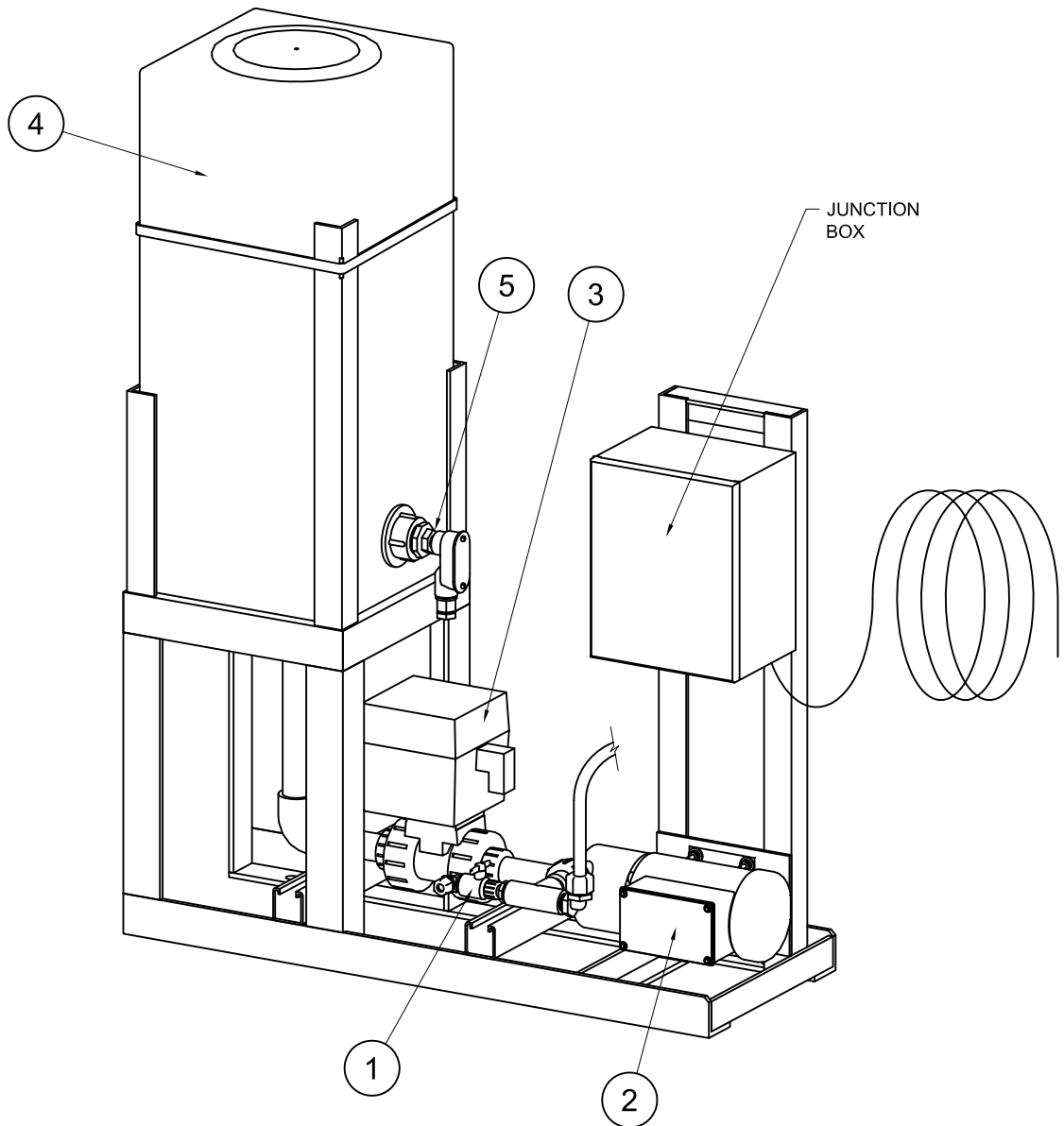
ULTRA-SEP™ 7500 & 10000 60HZ PROCESS PUMP (PU2) BREAKDOWN



ITEM NO.	QTY	DESCRIPTION	MATERIAL	CWS P/N
1	1	Casing	Cast Iron	PPCI1102
2	1	Impeller (7.00)	Bronze	IMGB2348
3	1	Adapter	Cast Iron	PPMA1116
4	1	Wear Ring (casing)	Bronze	PPGB0468
5	n/a	Wear Ring (seal housing)	-	-
6	1	Impeller Bolt	AISI 303 Stainless Steel	PPGS1343
7	1	Impeller Washer		PPGS1339
8	1	Impeller Key		PPGS0411
9	1	Seal Housing O-Ring	BUNA-N	PPGN0574
10	1	Mechanical Seal	Carbon/Ceramic Buna	MSGS1013
11	1	Shaft Sleeve	AISI 300 SS	PPGS0466
12	4	Drain Plug - 1/4" NPT	Zinc Plated Steel	PPTG0400
13	8	Hex Head Bolt (adapter to casing)		BHCP0604
14	4	Hex Head Bolt (adapter to motor)		BHCP0806

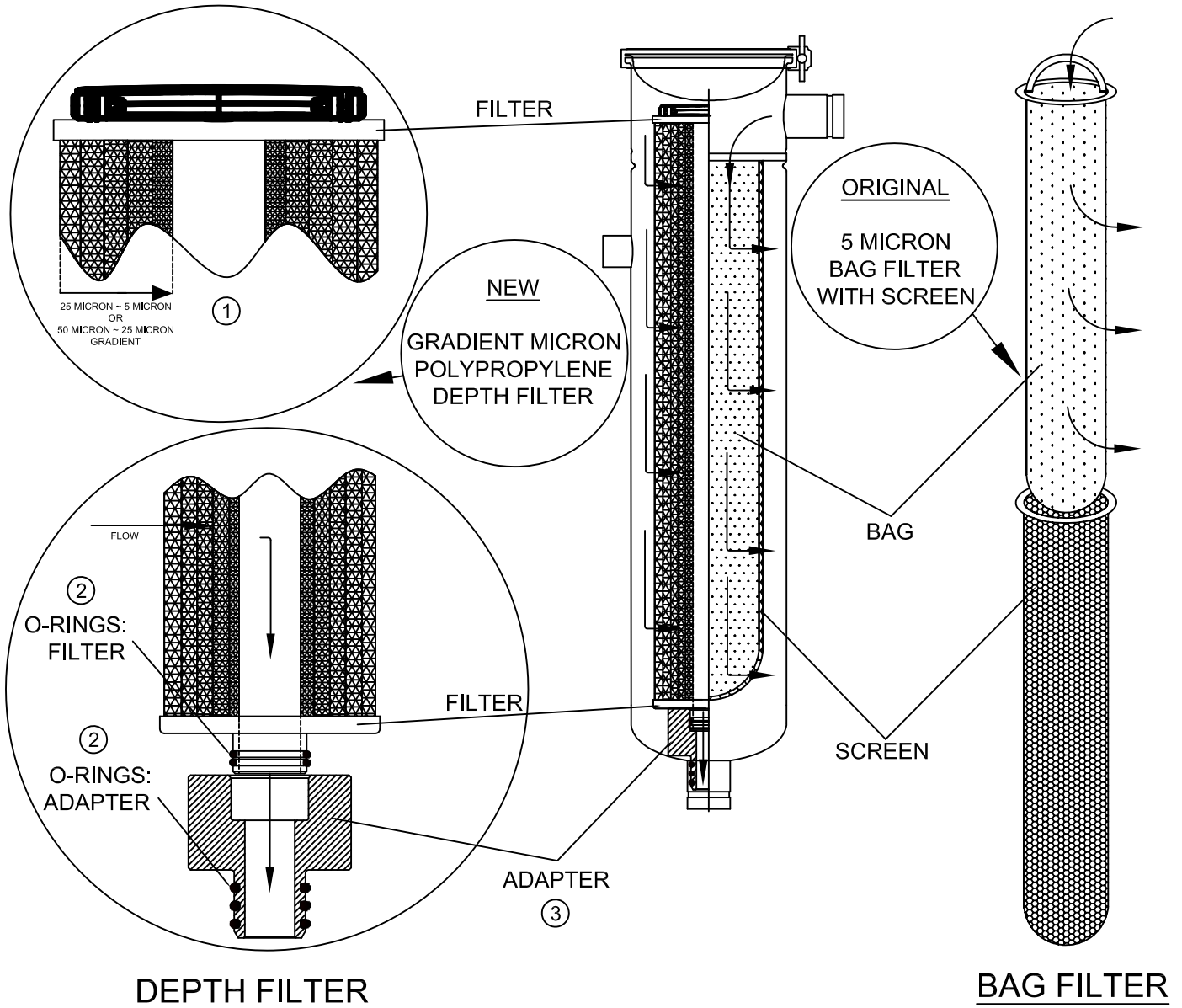
PARTS LIST

ITEM NO.	PART & ID #	CWS PART NO.	NOMENCLATURE OR DESCRIPTION
1	BV11	VBLX0400	BALL VALVE, 1/4" (VENT)
2	PU4	PMAC0001-US	CHEMICAL INJECTION PUMP
3	MV4	VBEX1600	MOTORIZED BALL VALVE, 1"
4	TK1	USCT2075	CHEMICAL TANK, 10 GAL.
5	LSL1	FLTS0808	LIQUID LEVEL SWITCH, 1/2"





DEPTH FILTER REPLACING BAG FILTER



DEPTH FILTER

BAG FILTER

ITEM	5 MICRON FITS ULTRA-SEP MODELS			25 MICRON DUPLEX PRE-FILTERS	
	US500C-1000C	US2000-5000	US7500&10000	ALL-US5000	US7500&10000
DEPTH FILTER	FCCU0520	FCCU0530	FCCU0540	FCCU2530	FCCU2540
③ INITIAL ADAPTER	FHAB1610-US	FHAB1720-US	FHAB1730-US	FHAB1720-US	FHAB1730-US
O-RINGS: FILTER	DRGN2225	DRGN2225	DRGN2225	DRGN2225	DRGN2225
O-RINGS: ADAPTER	DRGN2322	DRGN2326	DRGN2334	DRGN2326	DRGN2334

- ① THESE FILTERS WILL NOT FIT IN ASME HOUSINGS.
- ② ADAPTERS AND FILTERS INCLUDE O-RINGS.
- ③ ADAPTERS REQUIRED FOR INITIAL RETROFIT ONLY.

BENEFITS (DEPTH FILTER)

- REDUCED SPIR-O-LATOR CLEANING
- IMPROVED SPIR-O-LATOR PERFORMANCE
- ABSORBS OIL
- MORE DIRT/OIL LOADING CAPACITY
- LESS BY-PASS POTENTIAL

RECOMMENDED ON BOARD SPARES

ITEM NO.	QTY. REQD.	CWS PART NO.	DESCRIPTION
1	1	VRKD1600	SOLENOID VALVE, REPAIR KIT 1"
2	1	VRKD2400	SOLENOID VALVE, REPAIR KIT 1 1/2"
3	2	VCLD0040	SOLENOID VALVE, REPLACEMENT COIL, 120V
		VCLD0050	SOLENOID VALVE, REPLACEMENT COIL, 240V
4	12	FCCU0540	DEPTH FILTER, 5 MICRON
5	1	FHAB1730-US	DEPTH FILTER ADAPTER
6	4	MCLN1511	SPIR-O-LATOR CLEANER, 4 GAL. / CASE
7	12	ASMS0000	SPIR-O-LATOR PRESERVATIVE, 2lbs EA.
8	1	MSGS1010	PU1, MECHANICAL SEAL
9	1	MSGS1013	PU2, MECHANICAL SEAL
10	1	SWVB0430	SWITCH, VAC. / LOW PRESS., 1/4"
11	1	SWMB0030	SWITCH, LOW PRESS., 1/4" 30PSI
12	1	SWAT0806	SWITCH, TEMP-NC 1/2"MNPT @ 125F
13	4	MHSK0815	SPIR-O-LATOR HOUSING SEAL KIT
14	4	MHHK0815	SPIR-O-LATOR HOUSING HEAD ASSEMBLY
15	1	OSPF0074	OIL SENSING PROBE, "F" US10000