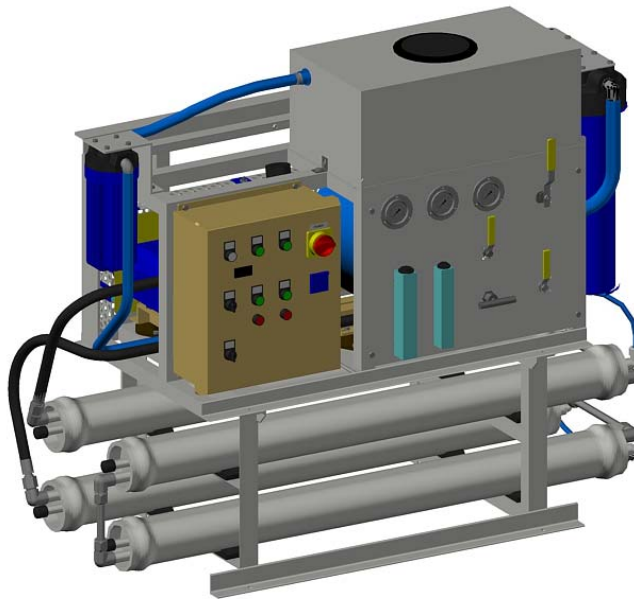


November 2015

**PARTS CATALOG  
SEA WATER DESALINATOR  
AQUA-SEP SERIES II  
MODELS 14-16 TPD**



**Compass**  
water solutions

**15542 Mosher Ave. Tustin, CA 92780 U.S.A.**

**WEB: [compasswater.com](http://compasswater.com)**

**TEL: (949) 222-5777**

**FAX: (949) 222-5770**

This parts catalog is a reference for all of the following Model numbers and Serial numbers manufactured prior to the date of this document.

<b>Model Number</b>	<b>Description</b>
ASSD1425214-MCS	AQUA-SEP SERIES II, 14 TPD
ASSD1525215-MCS	AQUA-SEP SERIES II, 15 TPD
ASSD1625216-MCS	AQUA-SEP SERIES II, 16 TPD

**Serial Numbers:**

33395	33438	33504
33402	33447	33506
33410	33451	33507
33411	33452	33508
33412	33460	33516
33413	33461	33542
33434	33499	33576

# **COMPONENT PART NUMBERS & DESCRIPTIONS**

NOTE: Some items listed are optional and may not be included on your Aqua-Sep system

<b><u>ITEM</u></b>	<b><u>COMPONENT NAME</u></b>	<b><u>DESCRIPTION</u></b>
1.	Control Box (Various)	Houses the electrical controls, wiring and safety switches. <b>Refer to System Manual</b> For Control Box Drawings. (fig #1)
2.	Membrane Housings & Membrane Elements	High pressure housing for spiral wound membranes. Reject dissolved solids. Only pure water permeates the membranes. Converts seawater to potable water. Housings: <b>MHSA1440</b> Element: <b>MSHH0441-H</b> (fig #1 & #8)
3.	Cleaning Solution Filter	Removes silt and sediment from cleaning solution. Filter Element: <b>FCAE3010</b> , Filter Housing: <b>FCHQ7010</b> (fig #1 & #4)
4.	Desalinator Frame	Serves to mount the system and houses the piping and booster pump/motor. (fig #1)
5.	Cleaning Solution Tank Assy.:	Tank for mixing cleaning solution. (Full Assy. <b>ASCT120110</b> ) (Tank Only <b>ASCT100175</b> ) (fig #4)
6.	Operating Pressure Gauge Assy.	Indicates system operating pressure. <b>ASOG120705</b> (Gauge only <b>GALK0438</b> , High Press. Switch <b>SWMS0015</b> ) (fig #3)
7.	Feed Pressure Gauge Assy.	Indicates the cartridge filter outlet and booster pump inlet pressure. <b>ASFG120705</b> (Gauge only <b>GALK0406</b> , Low Press. Switch <b>SWMS0005</b> ) (fig #3)
8.	Inlet Pressure Gauge Assy.	Indicates the cartridge filter inlet pressure. <b>ASIG120705</b> (Gauge Only <b>GALK0406</b> ) (fig #3)
9.	Operate/Clean Inlet Valve Assy.	Diverts flow during operating or cleaning mode. <b>ASIV120705</b> (fig #3)
10.	Operate/Clean Outlet Valve Assy.	Diverts flow during operating or cleaning mode. <b>ASOV120705</b> (fig #3)
11.	Cleaning Tank Drain Valve Assy.	Used to drain the cleaning solution tank. <b>ASDV120705</b> (fig #3)
12.	Pressure Control Valve Assy.	Variable orifice back pressure valve. Maintains system feedwater pressure sufficient to permeate the membranes. <b>ASCV120705</b> (fig #3)

## COMPONENT PART NUMBERS & DESCRIPTIONS

NOTE: Some items listed are optional and may not be included on your Aqua-Sep system

<u>ITEM</u>	<u>COMPONENT NAME</u>	<u>DESCRIPTION</u>
13.	Flowmeter "Product Water"	Provides instantaneous indication of product water production in gallons per minute and liters per minute. <b>FMTR50500</b> (fig #3)
14.	Flowmeter "Reject Water"	Provides instantaneous indication of water being rejected in gallons per minute and liters per minute. <b>FMTR50750</b> (fig #3)
15.	Cartridge Filter Housing	Contains replaceable filter cartridge (5 micron). Filter Housing: <b>FCHQ1520</b> Filter Element: <b>FCCH0520</b> (fig #7)
16.	Cartridge Filter Housing	Contains replaceable filter cartridge (20 micron). Filter Housing: <b>FCHQ1520</b> Filter Element: <b>FCCH2020</b> (fig #7)
17	Booster Pump / Motor Assy.	Complete Pump/Motor Assy. (fig #5 & #6) 380-415/50Hz: <b>ASBP120704-50</b> 440-480/60Hz: <b>ASBP120704-60</b>
18.	Electric Motor	5 H.P. motor with 184T Frame (fig #5 & #6) <b>MTRL1305</b>
19.	Booster Pump	Plunger style Pump Frame 5 (fig #5 & #6) <b>PUCS1051</b>
20.	Pulsation Dampener	600 P.S.I., ½" <b>PPDS0815</b> (fig #5 & #6)
21.	Pressure Relief Valve	¼" Stainless Steel Valve Body Valve <b>VRHS0400</b> Aqua-Sep Set Spring (750-1500 PSI) <b>ASPS0001</b> (fig #5 & #6)
22.	Motor Mounts	Vibration Dampeners. <b>VBIR0507</b> (fig #5)
23.	Motor Drive Belts	<b>DBBX59</b> (2x) (fig #5)
24.	Motor Tension System	Securing Bar: <b>ASSR120769</b> (fig #5) Motor Bar: <b>ASTR120769</b> Bolts: <b>ASTB120769</b> (2x)
25.	Product Valve Assy.	Controls Direction of flow based on the quality of the Processed Water. (fig #7) 120 VAC – <b>ASPV120705-120</b> 220 VAC – <b>ASPV120705-220</b>
26.	Solenoid Valve (1/2"),	120 VAC – <b>VSDB0840</b> (fig #7) 220 VAC – <b>VSDB0850</b>

## **COMPONENT PART NUMBERS & DESCRIPTIONS**

NOTE: Some items listed are optional and may not be included on your Aqua-Sep system

<b><u>ITEM</u></b>	<b><u>COMPONENT NAME</u></b>	<b><u>DESCRIPTION</u></b>
27	TDS Probe	Checks quality of processed water. (fig #7) <b>MPCS1000</b>
28.	Drain Manifold	<b>ASDM120705</b> (fig #7)
29.	High Pressure Hose Assy. (3/4" x JIC-37°)	These are made to fit. Please indicate "End to End" measurement. Replace "___" in part number with length in inches. <b>ASHA1 ___</b> (fig #8) [Example: <b>ASHA1075</b> = 75 inches long]
30.	Misc. Hoses & Tubing Details	Product Tubing (3/8" x 1/4" I.D.) <b>TUVC0406</b> 5/8" Tubing (Vinyl Braid) <b>TUVB1000</b> 1" Tubing (Vinyl Braid) <b>TUVB1600</b> [Refer to Drawing 120708-MSD For Full Details]

## **PART NUMBERS & DESCRIPTIONS**

NOTE: Some items listed are optional and may not be included on your Aqua-Sep system

<b>ITEM</b>	<b>PART NUMBER</b>	<b>DESCRIPTION</b>
A.	<b>FCAE3010</b>	Cleaning Filter Element
B.	<b>ASCT100175</b>	Cleaning Tank (Tank Only – No Fittings)
C.	<b>PNXS0800</b> (3x)	Pipe Nipple, SS, Sch 80, ½” x Close
D.	<b>PTXS0800</b> (2x)	Pipe Tee, #3000, SS, ½”
E.	<b>PEXS0800</b>	Pipe Elbow, #3000, SS, ½”
F.	<b>PBTS0804</b> (2x)	Pipe Bushing, SS, ½” x ¼”
G.	<b>PNTS0400</b>	Pipe Nipple, SS, ¼” x Close
H.	<b>PEGX0800</b>	Pipe Adapter Elbow, PVC Sch 80, ½” Hose x FNPT
I.	<b>FCMS120837</b>	Flare Connector, ½” MNPT x ¾” - 37° Hose
J.	<b>PNTS1210</b> (2x)	Pipe Nipple, SS, ¾” x 2 ½” Long
K.	<b>PTTS1200</b>	Pipe Tee, SS, ¾”
L.	<b>PAHX1612</b> (2x)	Pipe Adapter, PVC Sch 80, 1” Hose x ¾” MNPT
M.	<b>FTEM0402</b>	Fast & Tite Elbow, ¼” Tube x 1/8” MNPT
N.	<b>ASSE100563</b>	Suction Elbow (Fabricated) ¾”
O.	<b>PNTS1200</b>	Pipe Nipple, SS, ¾” x Close
P.	<b>PPPX1600</b> (1’)	Pipe, 1” PVC Sch 80 (order 1 foot)
Q.	<b>PQSX1600</b>	Pipe Cap, PVC Sch 80
R.	<b>PETS1200</b>	Pipe Elbow, SS, ¾”
S.	<b>PSTS1200</b>	Pipe Street Elbow, SS, ¾”
T.	<b>PPTS0800</b>	Pipe Plug, SS, ½”
U.	<b>PETS0800</b>	Pipe Elbow, SS, ½”
V.	<b>PUTS0800</b>	Pipe Union, SS, ½”
W.	<b>PNTS0800</b> (6x)	Pipe Nipple, SS, ½” x Close

## **PART NUMBERS & DESCRIPTIONS**

NOTE: Some items listed are optional and may not be included on your Aqua-Sep system

<b><u>ITEM</u></b>	<b><u>PART NUMBER</u></b>	<b><u>DESCRIPTION</u></b>
X.	<b>PAHX0812</b>	Pipe Adapter, 1/2" Hose x 3/4" MNPT
Y.	<b>PTTX1200</b>	Pipe Tee, PVC Sch 80, 3/4"
Z.	<b>PBTX1208</b>	Pipe Bushing, Threaded PVC, 3/4" x 1/2"
AA.	<b>PTTS1200</b>	Pipe Tee, SS, 3/4"
BB.	<b>FTEM0608</b>	Fast & Tite Elbow, 3/8" Tube x 1/2" MNPT
CC.	<b>FEFS1237</b> (2x)	Flare Elbow, 3/4" x 37° Hose
DD.	<b>PQTX0800</b> (4x)	Pipe Cap, 1/2" Threaded
EE.	<b>FTEF0800</b> (4x)	Fast & Tite Elbow, 1/2" Tube x FNPT
FF.	<b>CEFS1200</b> (6x)	Compression Elbow, 3/4" Tube x FNPT
GG.	<b>TUSS1200</b>	Tubing, 3/4"
HH.	<b>MSDA0400</b> (8x)	Membrane Saddle 4"
I I.	<b>FTTR0800</b>	Fast & Tite Run Tee, 1/2" Tube x MNPT
J J.	<b>PTTX0800</b>	Pipe Tee, Threaded PVC Sch 80, 1/2"
KK.	<b>PNTX0800</b>	Pipe Nipple, PVC Sch 80, 1/2" x Close

## **CONSUMABLES & REBUILD PARTS**

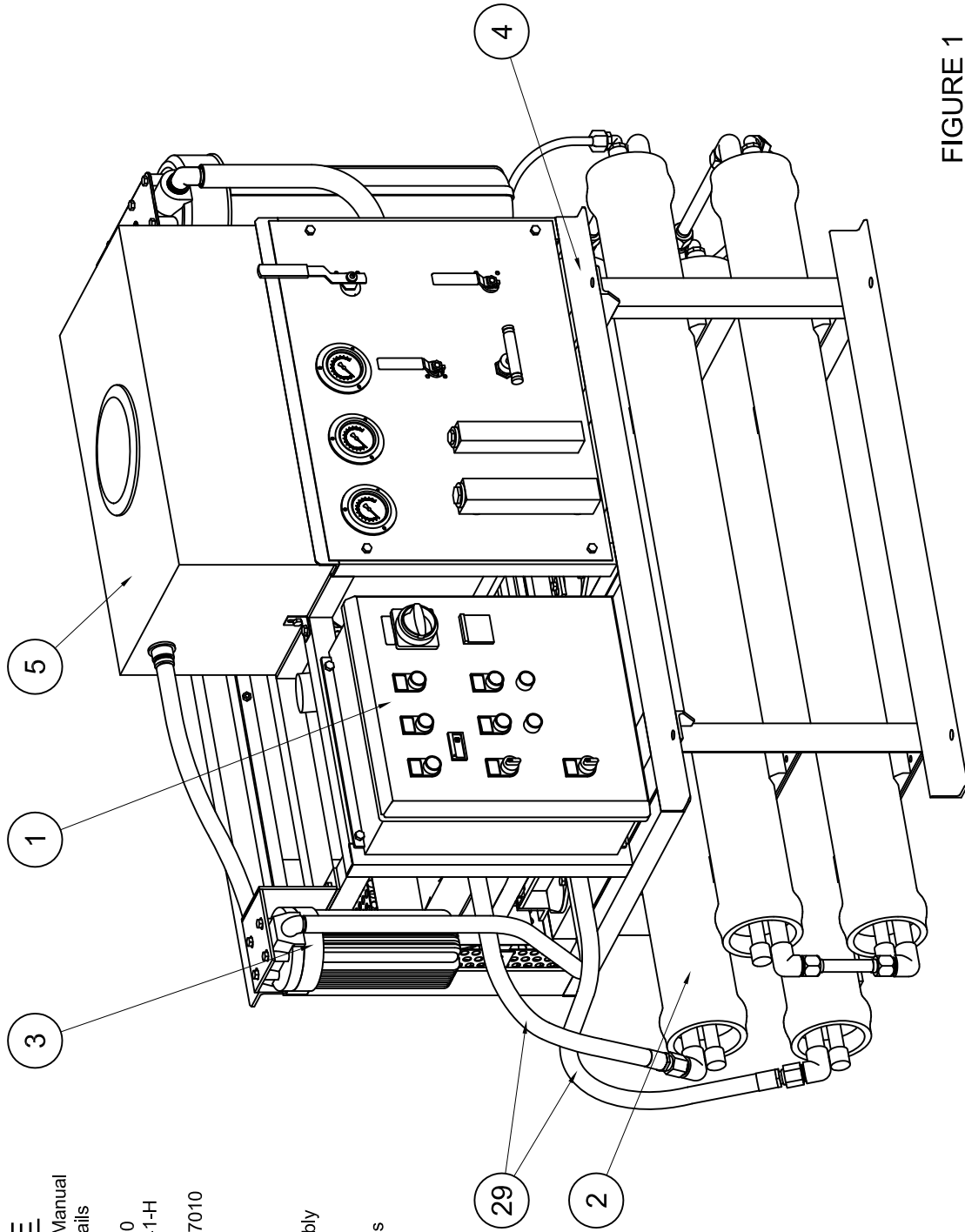
NOTE: Some items listed are optional and may not be included on your Aqua-Sep system

<b><u>PART NUMBER</u></b>	<b><u>DESCRIPTION</u></b>
<b>PCVK4152</b>	Booster Pump Valve Kit, Cat 1051
<b>PCSK0987</b>	Booster Pump Seal Kit, Cat 1051
<b>ORGN1122</b>	O-Ring, BB Filters
<b>ORGN1120</b>	O-Ring, Cleaning Filter
<b>ASAC1000</b>	Aqua-Sep Membrane Cleaner – Acid 2 lbs. (Mix 2 lbs. with 15 gallons of Water)
<b>ASAL2000</b>	Aqua-Sep Membrane Cleaner – Alkaline 2 lbs. (Mix 1 lb. with 15 gallons of Water)
<b>SBSP0001</b>	Aqua-Sep Preservative, Sodium Bisulfate 50 lbs. pail
<b>FCAE3010</b>	Cleaning Filter
<b>FCCH0520</b>	Filter Element: (5 micron) x 20” Long, BB
<b>FCCH2020</b>	Filter Element: (20 micron) x 20” Long, BB
<b>FCWQ1500</b>	Filter Housing Wrench, BB
<b>VRKD0800</b>	Solenoid Valve Rebuild Kit ½”



**ITEM COMPONENT NAME**

1. Control Box - Refer to System Manual For Control Box / Electrical Details
2. Membrane Housing: MHA1440  
Membrane Element: MSHH0441-H
3. Cleaning Solution Filter: FCHQ7010  
Filter Element: FCAE3010
4. Desalinator Frame
5. Cleaning Solution Tank Assembly  
ASCT120110
29. High Pressure Hose Assemblies  
(Refer to Figure #8)

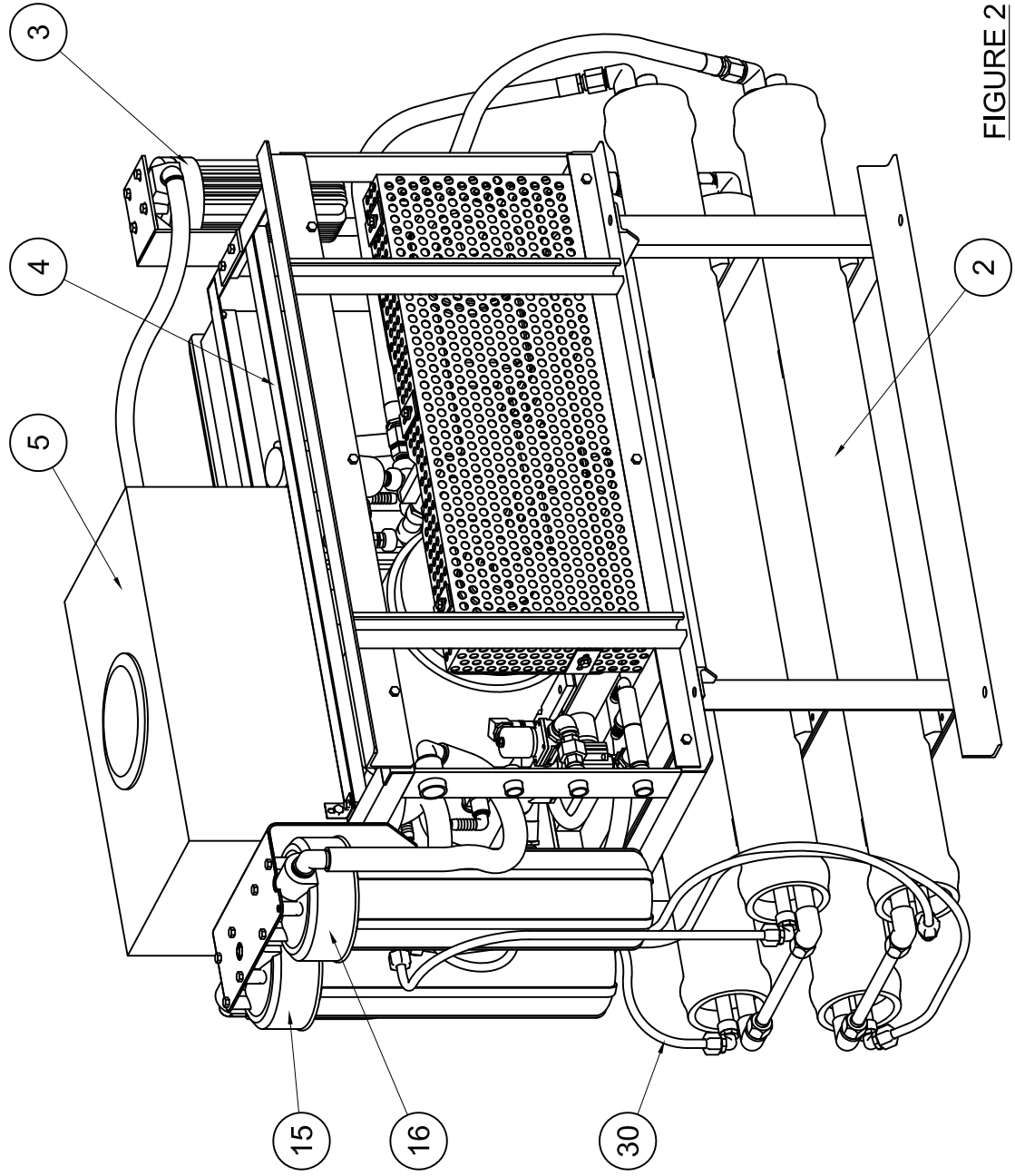


**FIGURE 1**

Sea Water Desalinator  
Front Iso View  
AQUA-SEP S2, 14-16

**ITEM COMPONENT NAME**

- 2. Membrane Housing: MHSA1440  
Membrane Element: MSHH0441-H
- 3. Cleaning Solution Filter: FCHQ7010  
Filter Element: FCAE3010
- 4. Desalinator Frame
- 5. Cleaning Solution Tank Assembly  
ASCT120110
- 15. Cartridge Filter Housing: FCHQ1520  
Filter (5 Micron) FCCH0520
- 16. Cartridge Filter Housing: FCHQ1520  
Filter (20 Micron) FCCH2020
- 30. Misc. Hose and Tubing Details  
(See Drawing 120708-MSC)

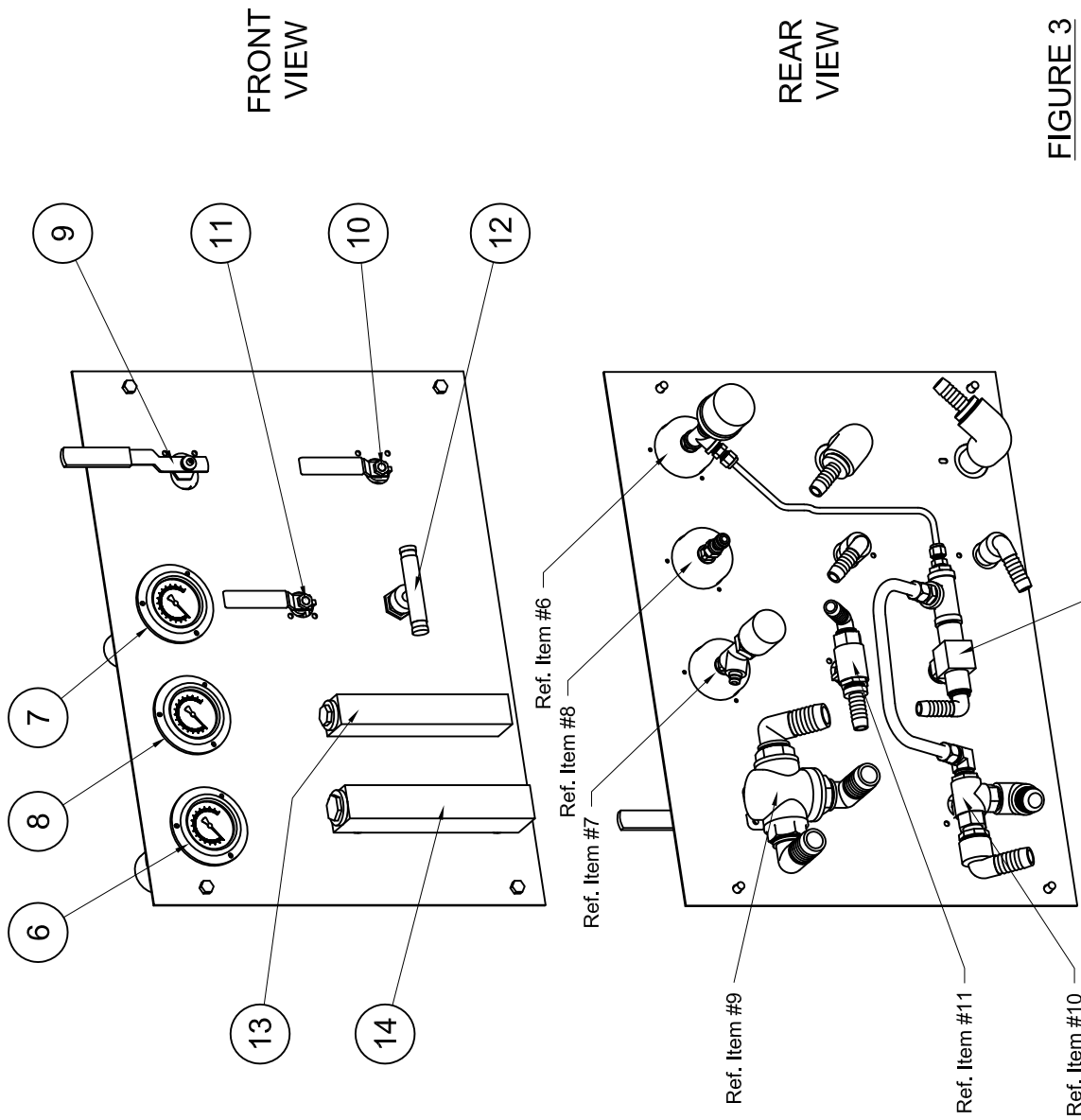


**FIGURE 2**

Sea Water Desalinator  
Rear Iso View  
AQUA-SEP S2, 14-16

**ITEM COMPONENT NAME**

- 6. Operating Pressure Gauge Assembly ASOG120705
- 7. Feed Pressure Gauge Assembly ASFG120705
- 8. Inlet Pressure Gauge Assembly ASIG120705
- 9. Operate / Clean Inlet Valve Assembly ASIV120705
- 10. Operate / Clean Outlet Valve Assembly ASOV120705
- 11. Cleaning Tank Drain Valve Assembly ASDV120705
- 12. Pressure Control Valve Assembly ASCV120705
- 13. Flowmeter - Product Water FMTR50500
- 14. Flowmeter - Reject Water FMTR50750



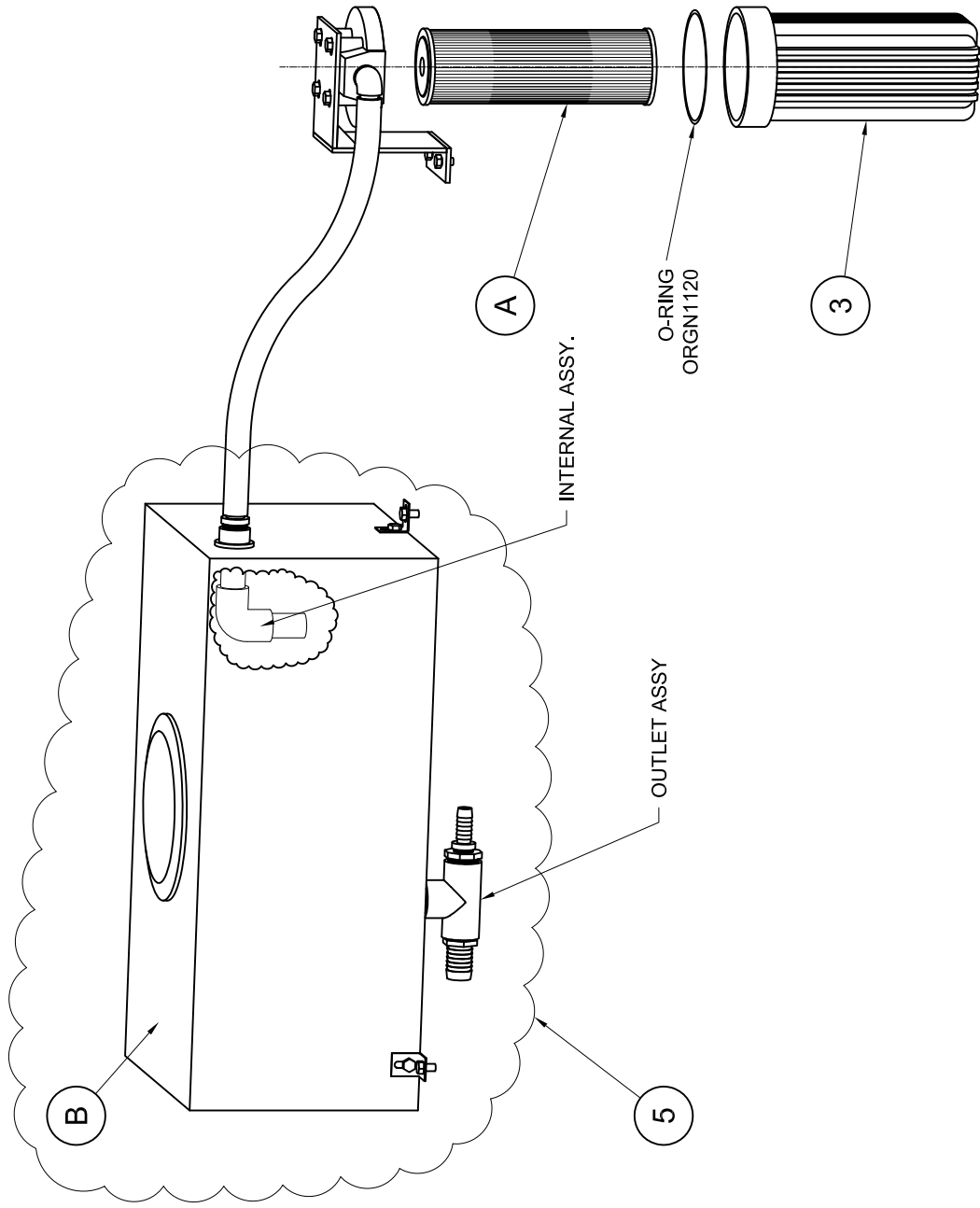
**NOTE:**

For Connections Details & Tubing callouts  
Refer to Drawing 120708-MSC

**FIGURE 3**

**ITEM COMPONENT NAME**

- 3. Cleaning Solution Filter Housing  
FCHQ7010
- 5. Cleaning Solution Tank Assembly  
ASCT120110
- OUTLET ASSY:  
PNTX1600  
PTTX1600  
PBTX1608  
PAHX1600  
PAHX0800
- INTERNAL ASSY:  
PNTX1200  
PETX1200  
PNTX1216
- A. Cleaning Filter Element  
FCAE3010
- B. Cleaning Tank (Tank Only)  
ASCT100175

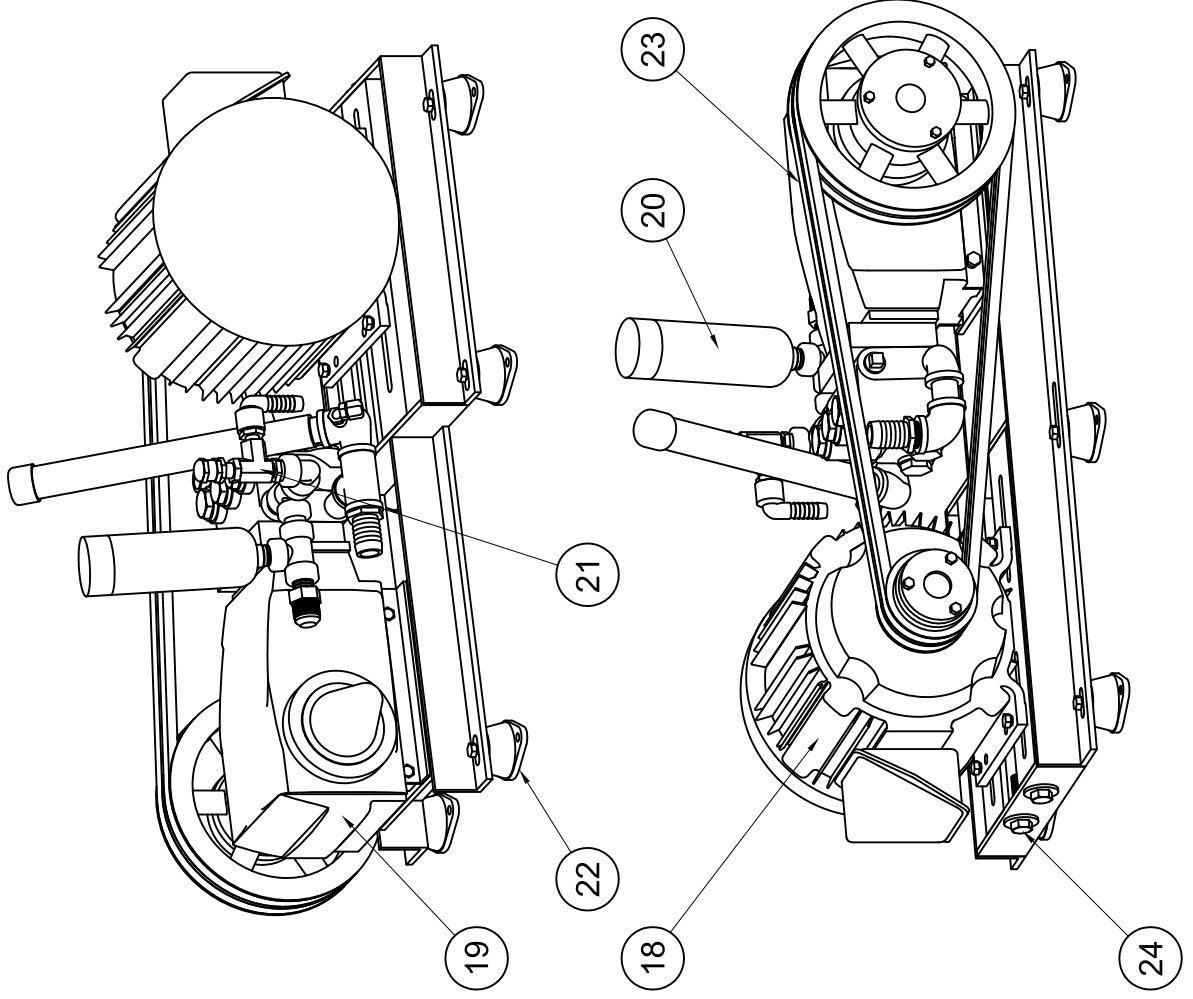


**FIGURE 4**

Sea Water Desalinator  
Cleaning Tank  
AQUA-SEP S2, 07-20

**ITEM COMPONENT NAME**

- 17. Booster Pump / Motor Assembly  
(Complete as Shown)  
380-415 / 50Hz: ASBP120704-50  
440-480 / 60Hz: ASBP120704-60
- 18. Electric Motor, 5 H.P.  
MTRL1305
- 19. Booster Pump, Plunger  
PUCS1051
- 20. Pulsation Dampener, 600 PSI  
PPDS0815
- 21. Pressure Relief Valve  
Valve Body: VRHS0400  
Valve Spring: ASPS0001
- 22. Motor Mounts  
VBIR0507
- 23. Drive Belt  
DBBX59 (2x)
- 24. Motor Tensioning System  
Bolts: ASTB120769 (2x)  
Securing Bar: ASSR120769  
Motor Bar: ASTR120769



**NOTE:**

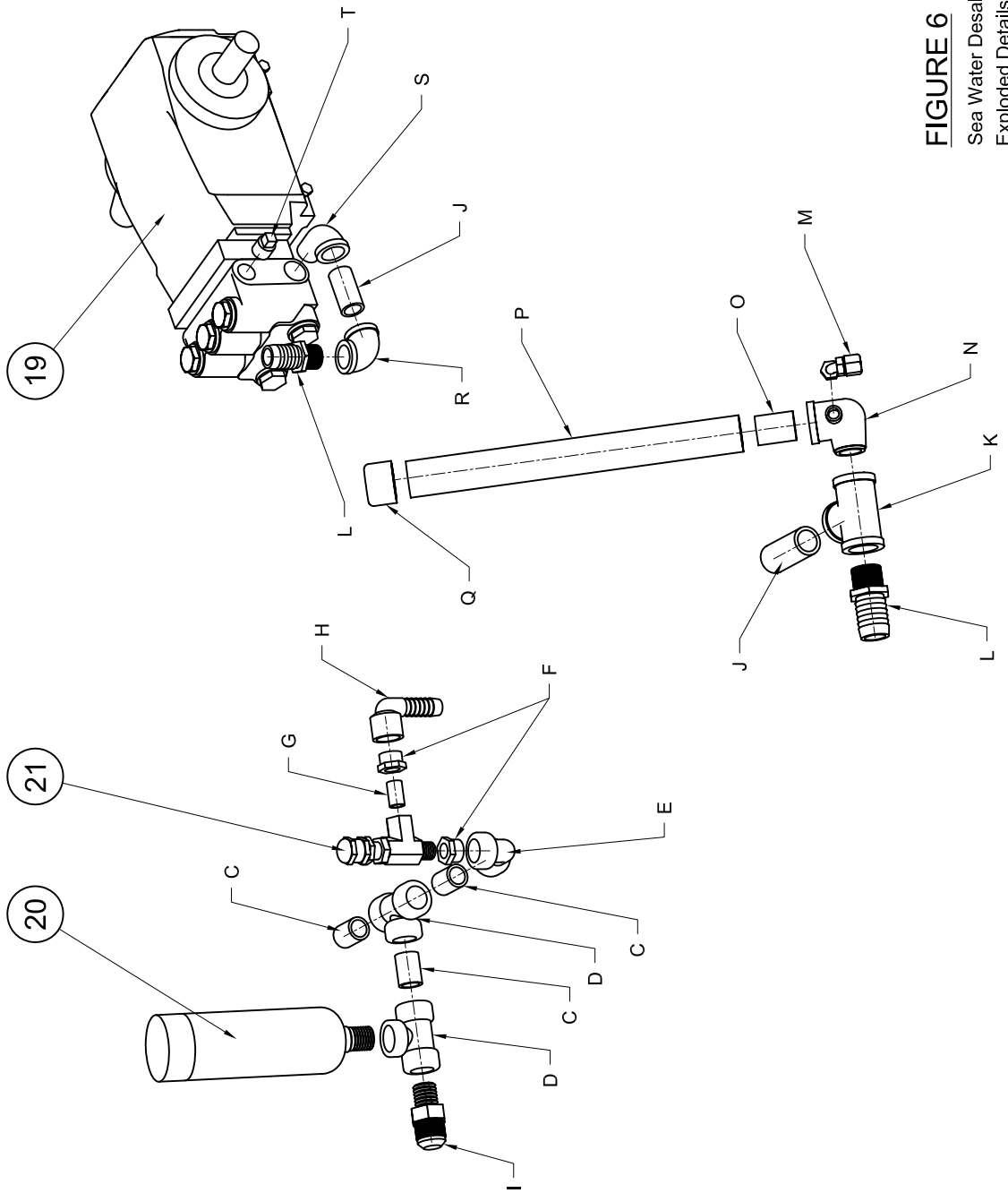
Detail exploded views on next sheet

**FIGURE 5**

Sea Water Desalinator  
High Pressure Pump  
AQUA-SEP S2, 07-16

**ITEM COMPONENT NAME**

- 19. Booster Pump, PUCS1051
- 20. Pulsation Dampener, 600 PSI  
PPDS0815
- 21. Pressure Relief Valve  
Valve Body: VRHS0400  
Valve Spring: ASPS0001
- C. PNXS0800 (3x)
- D. PTXS0800 (2x)
- E. PEXS0800
- F. PBTS0804 (2x)
- G. PNTS0400
- H. PEGX0800
- I. FCMS120837
- J. PNTS1210 (2x)
- K. PTTS1200
- L. PAHX1612 (2x)
- M. FTEM0402
- N. ASSE100563
- O. PNTS1200
- P. PPPX1600
- Q. PQSX1600
- R. PETS1200
- S. PSTS1200
- T. PPTS0800

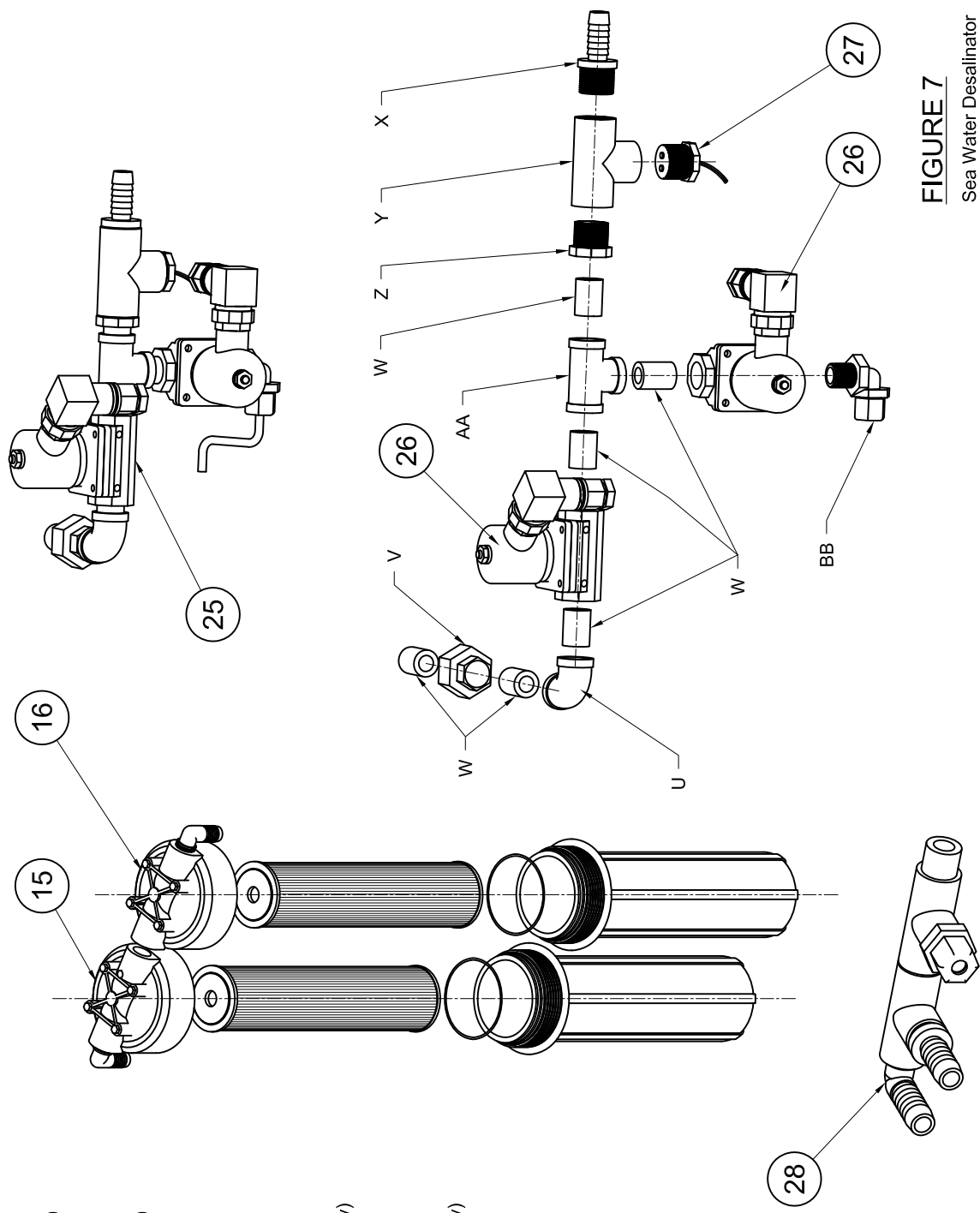


**FIGURE 6**

Sea Water Desalinator  
Exploded Details  
AQUA-SEP S2, 07-16

**ITEM COMPONENT NAME**

- 15. Cartridge Filter Housing: FCHQ1520  
Filter (5 Micron): FCCH0520  
O-RING: ORGN1122
- 16. Cartridge Filter Housing: FCHQ1520  
Filter (20 Micron): FCCH2020  
O-RING: ORGN1122
- 25. Product Valve Assembly  
120 VAC: ASPV120705-120  
220 VAC: ASPV120705-220
- 26. Solenoid Valve, 2-Way 1/2"  
(Included in Product Valve Assembly)  
120 VAC: VSDB0840  
220 VAC: VSDB0850
- 27. TDS Probe  
(Included in Product Valve Assembly)  
MPCS1000
- 28. Drain Manifold  
ASDM120705
- U. PETS0800
- V. PUTS0800
- W. PNTS0800 (6x)
- X. PAHX0812
- Y. PTTX1200
- Z. PBTX1208
- AA. PTTS1200
- BB. FTEM0608

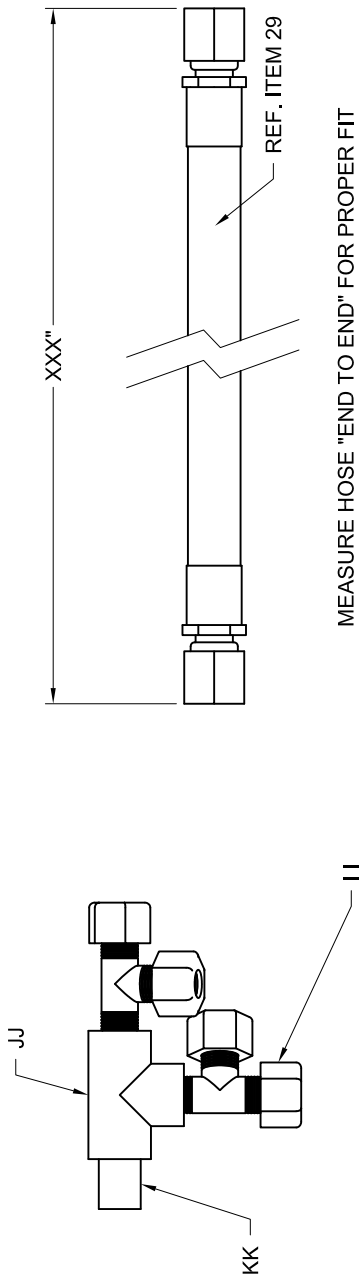


**FIGURE 7**

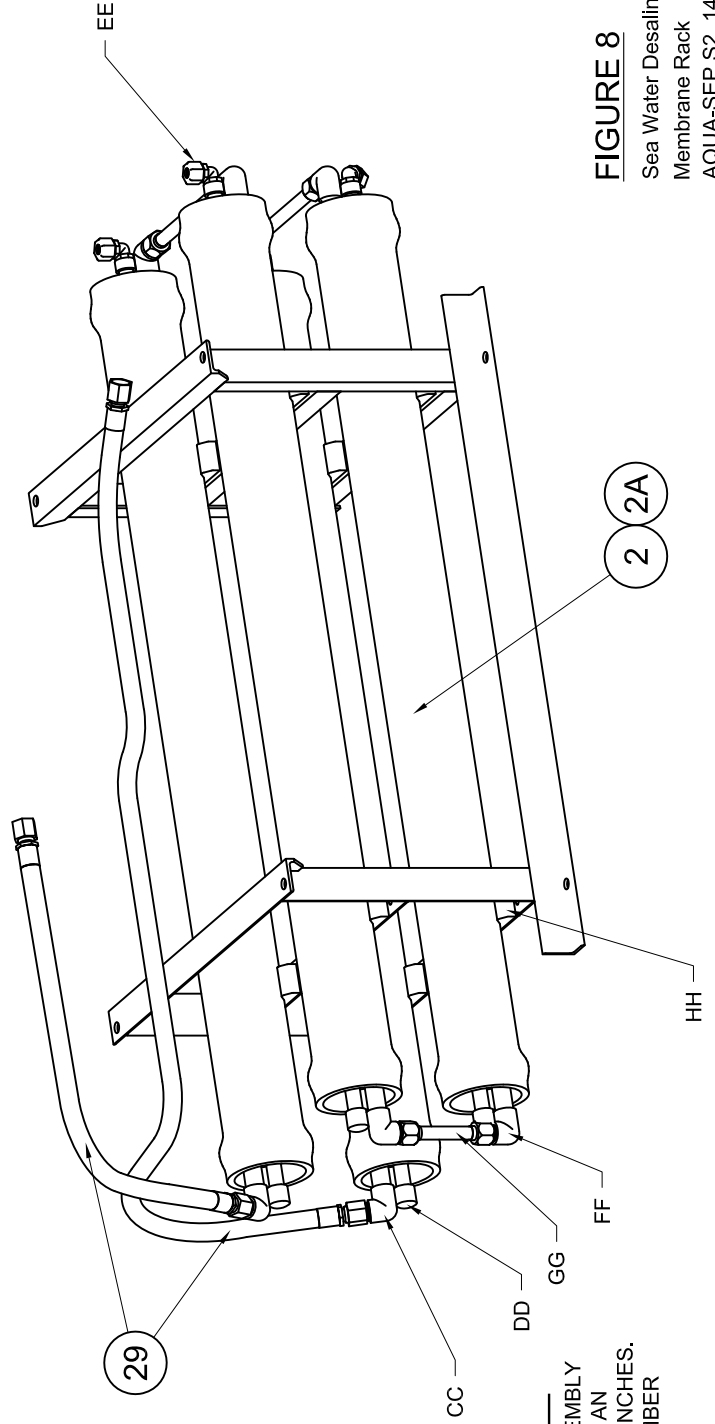
Sea Water Desalinator  
Filter / Manifolds  
AQUA-SEP S2, 14-20

**ITEM COMPONENT NAME**

- 2. Membrane Housings  
MHSA1440
- 2A. Membrane Element  
MSHH0441-H
- 29. High Pressure Hose Assemblies  
ASHA1 \_\_\_\_\_  
(See Note Below)
- CC. FEFS1237 (2x)
- DD. PQTX0800 (4x)
- EE. FTEF0800 (4x)
- FF. CEFS1200 (6x)
- GG. TUSS1200
- HH. MSDA0400 (8x)
- II. FTTR0800 (2x)
- JJ. PTTX0800
- KK. PNTX0800



MEASURE HOSE "END TO END" FOR PROPER FIT



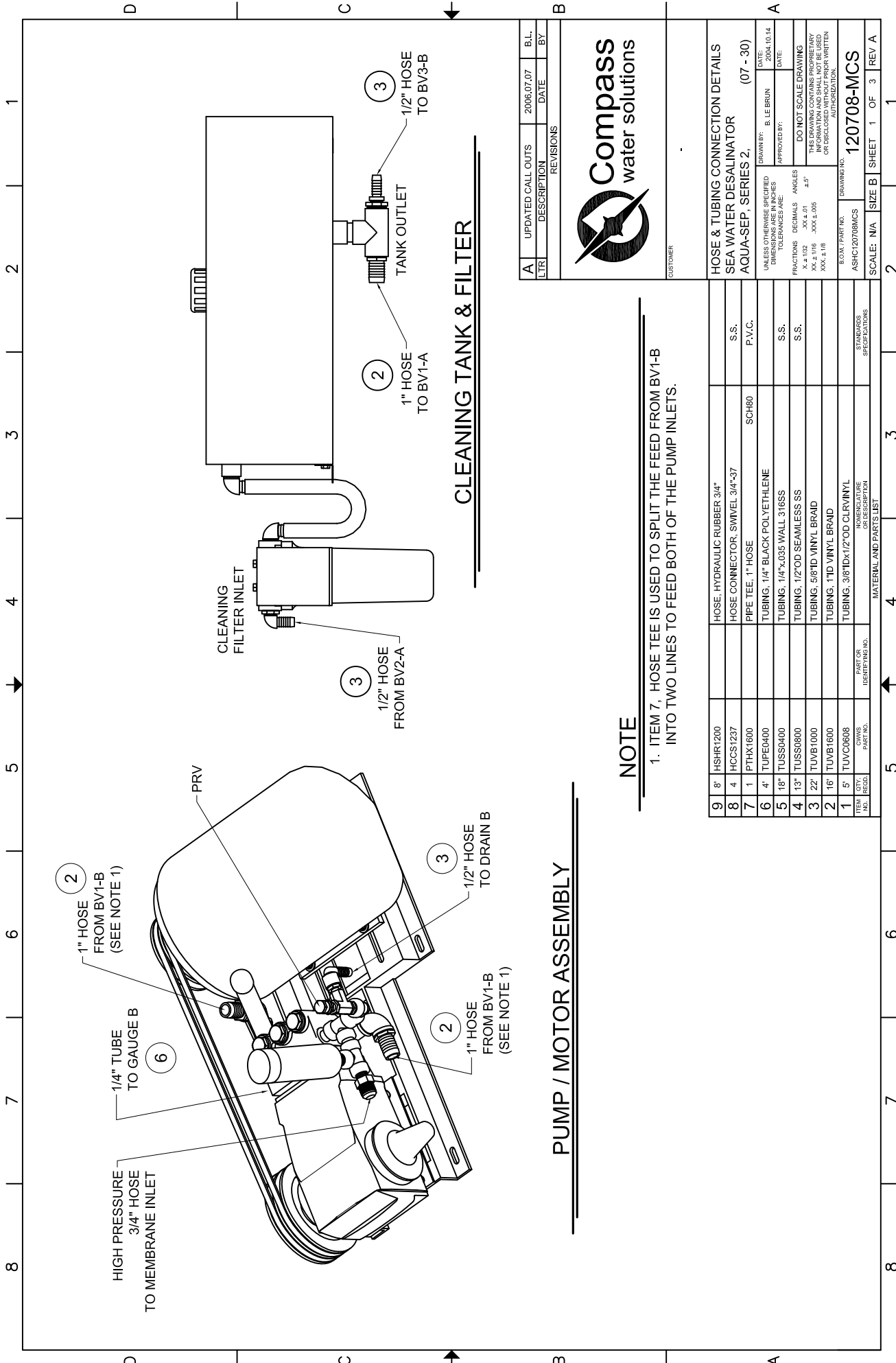
**NOTE**

THE HIGH PRESSURE HOSE ASSEMBLY IS MADE TO FIT. PLEASE INCLUDE AN "END TO END" MEASUREMENT IN INCHES. REPLACE THE "\_\_\_\_\_" IN PART NUMBER WITH THE LENGTH.

**FIGURE 8**

Sea Water Desalinator  
Membrane Rack  
AQUA-SEP S2, 14-16





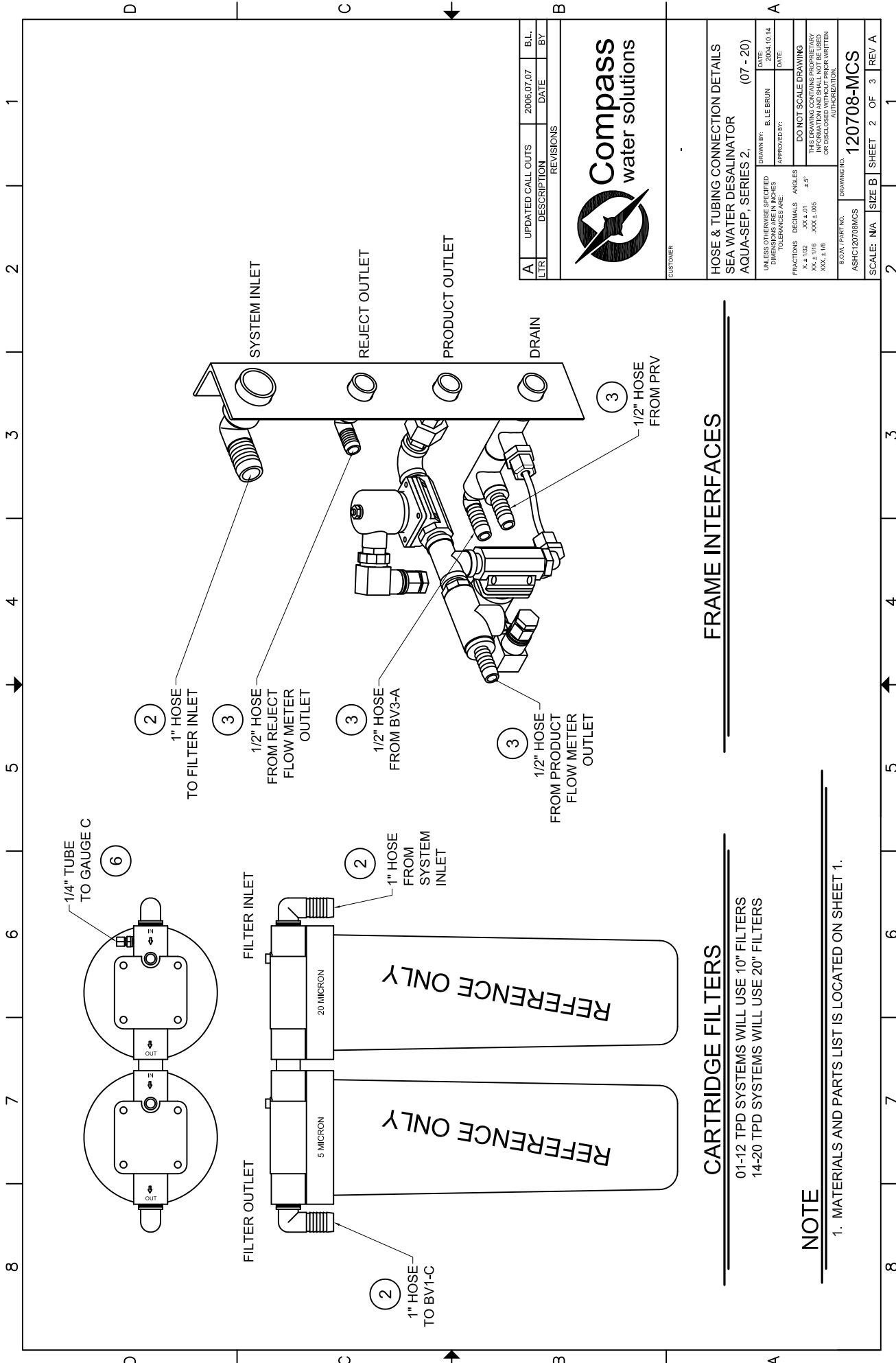
**PUMP / MOTOR ASSEMBLY**

**NOTE**

1. ITEM 7, HOSE TEE IS USED TO SPLIT THE FEED FROM BV1-B INTO TWO LINES TO FEED BOTH OF THE PUMP INLETS.

A		UPDATED CALL OUTS	2006.07.07	B.L.
LTR	DESCRIPTION	DATE	BY	
B		REVISIONS		
		CUSTOMER		
HOSE & TUBING CONNECTION DETAILS				
SEA WATER DESALINATOR				
AQUA-SEP, SERIES 2, (07 - 30)				
DRAWN BY:		B. LE BRUN	DATE:	2004.10.14
APPROVED BY:			DATE:	
UNLESS SPECIFIED OTHERWISE DIMENSIONS ARE IN INCHES				
TOLERANCES ARE:		ANGLES	DO NOT SCALE DRAWING	
FRACTIONS		DECIMALS	THIS DRAWING CONTAINS PROPRIETARY INFORMATION AND IS TO BE KEPT CONFIDENTIAL OR DISCLOSED WITHOUT PRIOR WRITTEN AUTHORIZATION.	
X ± 1/32		.XX ± 0.01		
XX ± 1/16		.XX ± 0.005		
XXX ± 1/8		.XX ± 0.005		
BOAT PART NO.		DRAWING NO.	120708-MCS	
ASHCI20708MCS		SCALE: NA SIZE B SHEET 1 OF 3 REV A		

9	8'	HSHR1200	HOSE, HYDRAULIC RUBBER 3/4"	S.S.
8	4	HCCS1237	HOSE CONNECTOR, SWIVEL, 3/4"-37	P.V.C.
7	1	PTHX1600	PIPE TEE, 1" HOSE	SCH80
6	4'	TUPE0400	TUBING, 1/4" BLACK POLYETHYLENE	S.S.
5	18"	TUJSS0400	TUBING, 1/4"X.035 WALL 316SS	S.S.
4	13"	TUJSS0800	TUBING, 1/2"OD SEAMLESS SS	S.S.
3	22'	TUVB1000	TUBING, 5/8"ID VINYL BRAID	
2	16'	TUVB1600	TUBING, 1"ID VINYL BRAID	
1	5'	TUVC0608	TUBING, 3/8"IDX1/2"OD CLR/VINYL	
ITEM NO.	QTY.	PART OR IDENTIFYING NO.	STANDARDS	
			NOMENCLATURE	
			DESCRIPTION	
MATERIAL AND PARTS LIST				



A		UPDATED CALL OUTS	2006.07.07	B.L.
LTR	DESCRIPTION	DATE	BY	
A		REVISIONS		
CUSTOMER				
HOSE & TUBING CONNECTION DETAILS				
SEA WATER DESALINATOR				
AQUA-SEP, SERIES 2, (07 - 20)				
DRAWN BY:		B. LE BRUN	DATE:	2004.10.14
APPROVED BY:			DATE:	
UNLESS SPECIFIED OTHERWISE DIMENSIONS ARE IN INCHES				
TOLERANCES ARE:				
FRACTIONS	DECIMALS	ANGLES		
X ± 1/32	.XX ± 0.01	± 5°		
XX ± 1/16	.XX ± 0.005			
XXX ± 1/8				
BOOM PART NO.		DRAWING NO.		
ASHC120708MCS		120708-MCS		
SCALE: 1:1A	SIZE: B	SHEET: 2	OF: 3	REV: A

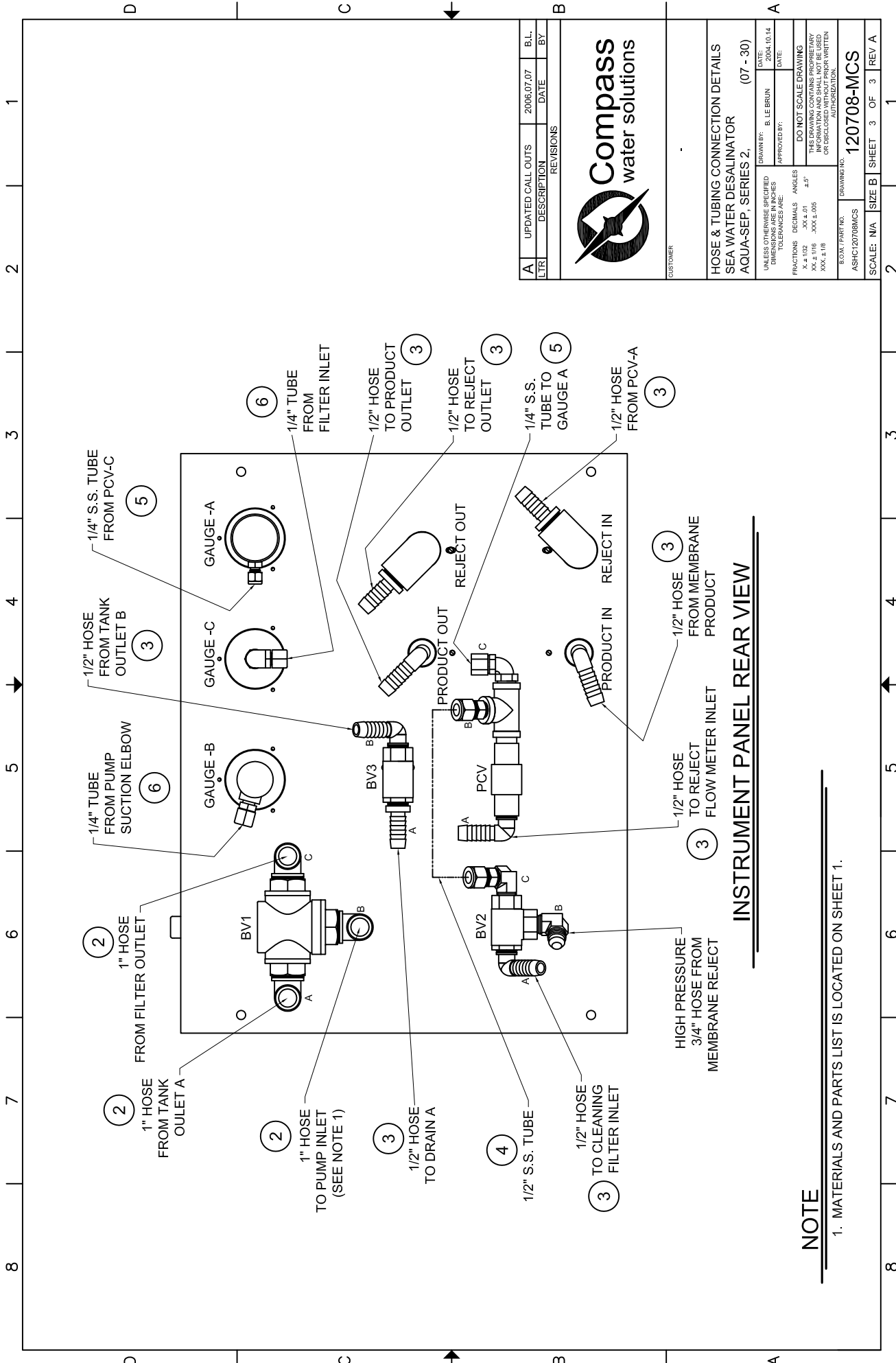
**FRAME INTERFACES**

**CARTRIDGE FILTERS**

01-12 TPD SYSTEMS WILL USE 10" FILTERS  
 14-20 TPD SYSTEMS WILL USE 20" FILTERS

**NOTE**

1. MATERIALS AND PARTS LIST IS LOCATED ON SHEET 1.



**INSTRUMENT PANEL REAR VIEW**

**NOTE**

1. MATERIALS AND PARTS LIST IS LOCATED ON SHEET 1.



A		B.L.	
LTR	DESCRIPTION	DATE	BY
	UPDATED CALL OUTS	2006.07.07	
	REVISIONS		

CUSTOMER  
 HOSE & TUBING CONNECTION DETAILS  
 SEA WATER DESALINATOR  
 AQUA-SEP, SERIES 2, (07 - 30)

UNLESS SPECIFIED OTHERWISE DIMENSIONS ARE IN INCHES		DRAWN BY: B. LE BRUN		DATE: 2004.10.14	
FRACTIONS	DECIMALS	ANGLES	APPROVED BY:	DATE:	DATE:
X ± 1/32	.XX ± 0.1	± 5°			
XX ± 1/16	.XX ± 0.05				
XXX ± 1/8					

DO NOT SCALE DRAWING  
 THIS DRAWING CONTAINS PROPRIETARY INFORMATION  
 WHICH IS NOT TO BE REPRODUCED OR DISCLOSED WITHOUT PRIOR WRITTEN AUTHORIZATION.

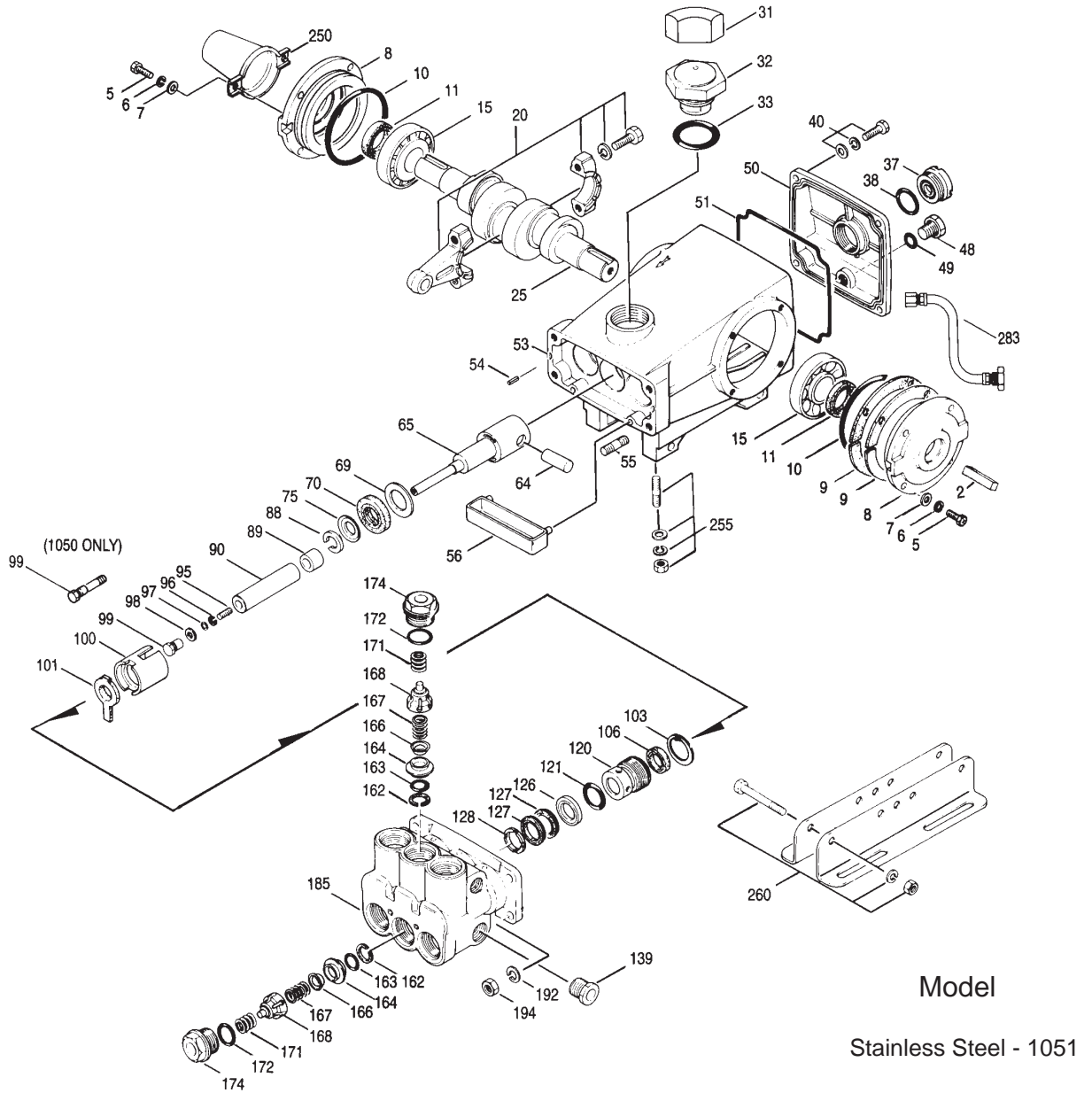
BOAT / PART NO.	DRAWING NO.
ASHC120708MCS	120708-MCS

SCALE: 1/4"	SIZE: B	SHEET: 3	OF: 3	REV: A
-------------	---------	----------	-------	--------

# BOOSTER PUMP PARTS LIST

ITEM	PART NUMBER	DESCRIPTION	QTY
<b>1051</b>			
● 2	KEYB1057	Key (M8x7.5x25)	1 ●
5	---	Screw, Sems HHC (M6x16)	8
5	PPCS89618	Screw, (M6x16)	8
6	PPCS15849	Lockwasher, Split (M6)	8
7	PPCS19933	Washer (M6)	8
8	PCBC43496	Cover, Bearing	2
9	PCSB43520	Shim, Bearing Cover	2/4
	PCSB45387	Shim, Split 2-Pc	0/4
10	PCBC11340	O-Ring, Bearing Cover	2
11	PCOS43495	Seal, Oil, Crankshaft	2
15	PCBR39060	Bearing, Roller	2
20	---	Rod, Connecting Assembly	3
	---	Rod, Connecting Assembly	3
25	PCCK43494	Crankshaft, Dual End	1
31	PCCP82871	Protector, Oil Cap	1
32	PCOC43211	Cap, Oil Filler	1
33	PCOR14177	O-Ring, Filler Cap	1
37	---	Gauge, Oil, Bubble	1
38	PCGK44428	Gasket, Flat, Oil Gauge	1
40	---	Screw, Sems HHC (M6x20)	4
48	PCDP25625	Plug, Drain (1/4"x11)	1
49	PCOR23170	O-Ring, Drain Plug	1
50	PCCC43491	Cover, Crankcase	1
51	---	O-Ring, Crankcase Cover	1
● 53	PCCK43488	Crankcase	1 ●
54	---	Pin, Guide	2
55	PCMS44005	Stud, Manifold (M10x45)	4
56	PCOP44664	Pan, Oil, w/Screws	1
64	PCPR43507	Pin, Rist	3
65	PCPR45258	Rod, Plunger	3
69	PCWR43504	Washer, Oil Seal	3
70	PCOS43500	Seal, Oil, Crankcase	3
75	PCBS43506	Slinger, Barrier	3
88	PCWK45675	Washer, Keyhole	3
89	PCCL45879	Collar, Spacer	3
90	PCPL43552	Plunger (M77)	3
95	PCRS89651	Stud, Plunger Retainer (M6x70)	3
96	PCBUR43235	Back-up-Ring, Plunger Retainer	3
97	PCOR17399	O-Ring, Plunger Retainer	3
	PCOR14160	O-Ring, Plunger Retainer	3
	PCOR46204	O-Ring, Plunger Retainer	3
98	PCGK44041	Gasket, Plunger Retainer	3
99	PCPR44031	Retainer, Plunger	3
	---	Retainer w/Stud	3
100	PCSR43509	Retainer, Seal	3
101	PCWK43554	Wick, Long Tab	3
103	PCRR44036	Ring, Retaining	3
106	PCPS44035	Seal, LPS w/SS-Spg	3
	PCPS44388	Seal, LPS w/SS-Spg	3
120	PCSC48464	Case, Seal	3
121	PCRG14762	O-Ring, Seal Case	3
	PCOR11737	O-Ring, Seal Case	3
126	PCFS48389	Adapter, Female	3
127	PCVP103692	V-Packing	6
128	---	Adapter, Male	3
139	---	Plug, Inlet (3/4" NPT)	1
162	PCBR43248	Back-up-Ring, Valve Seat	6
163	PCVS43249	O-Ring, Seat	6
	PCOR44383	O-Ring, Seat	6
	---	O-Ring, Seat	6
164	PCVS44037	Seat	6
166	PCBL44038	Valve	6
167	PCVS44039	Spring, Valve	6
168	PCVR44564	Retainer, Spring	6
171	---	Coil Spring, Valve Plug	6
172	PCOR7617	O-Ring, Valve Plug	6
	PCOR11691	O-Ring, Valve Plug	6
	---	O-Ring, Valve Plug	6
174	PCVP48463	Plug, Valve	6
● 185	---	Head, Manifold	1 ●
192	---	Lockwasher, Split (M10)	4
194	---	Nut, Hex (M10)	4

# EXPLODED VIEW



Model

Stainless Steel - 1051

1051			
250	PCY30764	Protector, Shaft w/2 Screws	1
255	---	Mounting, Direct (Incls: 12490, 12503, 14050, 81048)	1
260	---	Rail, Angle Assy, A (30635, 30903, 30921, 30912)	1
265	---	Kit, Complete Mounting, U.S. (30613, 30206, 30059, 30067, 30764)	1
● 269	PCPU30206	Pulley (9.75") AB [See complete Drive Packages, Tech Bulletin 03]	1 ●
● 274	---	Hub, "H", M30 (Keyway M8) [See complete Drive Packages, Tech Bulletin 03]	1 ●
● 283	---	Kit, Oil Drain	1 ●
290	---	Gasket, Liquid (1.5 oz.)	1
● 299	PHCS1051	Head, Complete	1 ●
300	PCSK3916	Kit, Seal (Incls: 97, 103, 106, 121, 127)	1
	PCSK0986	Kit, Seal (Incls: 97, 103, 106, 121, 127)	1
310	PCVK34387	Kit, Valve (Incls: 162, 163, 164, 166, 167, 168, 172)	2
	PCVK30987	Kit, Valve (Incls: 162, 163, 164, 166, 167, 168, 172)	2
	PCVK31258	Kit, Valve (Incls: 162, 163, 164, 166, 167, 168, 172)	2
350	PPCC0696	Tool, Valve Seat Removal	1
351	PPCC3523	Tool, Seal Case Removal	1

## PART NUMBERS SHOWN ARE FOR MOST COMMON REPLACEMENT PARTS

If ordering a part that does not have a part number, please use the item number and specify the pump model.