

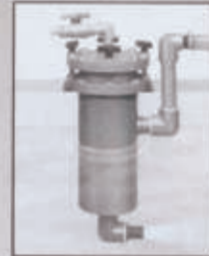
CORROSION RESISTANT FILTER CHAMBERS

FOR FILTRATION OF
CORROSIVE LIQUIDS

CECO Mefiag

A Division of CECO Environmental

- 14 chamber sizes to choose from
- Chambers available alone or with choice of 4 pump styles
- Filtration rates to 7200 GPH
- Particle retention to .5 microns
- No metal contact with solution
- Can be floor mounted or mounted to tank flange using optional panel
- Corrosion resistant CPVC or Kynar construction
- Accepts all standard double open end filter tubes
- Can also be used for simultaneous carbon treatment and filtration using carbon filter tubes (See Bulletin 913)




Model D-60 mounted in-tank with optional tank mounting panel, inlet pipe and air vent assembly.



Sethco Filter Chambers For Small, Medium and Large Plating Tanks

For Corrosive Liquids and Chemicals to 210°F.



Dimensions*

Model	A	B
DD-5S	11 1/2"	4 1/4"
DD-10S	15 3/4"	4 1/4"
DD-20S	25 3/4"	4 1/4"
DD-30S	35 3/4"	4 1/4"
DD-40S	45 3/4"	4 1/4"

Inlet and Outlet = 3/4" NPT
* Dimensions are the same for DL and KK series chambers.

"DD/DL and KK" SERIES

SINGLE TUBE FILTER CHAMBERS FOR FILTRATION TO 750 GPH.
Sethco "DD/DL and KK" Series chambers are recommended for in-tank or out of tank filtration requirements. They feature screw top covers for easy filter tube replacement, CPVC, CPVC/clear PVC, or Kynar® construction, and solid, integral one piece shell and base design. Engineered for use with any standard filter or carbon filter cartridge.

CHAMBER MODEL NUMBER			RECOMMENDED FILTRATION RATE* (GPH) CONTAMINATION		FILTER TUBES IN CHAMBER		MAX PSI@ 72°F**	WT. † (LBS)
To 210°F. Max. KYNAR®	To 200°F. Max. CPVC	To 140°F. Max. CPVC/Clear PVC	LOW	HIGH	QTY.	SIZE		
-	DD-5S	DL-5S	75-200	25-75	1	#5	100	3.7
	KK-10S	DL-10S	150-300	75-150	1	#10	100	4.3††
	KK-20S	DL-20S	300-600	150-300	1 #20	2 #10	100	6.1††
	KK-30S	DL-30S	450-750	300-450	1 #30	3 #10	100	7.6††
-	DD-40S	DL-40S	450-750	300-450	1 #40	4 #10	100	9.1

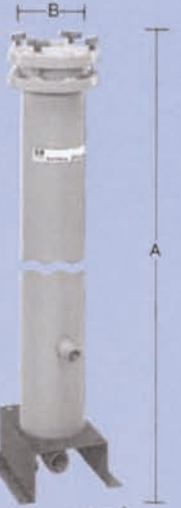
* Filtration rate with 15 micron filter tubes.

** Maximum pressure is lower at higher temperatures, consult factory.

† Add approximately 20% for shipping.

†† Add approximately 2 pounds for Kynar® chambers

NOTE 1 - Figures shown is for DD series, KK series, rated @ 85 psi @ 72°F.



Dimensions

Model	A	B
D-30	22 1/2"	9"
D-60	31 1/2"	9"
D-90	42 1/2"	9"

Inlet and Outlet = 1 1/4" NPT
* Dimensions are the same for K series chambers.

"D&K" SERIES

THREE TUBE FILTER CHAMBERS FOR FILTRATION TO 2700 GPH.
Sethco "D" Series chambers are constructed of corrosion-resistant CPVC. Sethco "K" chambers are constructed of PVDF (Kynar). The inlet is conveniently located at the chamber side, and the discharge is from base instead of the chamber cover making cover removal and filter media changeover easy. When mounted in-tank, both inlet and outlet will be below tank level.


Each chamber can be tank or floor mounted. The standard chambers are provided on a rigid, corrosion-resistant stand for floor mounting. An optical PVC mounting panel can be provided for mounting these chambers to the tank flange – either inside or outside the tank. Accepts all standard double open end filter tubes.

KYNAR	CHAMBER MODEL NUMBER	RECOMMENDED FILTRATION RATE* (GPH) CONTAMINATION		INLET OUTLET	FILTER TUBES IN CHAMBER		MAX PSI@ 72°F**	WT. † (LBS)	
		CPVC	LOW		HIGH	QTY.			SIZE
	K-30	D-30	600-900	300-600	1 1/4" NPT	3	#10	50	17
	K-60	D-60	1200-1800	600-1200	1 1/4" NPT	3 #20 or 6 #10		50	23
	K-90	D-90	1800-2700	900-1800	1 1/4" NPT	3 #30 or 9 #10		50	29

* Filtration rate with 15 micron filter tubes.

** Maximum pressure is lower at higher temperatures, consult factory.

† Add approximately 20% for shipping.



EIGHT TUBE CHAMBER Dimensions

Model	A	B	C	D
D-800	22-1/8"	13"	10-1/2"	11-1/4"
D-1600	31-5/8"	13"	10-1/2"	11-1/4"
D-2400	42-1/2"	13"	10-1/2"	11-1/4"
D-3200	54"	13"	10-1/2"	11-1/4"

Inlet and Outlet = 1-1/2" NPT

TWELVE TUBE CHAMBER Dimensions

Model	A	B	C	D
D-2412	31-3/4"	15-1/2"	16"	15"
D-3612	42-3/8"	15-1/2"	16"	15"

Inlet and Outlet = 2" NPT

"D" SERIES

EIGHT & TWELVE TUBE FILTER CHAMBERS FOR FILTRATION TO 7200 GPH.
These CPVC high volume models are designed to handle large flows and heavy dirt levels of corrosive liquids at high flow rates. They can accommodate 10", 20", 30", or 40" standard filter tubes or carbon filter tubes. Multiple 10" tubes can also be used. Chambers are mounted on a rigid corrosion resistant stand and can be provided both for floor mount or in tank mounting.

CHAMBER MODEL NUMBER	RECOMMENDED FILTRATION RATE* (GPH) CONTAMINATION		INLET OUTLET	FILTER TUBES IN CHAMBER		MAX PSI@ 72°F**	WT. † (LBS)
	LOW	HIGH		QTY.	SIZE		
D-800	1600-2400	800-1600	1 1/2" NPT	8	#10	50	63
D-1600	3200-4200	1600-3200	1 1/2" NPT	8 #20 or 16 #10		50	73
D-2400	4800-7200	2400-4800	1 1/2" NPT	8 #30 or 24 #10		50	81
D-3200	4800-7200	2400-4800	1 1/2" NPT	8 #40 or 32 #10		50	98
D-2412	4800-7200	2400-4800	2" NPT	12 #20 or 24 #10		50	96
D-3612	4800-7200	2400-4800	2" NPT	12 #30 or 36 #10		50	135

* Filtration rate with 15 micron filter tubes.

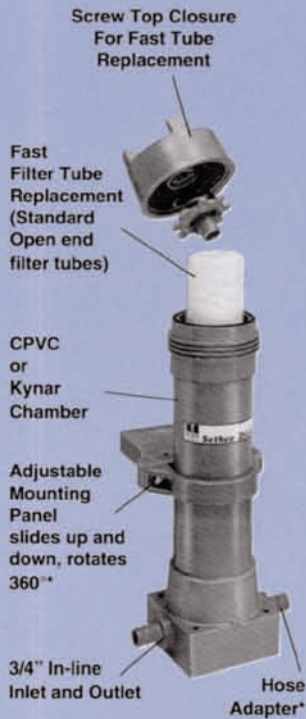
** Maximum pressure is lower at higher temperatures, consult factory.

† Add approximately 20% for shipping.

All Models Can Be Mounted to Tank Flange Inside or Outside the Tank

Select from Single, Three, Eight or Twelve Tube Chambers

SINGLE TUBE CHAMBER



EIGHT AND TWELVE TUBE CHAMBERS

(in-tank version pictured)



Large Volume Multi Tube Filter Chamber Shown In-Tank With Bearing-Free Sealless Vertical CPVC Pump

- Adjustable mounting panel.
- Base and panel custom made to conform to tank dimensions.
- Pump can run dry without damage.
- Corrosion resistant CPVC construction.
- No metal contact.

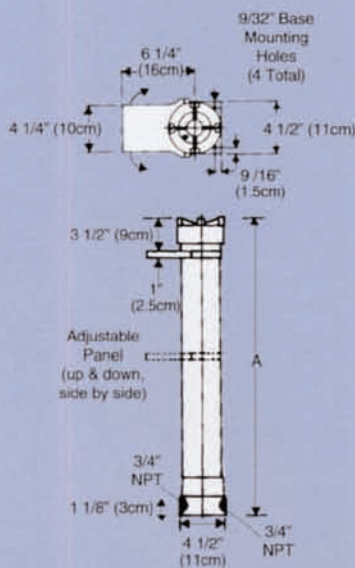
* Indicates optional equipment

THREE TUBE CHAMBER

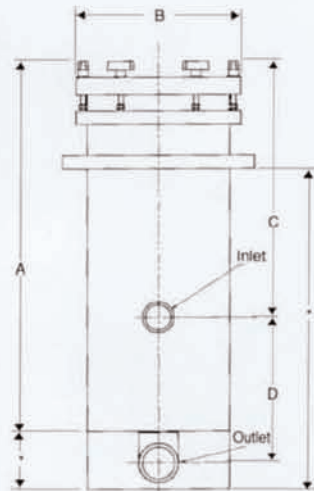
(in-tank version pictured)



DIMENSIONS

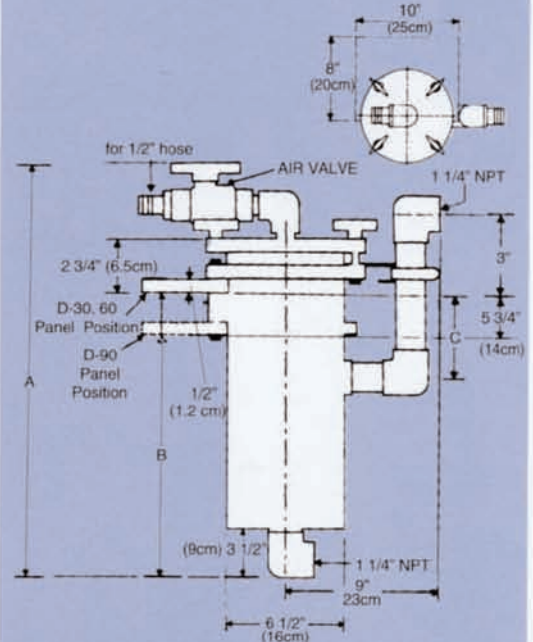


MODEL	IN.	"A"	CM.
KK/DD-5S	11 1/2"	29	
KK/DD-10S	15 3/4"	40	
KK/DD-20S	25 3/4"	64	
KK/DD-30S	35 3/4"	91	



MODEL	"A"		"B"		"C"		"D"	
	IN.	CM.	IN.	CM.	IN.	CM.	IN.	CM.
D-800A	22 1/8"	72	13"	33	8 1/4"	21	12"	30
D-1600A	31 5/8"	80	13"	33	16 1/4"	41	14"	36
D-2400A	42 1/2"	107	13"	33	26 3/4"	68	14"	36
D-3200A	54"	137	13"	33	37 1/2"	95	14"	36
D-2412	31 3/4"	81	15 1/2"	39	22 7/8"	58	8"	20
D-3612	42 3/8"	106	15 1/2"	39	33 1/2"	85	8"	20

*These dimensions vary and are dependant on the tank into which the filter chamber will be installed.



MODEL	A		B		C	
	IN.	CM.	IN.	CM.	IN.	CM.
K/D-30	23 1/8"	59	16 5/8"	42	5 1/4"	13
K/D-60	32 5/8"	83	26 1/8"	66	12 1/2"	32
K/D-90	43 1/2"	110	34 3/16"	87	23"	58

Typical Single or Multi Filter Tube Chambers with Sethco Pumps

WITH SELF PRIMING MAGNETIC DRIVE SEALLESS PUMP

(See Bulletin 742 for complete specifications)



11 models with filtration rates from 800 to 3300 GPH. Convenient self priming pump.

WITH END SUCTION MAGNETIC DRIVE SEALLESS PUMP

(See Bulletin 740 for complete specifications)



Filtration rates from 1 to 3300 GPH. Features reliable, leakproof magnetic drive pumps. 13 models to choose from.

WITH DIRECT DRIVE CENTRIFUGAL PUMP

(See Bulletin 802 for complete specifications)



Features CPVC direct drive pump for filtration rates to 10,000 GPH. 3 models to choose from.

WITH BEARING FREE SEALLESS VERTICAL PUMP

(See Bulletins 853 and 553 for complete specifications)



For in-tank or out of tank installation. 20 models with filtration rates from 200 to 4800 GPH. Pumps can run dry.

Note: For information on carbon treatment/filtration chambers and systems see bulletins 452 and 453.

For information on stainless steel filter chambers and systems see bulletins 402 and 702

For information on bag filter chambers and systems see bulletins 560 (CPVC) and 562 (SS).

Custom Twin Chamber Systems Available

Add a carbon chamber, bag chamber or resin chamber to any Sethco Filter System or use twin filter cartridge chambers in series with different density media. If higher flow rates or greater dirt holding capacity is required use 2 chambers in parallel. Call your Distributor or our sales department to discuss your application.



WARRANTY: One year warranty against defective parts and workmanship. See Form TC-01 for full warranty details. Always be specific about your application in order that proper materials may be furnished. Let us or an authorized distributor know: liquids being handled, gallons, temperatures and pH. The standard warranty does not apply when equipment is used contrary to factory recommendations. Since our policy is one of continual improvement, we reserve the right to change design or materials at any time, without giving notice or creating any obligation to previous or future customers.

CECO Mefiag

A Division of CECO Environmental
700 Emlen Way | Telford, PA 18969
P: 215.723.8155 | F: 215.723.2197
infofhs@onececo.com
www.cecoenviro.com