

CECO Dean

DEAN PUMP® DEANLINE SERIES

Industrial In-line Centrifugal Pumps

DATA PAK

DEANLINE SERIES CENTRIFUGAL PROCESS PUMPS

STANDARD, INLINE, SINGLE STAGE OPEN IMPELLER, CENTRIFUGAL PROCESS PUMPS TYPE DEANLINE

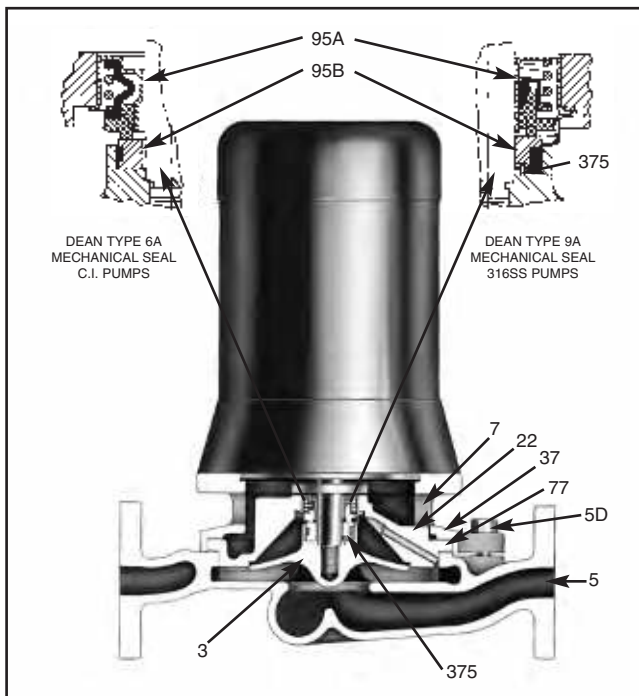
MECHANICAL DESIGN SPECIFICATIONS

Direction of Rotation.....	Clockwise (Viewed from Motor End)
Driving Rating	230/460 Volt, 3 Phase, 60 Cycle, NEMA C Flange, 143TCZ Frame, Dean Standard Motors, 304SS Shaft with standard shaft extension for jet motor, NEMA T3B temperature rating for Ex. Pr. motors. Ex. Pr. motors are Class I, Group D; Class II, Groups F & G.
@ 1750 RPM.....	1/2 HP
@ 3500 RPM.....	1, 1-1/2, and 2 HP
Flanges A.N.S.I. Rating	125 Lb. C.I. (Class 20), 150 Lb. 316SS (Class 50)
Impeller.....	Single Plane Dynamic Balance
Maximum Working Pressure	100 PSIG
Maximum Suction Pressure	Any part of Working Pressure
Hydrostatic Test Pressure	150 PSIG C.I. (Class 20); 200PSIG 316SS (Class 50)
Pumping Temperature	
Minimum	Minus 20°F C.I. (Class 20) and 316SS (Class 50)
Maximum	220°F C.I. (Class 20) and 316SS (Class 50)
Stuffing Box	Integral Mechanical Seal Only, internal seal face flushing all pumps

PUMP MAT'L CLASS	MECHANICAL SEAL	SUCTION PRESSURE		TEMPERATURE	
		MAX.	MIN.	MAX.	MIN.
20 or 50	Dean Type 6A, 6C or 9A	100 PSIG	2 PSIG	220°F	-20°F

Stuffing Box Options - In addition to standard seals the 6C seal is available for caustic service.*

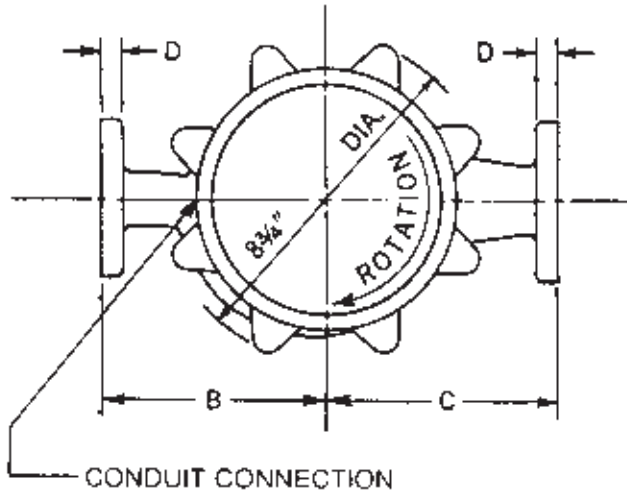
STANDARD MATERIALS OF CONSTRUCTION



PART NO.	PART NAME	CAST IRON (CLASS 20)	316SS (CLASS 50)
3	Impeller	C.I.	316SS
5	Casing	C.I.	316SS
5D	Casing Cap Screw	1020 Stl.	302SS
7	Adapter Cradle	C.I.	C.I.
7g	Adapter Cap Screws	ASTM A307 Stl.	ASTM A307 Stl.
22	Backhead	C. I.	316SS
37	Clearance Shim	Plastic	Plastic
77	Casing Gasket	Non-Asbestos	Non-Asbestos
95A	Stationary Seal Element		
	Stationary Face	Carbon	Carbon
	Spring		316SS
	Holder	304SS	316SS
	Shaft Packing	Viton	Teflon
95B	Rotating Seal Face	Ceramic	Ceramic
375	Seal Dowel Pin	Not Required	316SS

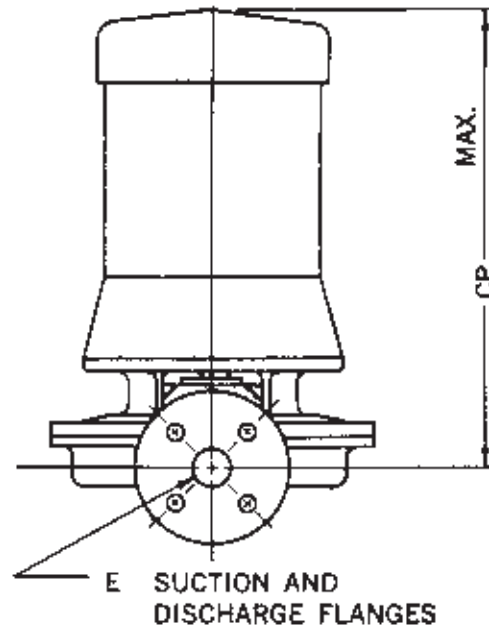
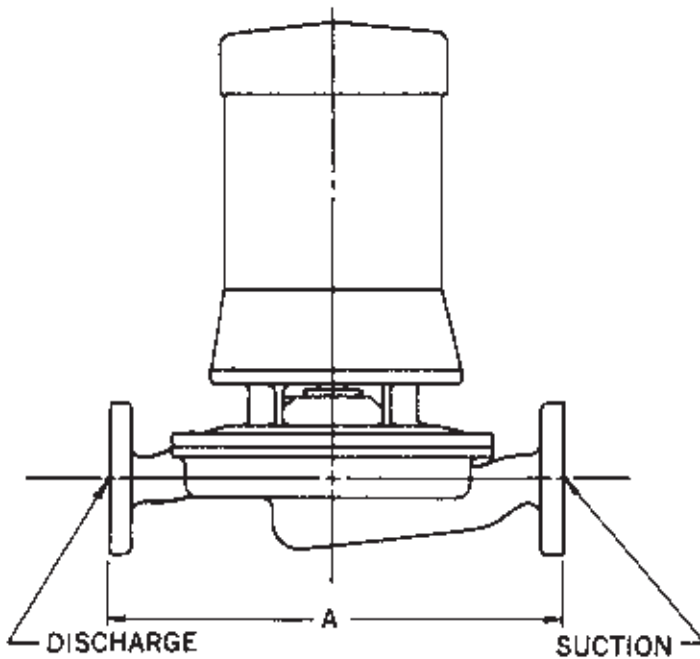
*For caustic service, use Dean Type 6C Seal with Ni-resist vs. carbon faces and Neoprene bellows

STANDARD, INLINE, INTEGRAL SEAL, OPEN IMPELLER CENTRIFUGAL PUMP
TYPE DL PUMP



DIMEN.	3/4 DL	1 1/2 DL
A	10 3/4	11
B	5 1/4	5 1/2
C	5 1/2	5 1/2
D	1/2	1 1/16
E	3/4 3 7/8 O.D., 4 - 1/16" Holes on 2 1/4 Dia. B.C.	1 1/2 5 O.D., 4 - 5/8" Holes on 3 5/8 Dia. B.C.

CP		
HP	TEFC	EXPR
1/2	14	15
1	14	15
1 1/2	15	16 1/2
2	15	17 1/2



CERTIFICATION

IMPORTANT: Do not use for construction unless certified.

CUSTOMER _____	ITEM NO. _____
CUSTOMER'S ORDER NO. _____	DATE _____
DEAN PUMP SERIAL NO. _____	
CERTIFIED BY _____	

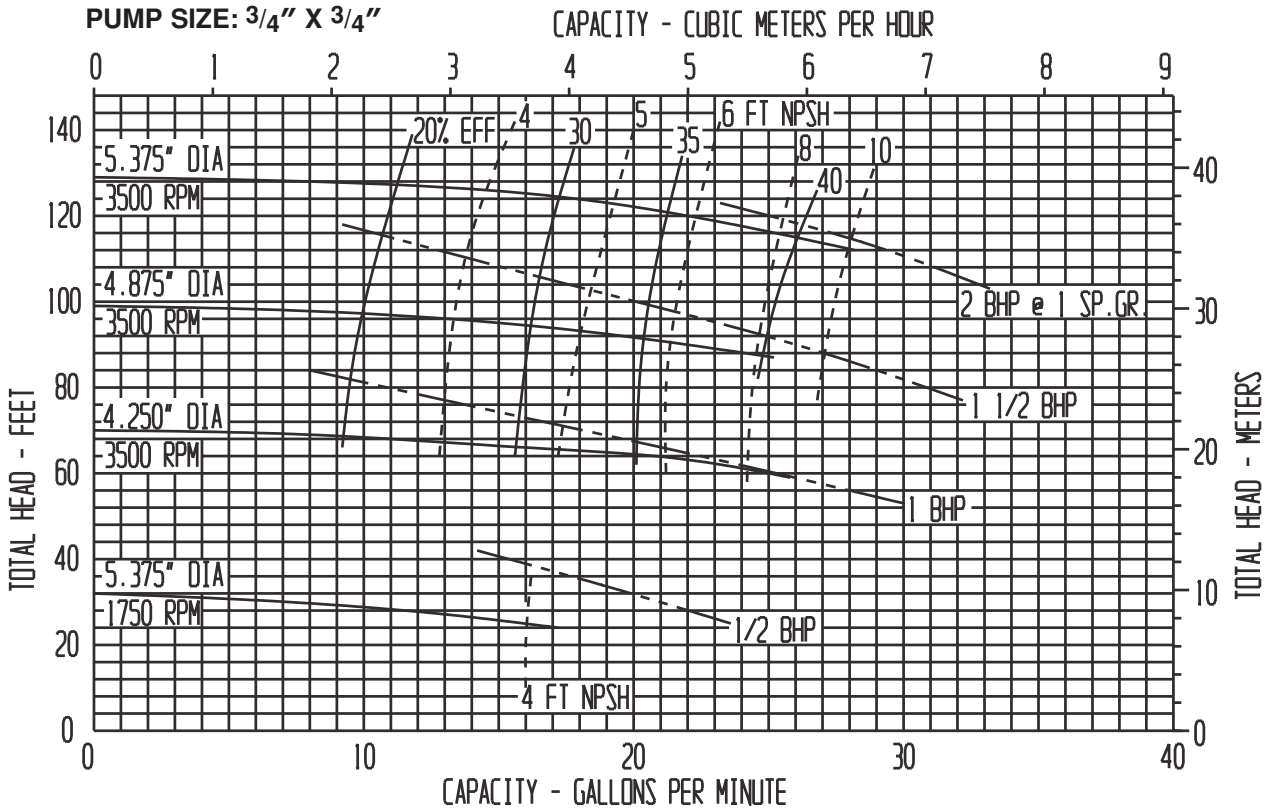
The construction shown is standard for this machine. Any change may involve additional cost, a corresponding increase in selling price and delay in shipment. If changes are necessary, mark them carefully and in detail on this print and return. You will be advised promptly as to the additional price. Meanwhile, details involved will be held up until we receive your authorization to proceed.

DIMENSION
DWG NO.
D-1000

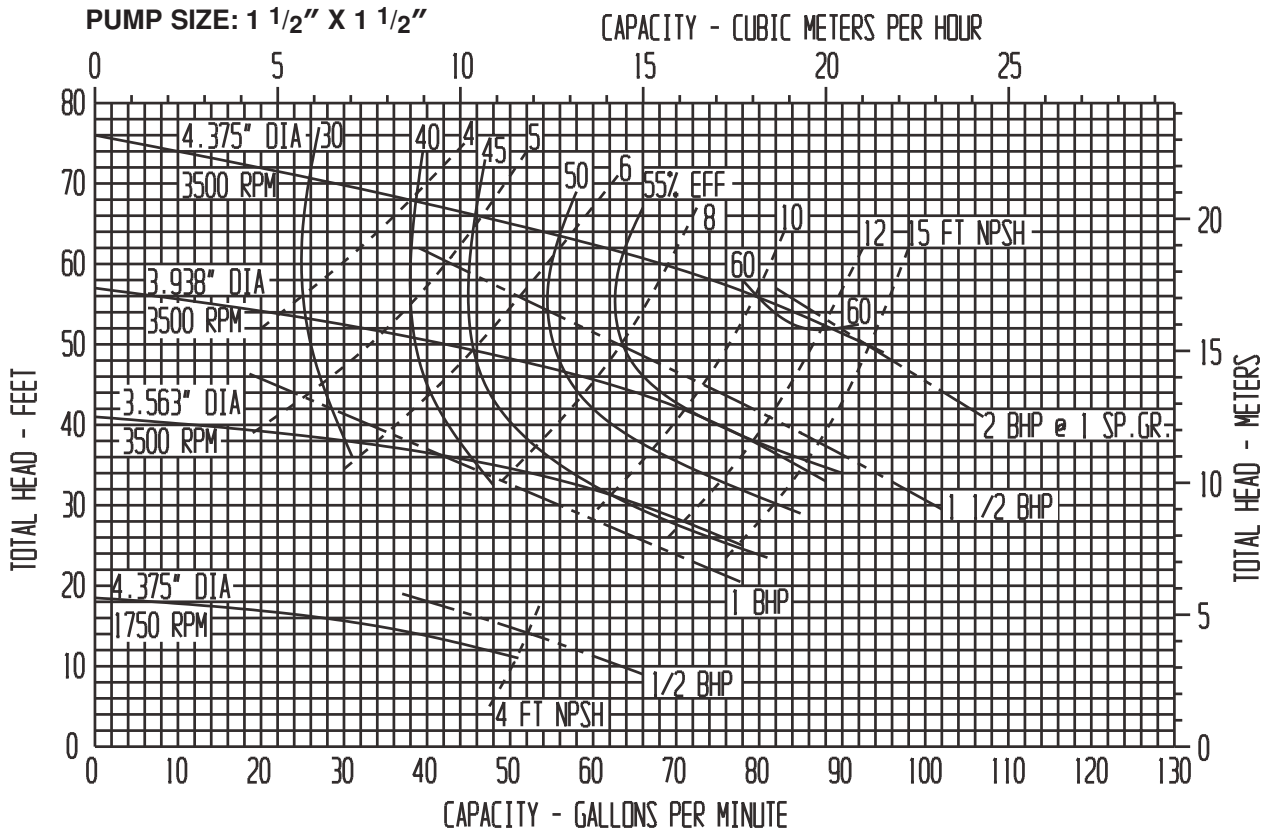
Dean Pump Division

6040 GUION ROAD, INDIANAPOLIS, IN 46254, (317) 293-2930, FAX: (317) 297-7028

PUMP PERFORMANCE: This curve, based on extensive tests, defines the average performance of this pump for liquids having a viscosity of 70 SSU or less. Actual performance of individual units may differ slightly from the performance indicated on this curve. Pump applications made from the data contained herein are subject to confirmation and acceptance by our Engineering Department at our Indianapolis Office.



CUSTOMER _____	ITEM No. _____
CUSTOMER'S ORDER No. _____	FACTORY ORDER No. _____
DEAN PUMP SERIAL No. _____	



Range Chart

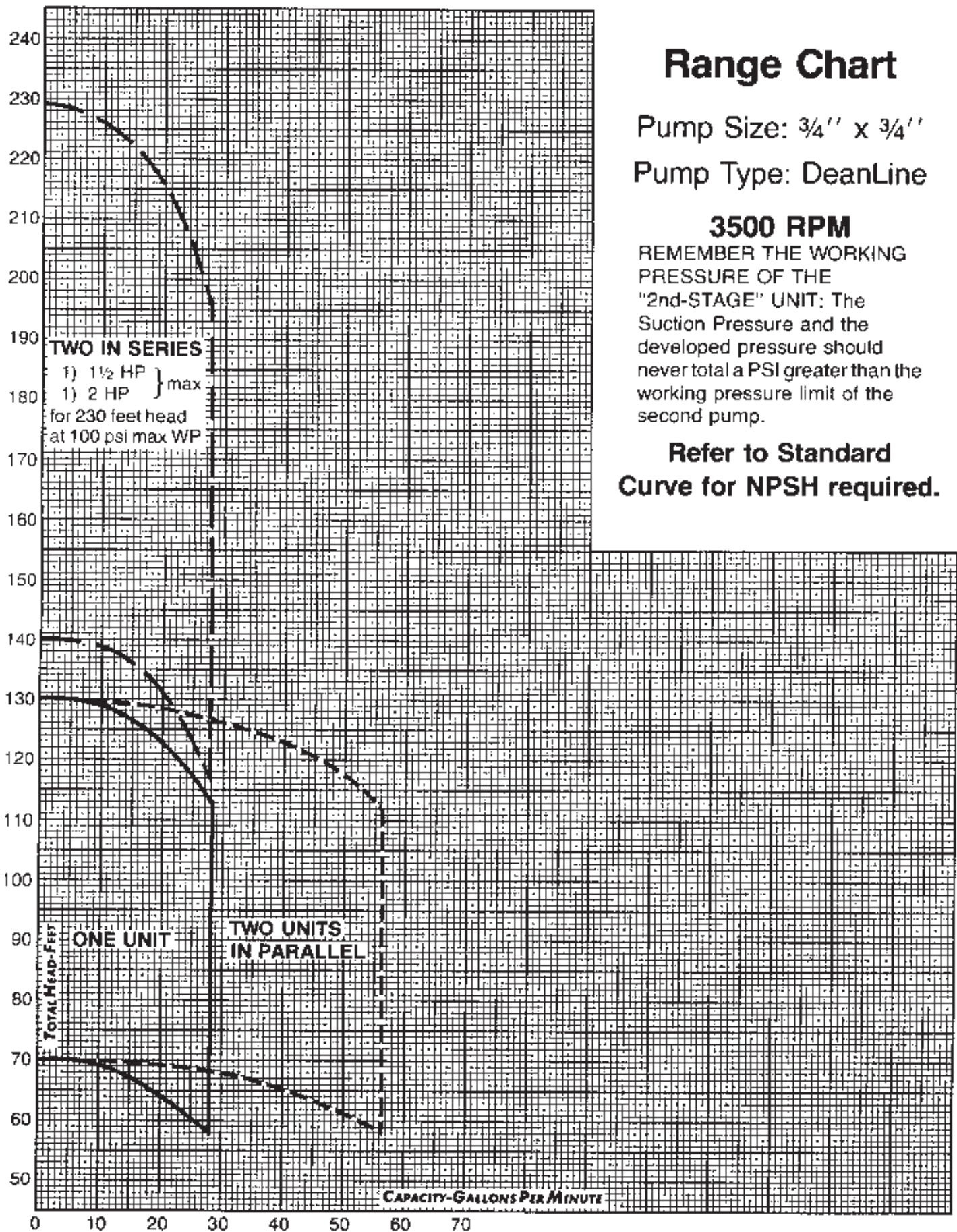
Pump Size: 3/4" x 3/4"

Pump Type: DeanLine

3500 RPM

REMEMBER THE WORKING PRESSURE OF THE "2nd-STAGE" UNIT: The Suction Pressure and the developed pressure should never total a PSI greater than the working pressure limit of the second pump.

Refer to Standard Curve for NPSH required.



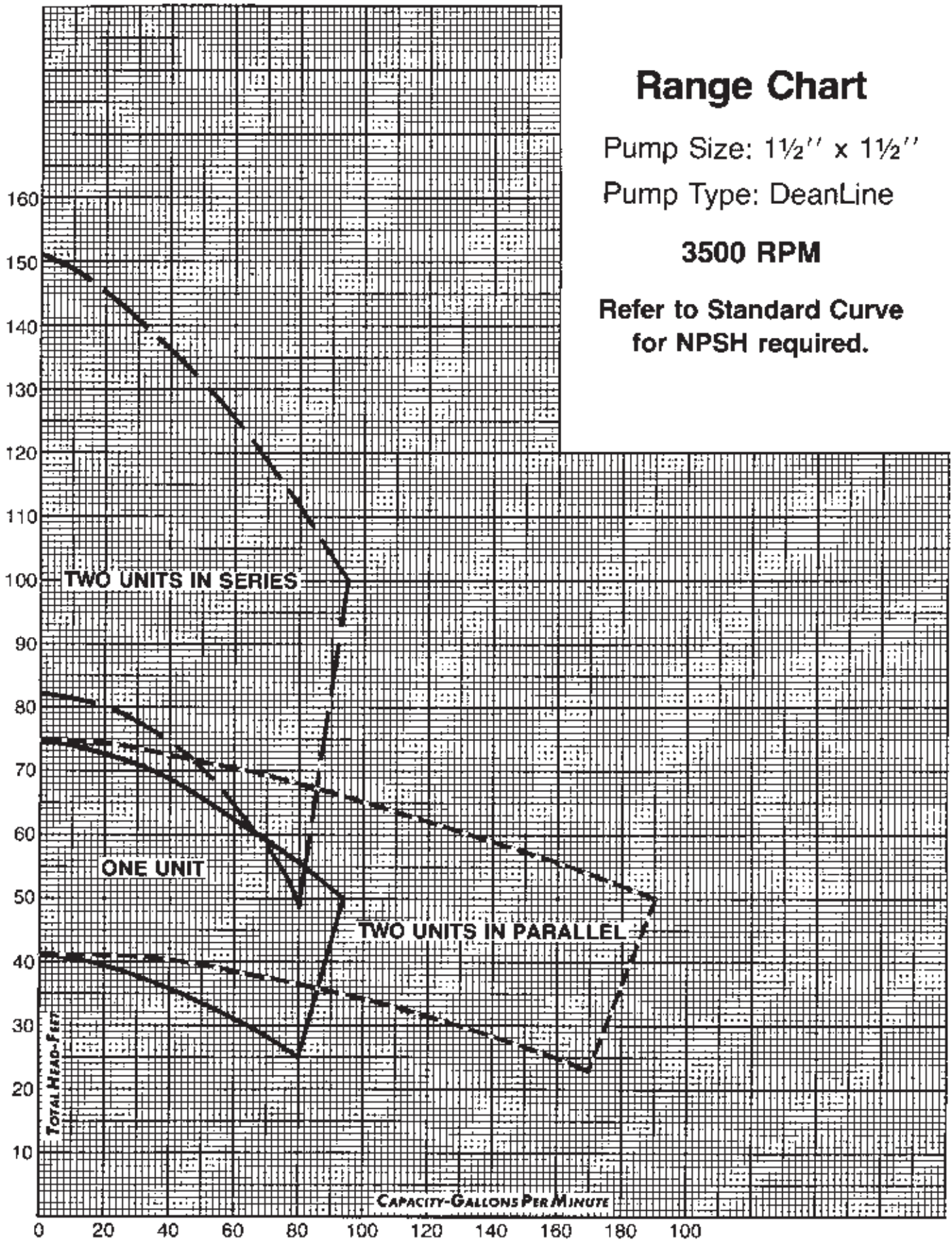
Range Chart

Pump Size: 1½" x 1½"

Pump Type: DeanLine

3500 RPM

Refer to Standard Curve
for NPSH required.



CECO Dean

6040 Guion Road • Indianapolis, IN 46254
(317) 293-2930 • FAX: (317) 297-7028
E-mail: info@onececo.com • Web Site: www.cecoenviro.com

