

November 2015

**PARTS CATALOG
SEA WATER DESALINATOR
AQUA-SEP SERIES II
MODEL 20 TPD**



Compass
water solutions

15542 Mosher Ave. Tustin, CA 92780 U.S.A.

WEB: compasswater.com

TEL: (949) 222-5777

FAX: (949) 222-5770

This parts catalog is a reference for all of the following Model numbers and Serial numbers manufactured prior to the date of this document.

Model Number	Description
ASSD2025220-MCS	AQUA-SEP SERIES II, 20 TPD

Serial Numbers:

33385	33429	33503
33386	33430	33545
33392	33431	33575
33405	33432	33584
33416	33449	33585
33417	33450	33586
33421	33462	33587
33422	33463	33588
33423	33468	33593
33428	33502	

COMPONENT PART NUMBERS & DESCRIPTIONS

NOTE: Some items listed are optional and may not be included on your Aqua-Sep system

<u>ITEM</u>	<u>COMPONENT NAME</u>	<u>DESCRIPTION</u>
1.	Control Box (Various)	Houses the electrical controls, wiring and safety switches. Refer to System Manual For Control Box Drawings. <i>(fig #1)</i>
2.	Membrane Housings & Membrane Elements	High pressure housing for spiral wound membranes. Reject dissolved solids. Only pure water permeates the membranes. Converts seawater to potable water. Housings MHSA1440 , Element MSHH0441-H <i>(fig #1 & #8)</i>
3.	Cleaning Solution Filter	Removes silt and sediment from cleaning solution. Filter Housing: FCHQ7010 , Filter Element: FCAE3010 <i>(fig #1 & #4)</i>
4.	Desalinator Frame	Serves to mount the system and houses the piping and booster pump/motor. <i>(fig #1)</i>
5.	Cleaning Solution Tank Assy.	Tank for mixing cleaning solution. (Full Assy. ASCT120110) (Tank Only ASCT100175) <i>(fig #4)</i>
6.	Operating Pressure Gauge Assy.	Indicates system operating pressure. ASOG120705 (Gauge only GALK0438 , High Press. Switch SWMS0015) <i>(fig #3)</i>
7.	Feed Pressure Gauge Assy.	Indicates the cartridge filter outlet and booster pump inlet pressure. ASFG120705 (Gauge only GALK0406 , Low Press. Switch SWMS0005) <i>(fig #3)</i>
8.	Inlet Pressure Gauge Assy.	Indicates the cartridge filter inlet pressure. ASIG120705 (Gauge Only GALK0406) <i>(fig #3)</i>
9.	Operate/Clean Inlet Valve Assy.	Diverts flow during operating or cleaning mode. ASIV120705 <i>(fig #3)</i>
10.	Operate/Clean Outlet Valve Assy.	Diverts flow during operating or cleaning mode. ASOV120705 <i>(fig #3)</i>
11.	Cleaning Tank Drain Valve Assy.	Used to drain the cleaning solution tank. ASDV120705 <i>(fig #3)</i>
12.	Pressure Control Valve Assy.	Variable orifice back pressure valve. Maintains system feedwater pressure sufficient to permeate the membranes. ASCV120705 <i>(fig #3)</i>

COMPONENT PART NUMBERS & DESCRIPTIONS

NOTE: Some items listed are optional and may not be included on your Aqua-Sep system

<u>ITEM</u>	<u>COMPONENT NAME</u>	<u>DESCRIPTION</u>
13.	Flowmeter "Product Water"	Provides instantaneous indication of product water production in gallons per minute and liters per minute. FMTR50500 (fig #3)
14.	Flowmeter "Reject Water"	Provides instantaneous indication of water being rejected in gallons per minute and liters per minute. FMTR50750 (fig #3)
15.	Cartridge Filter Housing	Contains replaceable filter cartridge (5 micron). Filter Housing: FCHQ1520 Filter Element: FCCH0520 (fig #7)
16.	Cartridge Filter Housing	Contains replaceable filter cartridge (20 micron). Filter Housing: FCHQ1520 Filter Element: FCCH2020 (fig #7)
17	Booster Pump / Motor Assy.	Complete Pump/Motor Assy. (fig #5 & #6) 380-415/50Hz: ASBP122004-50 440-480/60Hz: ASBP122004-60
18.	Electric Motor	7.5 H.P. motor with 213T Frame (fig #5 & #6) MTRL13075
19.	Booster Pump	Plunger Style Pump (fig #5 & #6) PUCS1531
20.	Pulsation Dampener	600 P.S.I., ½" PPDS0815 (fig #5 & #6)
21.	Pressure Relief Valve	¼" Stainless Steel Valve Body Valve VRHS0400 Aqua-Sep Set Spring (750-1500 PSI) ASPS0001 (fig #5 & #6)
22.	Motor Mounts	Vibration Dampeners. VBIR0507 (fig #5)
23.	Motor Drive Belts	DBBX56 (2x) (fig #5)
24.	Motor Tension System	Securing Bar: ASSR120769 (fig #5) Motor Bar: ASTR120769 Bolts: ASTB120769 (2x)
25.	Product Valve Assy.	Controls Direction of flow based on the quality of the Processed Water. (fig #7) 120 VAC – ASPV120705-120 220 VAC – ASPV120705-220
26.	Solenoid Valve (1/2")	120 VAC – VSDB0840 (fig #7) 220 VAC – VSDB0850

COMPONENT PART NUMBERS & DESCRIPTIONS

NOTE: Some items listed are optional and may not be included on your Aqua-Sep system

<u>ITEM</u>	<u>COMPONENT NAME</u>	<u>DESCRIPTION</u>
27	TDS Probe	Checks quality of processed water. (<i>fig #7</i>) MPCS1000
28.	Drain Manifold	ASDM120705 (<i>fig #7</i>)
29.	High Pressure Hose Assy. (3/4" x JIC-37°)	These are made to fit. Please indicate "End to End" measurement. Replace "___" in part number with length in inches. ASHA1 ___ (<i>fig #8</i>) [Example: ASHA1075 = 75 inches long]
30.	Misc. Hoses & Tubing Details	Product Tubing (3/8" x 1/4" I.D.) TUVC0406 5/8" Tubing (Vinyl Braid) TUVB1000 1" Tubing (Vinyl Braid) TUVB1600 [Refer to Drawing 120708-MSD For Full Details]

PART NUMBERS & DESCRIPTIONS

NOTE: Some items listed are optional and may not be included on your Aqua-Sep system

ITEM	PART NUMBER	DESCRIPTION
A.	FCAE3010	Cleaning Filter Element
B.	ASCT100175	Cleaning Tank (Tank Only – No Fittings)
C.	PNXS0800 (3x)	Pipe Nipple, SS, Sch 80, ½” x Close
D.	PTXS0800 (2x)	Pipe Tee, #3000, SS, ½”
E.	PEXS0800	Pipe Elbow, #3000, SS, ½”
F.	PBTS0804 (2x)	Pipe Bushing, SS, ½” x ¼”
G.	PNTS0400	Pipe Nipple, SS, ¼” x Close
H.	PEGX0800	Pipe Adapter Elbow, PVC Sch 80, ½” Hose x FNPT
I.	FCMS120837	Flare Connector, ½” MNPT x ¾” - 37° Hose
J.	PNTS1610 (2x)	Pipe Nipple, SS, 1” x 2 ½” Long
K.	PTTS1600 (2x)	Pipe Tee, SS, 1”
L.	PAHX1600	Pipe Adapter, PVC Sch 80, 1” Hose x MNPT
M.	FTEM0400	Fast & Tite Elbow, ¼” Tube x MNPT
N.	PBTS1604	Pipe Bushing, SS, 1” x ¼”
O.	PNTS1200	Pipe Nipple, SS, ¾” x Close
P.	PPPX1600 (1’)	Pipe, 1” PVC Sch 80 (order 1 foot)
Q.	PQSX1600	Pipe Cap, PVC Sch 80
R.	PPTS1200	Pipe Plug, SS, ¾”
S.	PPTS1600	Pipe Plug, SS, 1”
T.	PBTS1208	Pipe Bushing, SS, ¾” x ½”
U.	PETS0800	Pipe Elbow, SS, ½”
V.	PUTS0800	Pipe Union, SS, ½”
W.	PNTS0800 (6x)	Pipe Nipple, SS, ½” x Close

PART NUMBERS & DESCRIPTIONS

NOTE: Some items listed are optional and may not be included on your Aqua-Sep system

ITEM	PART NUMBER	DESCRIPTION
X.	PAHX0812	Pipe Adapter, 1/2" Hose x 3/4" MNPT
Y.	PTTX1200	Pipe Tee, PVC Sch 80, 3/4"
Z.	PBTX1208	Pipe Bushing, Threaded PVC, 3/4" x 1/2"
AA.	PTTS1200	Pipe Tee, SS, 3/4"
BB.	FTEM0608	Fast & Tite Elbow, 3/8" Tube x 1/2" MNPT
CC.	FEFS1237 (2x)	Flare Elbow, 3/4" x 37° Hose
DD.	PQTX0800 (6x)	Pipe Cap, 1/2" Threaded
EE.	FTEF0800 (6x)	Fast & Tite Elbow, 1/2" Tube x FNPT
FF.	CEFS1200 (10x)	Compression Elbow, 3/4" Tube x FNPT
GG.	TUSS1200	Tubing, 3/4"
HH.	MSDA0400 (12x)	Membrane Saddle 4"
I I.	FTTR0800 (3x)	Fast & Tite Run Tee, 1/2" Tube x MNPT
J J.	PTTX0800 (2x)	Pipe Tee, Threaded PVC Sch 80, 1/2"
KK.	PNTX0800 (2x)	Pipe Nipple, PVC Sch 80, 1/2" x Close

CONSUMABLES & REBUILD PARTS

NOTE: Some items listed are optional and may not be included on your Aqua-Sep system

<u>PART NUMBER</u>	<u>DESCRIPTION</u>
PCVK1271	Booster Pump Valve Kit, Cat 1531
PCSK1355	Booster Pump Seal Kit, Cat 1531
ORGN1122	O-Ring, BB Filters
ORGN1120	O-Ring, Cleaning Filter
ASAC1000	Aqua-Sep Membrane Cleaner – Acid 2 lbs. (Mix 2 lbs. with 15 gallons of Water)
ASAL2000	Aqua-Sep Membrane Cleaner – Alkaline 2 lbs. (Mix 1 lb. with 15 gallons of Water)
SBSP0001	Aqua-Sep Preservative, Sodium Bisulfate 50 lbs. pail
FCAE3010	Cleaning Filter
FCCH0520	Filter Element: (5 micron) x 20” Long, BB
FCCH2020	Filter Element: (20 micron) x 20” Long, BB
FCWQ1500	Filter Housing Wrench, BB
VRKD0800	Solenoid Valve Rebuild Kit ½”

ITEM COMPONENT NAME

- 1. Control Box - Refer to System Manual For Control Box / Electrical Details
- 2. Membrane Housing: MHA1440
Membrane Element: MSHH0441-H
- 3. Cleaning Solution Filter: FCHQ7010
Filter Element: FCAE3010
- 4. Desalinator Frame
- 5. Cleaning Solution Tank Assembly
ASCT120110
- 29. High Pressure Hose Assembly
(Refer to Figure #8)

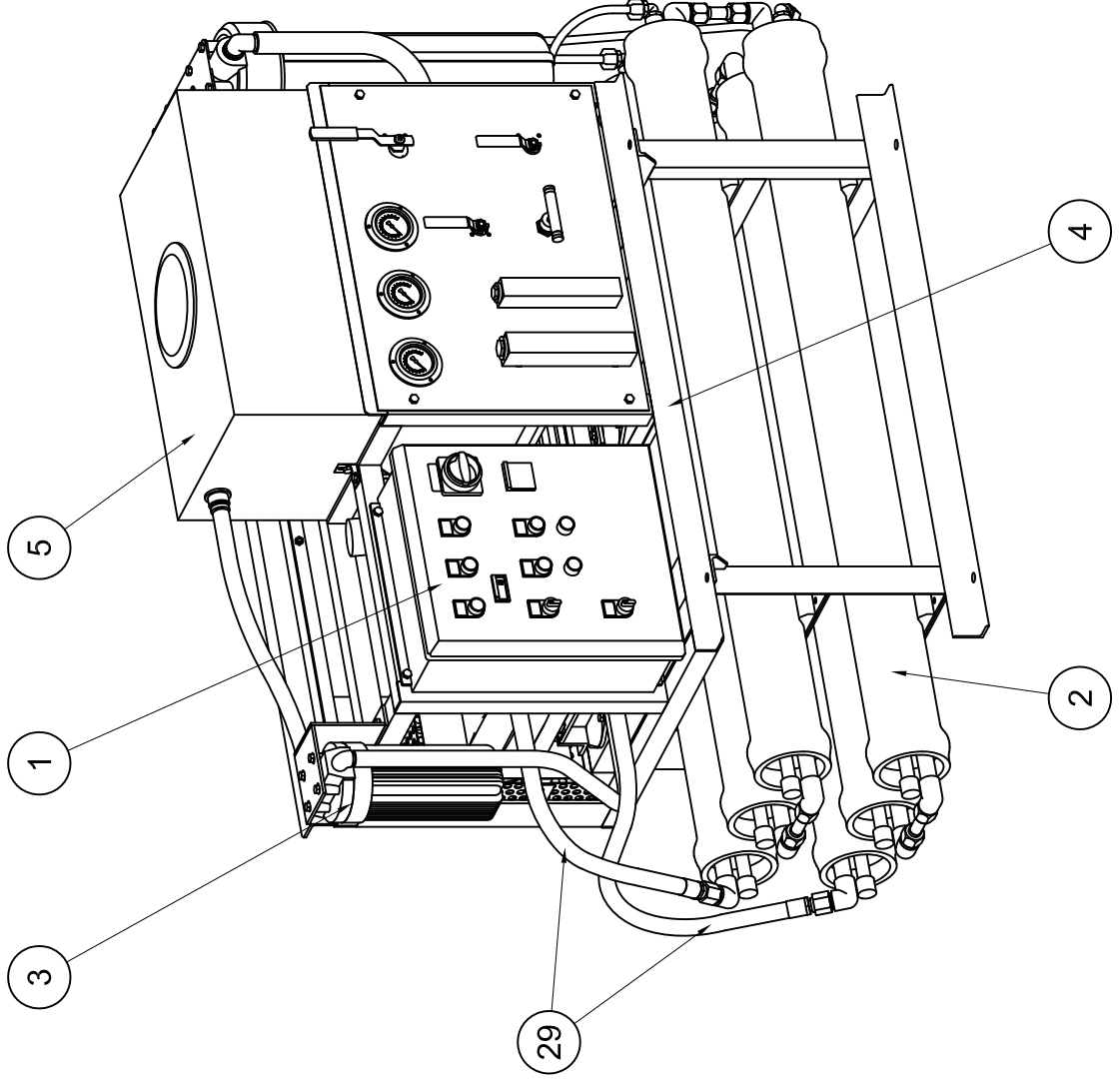


FIGURE 1

Sea Water Desalinator
Front Iso View
AQUA-SEP S2, 20

ITEM COMPONENT NAME

- 2. Membrane Housing: MHA1440
Membrane Element: MSHH0441-H
- 3. Cleaning Solution Filter: FCHQ7010
Filter Element: FCAE3010
- 4. Desalinator Frame
- 5. Cleaning Solution Tank Assembly
ASCT120110
- 15. Cartridge Filter Housing: FCHQ1520
Filter (5 Micron) FCCH0520
- 16. Cartridge Filter Housing: FCHQ1520
Filter (20 Micron) FCCH2020
- 30. Misc. Hose and Tubing Details
(See Drawing 120708-MSC)

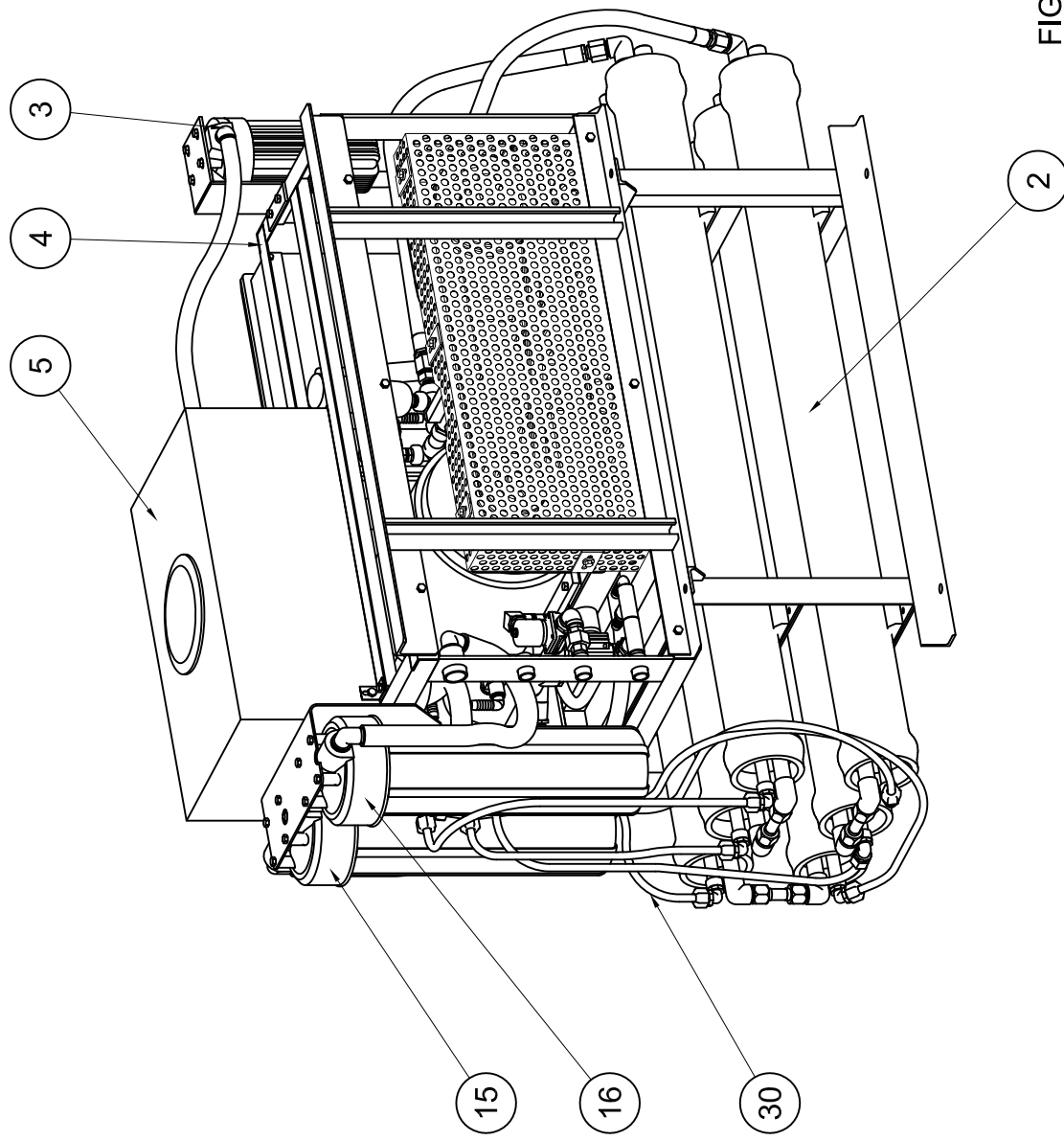
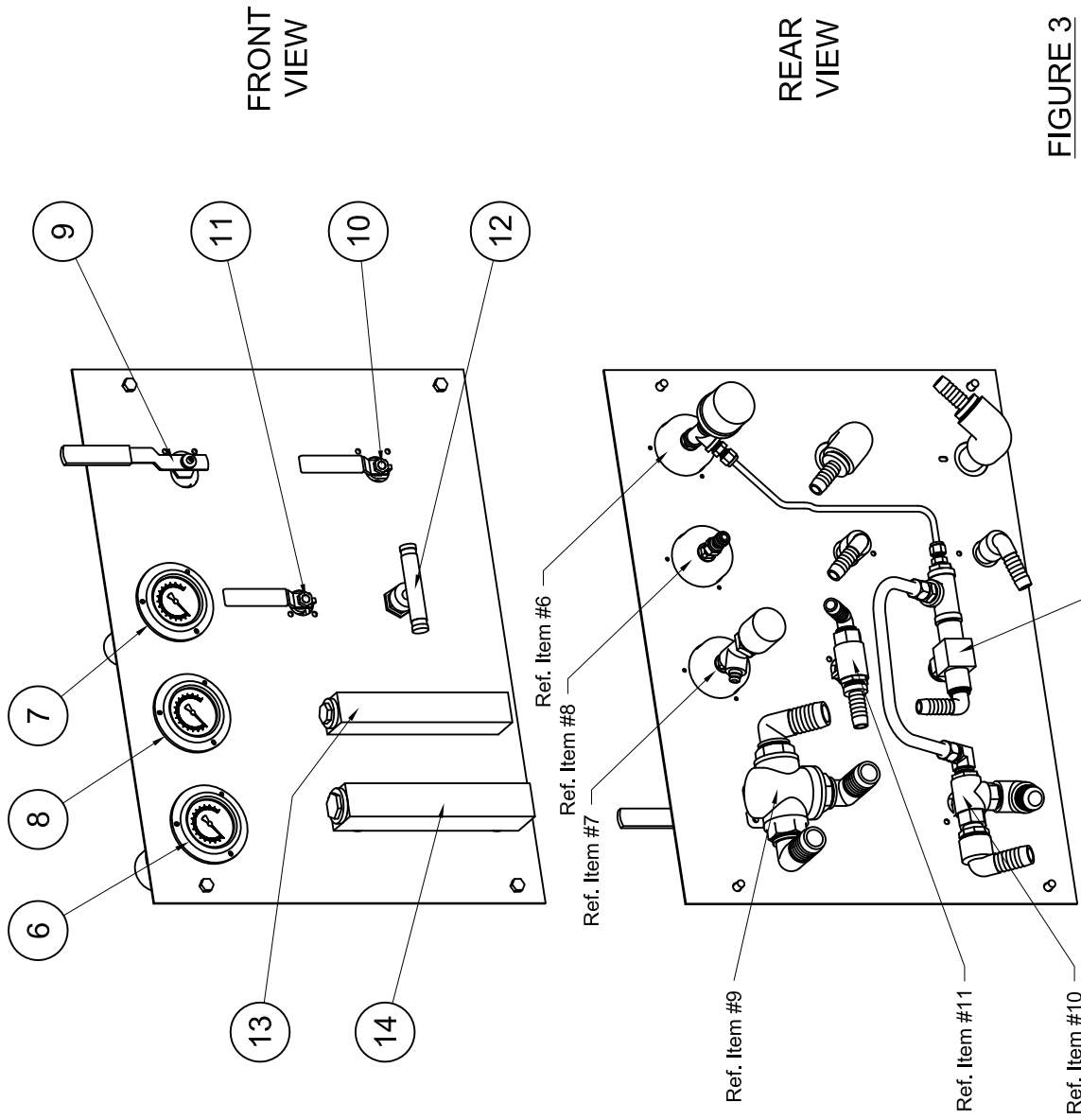


FIGURE 2

Sea Water Desalinator
Rear Iso View
AQUA-SEP S2, 20

ITEM COMPONENT NAME

- 6. Operating Pressure Gauge Assembly ASOG120705
- 7. Feed Pressure Gauge Assembly ASFG120705
- 8. Inlet Pressure Gauge Assembly ASIG120705
- 9. Operate / Clean Inlet Valve Assembly ASIV120705
- 10. Operate / Clean Outlet Valve Assembly ASOV120705
- 11. Cleaning Tank Drain Valve Assembly ASDV120705
- 12. Pressure Control Valve Assembly ASCV120705
- 13. Flowmeter - Product Water FMTR50500
- 14. Flowmeter - Reject Water FMTR50750



NOTE:

For Connections Details & Tubing callouts
Refer to Drawing 120708-MSC

FIGURE 3

Sea Water Desalinator
Instrument Panel Views
AQUA-SEP S2. 07-20

ITEM COMPONENT NAME

- 3. Cleaning Solution Filter Housing
FCHQ7010
- 5. Cleaning Solution Tank Assembly
ASCT120110
- OUTLET ASSY:
PNTX1600
PTTX1600
PBTX1608
PAHX1600
PAHX0800
- INTERNAL ASSY:
PNTX1200
PETX1200
PNTX1216
- A. Cleaning Filter Element
FCAE3010
- B. Cleaning Tank (Tank Only)
ASCT100175

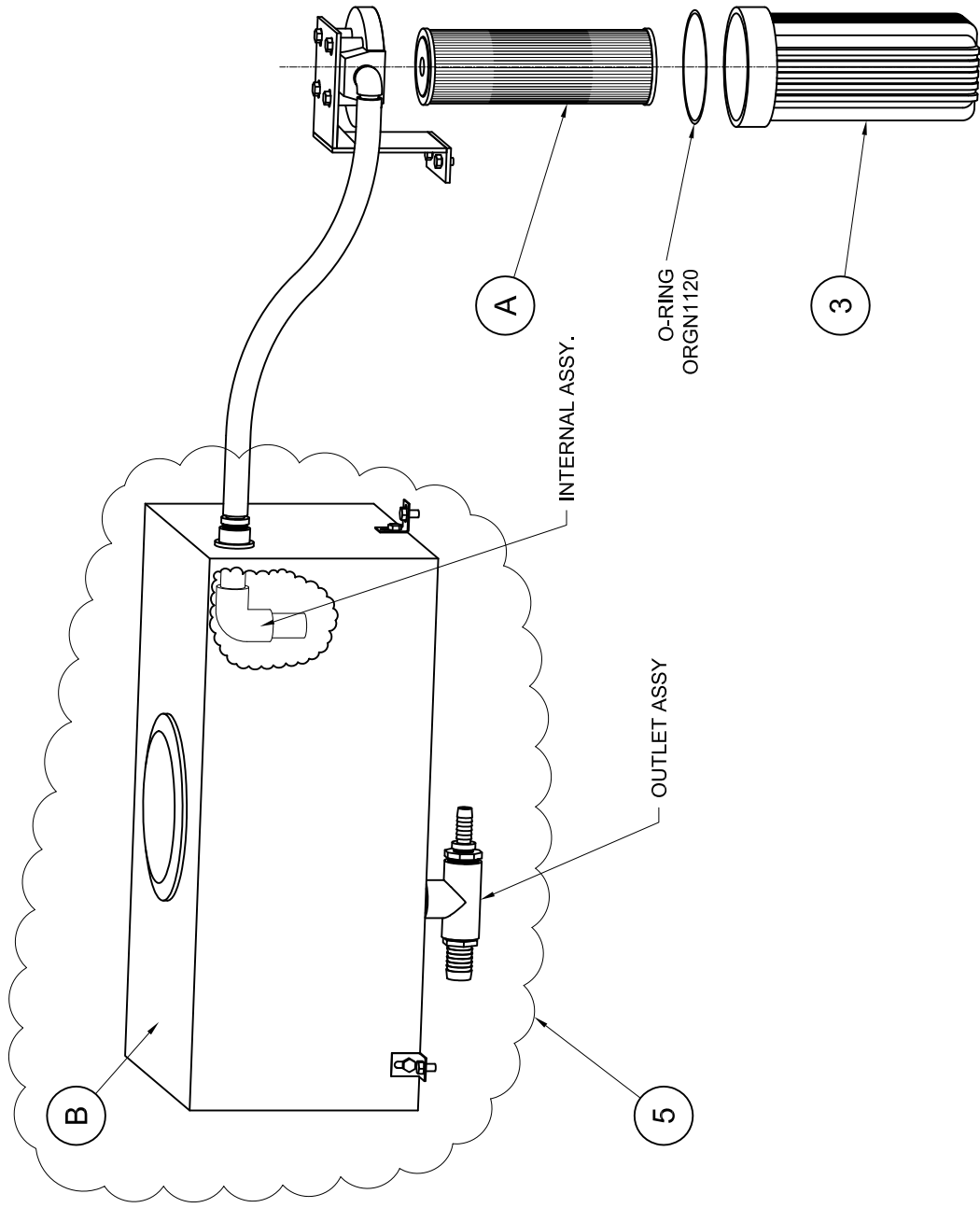
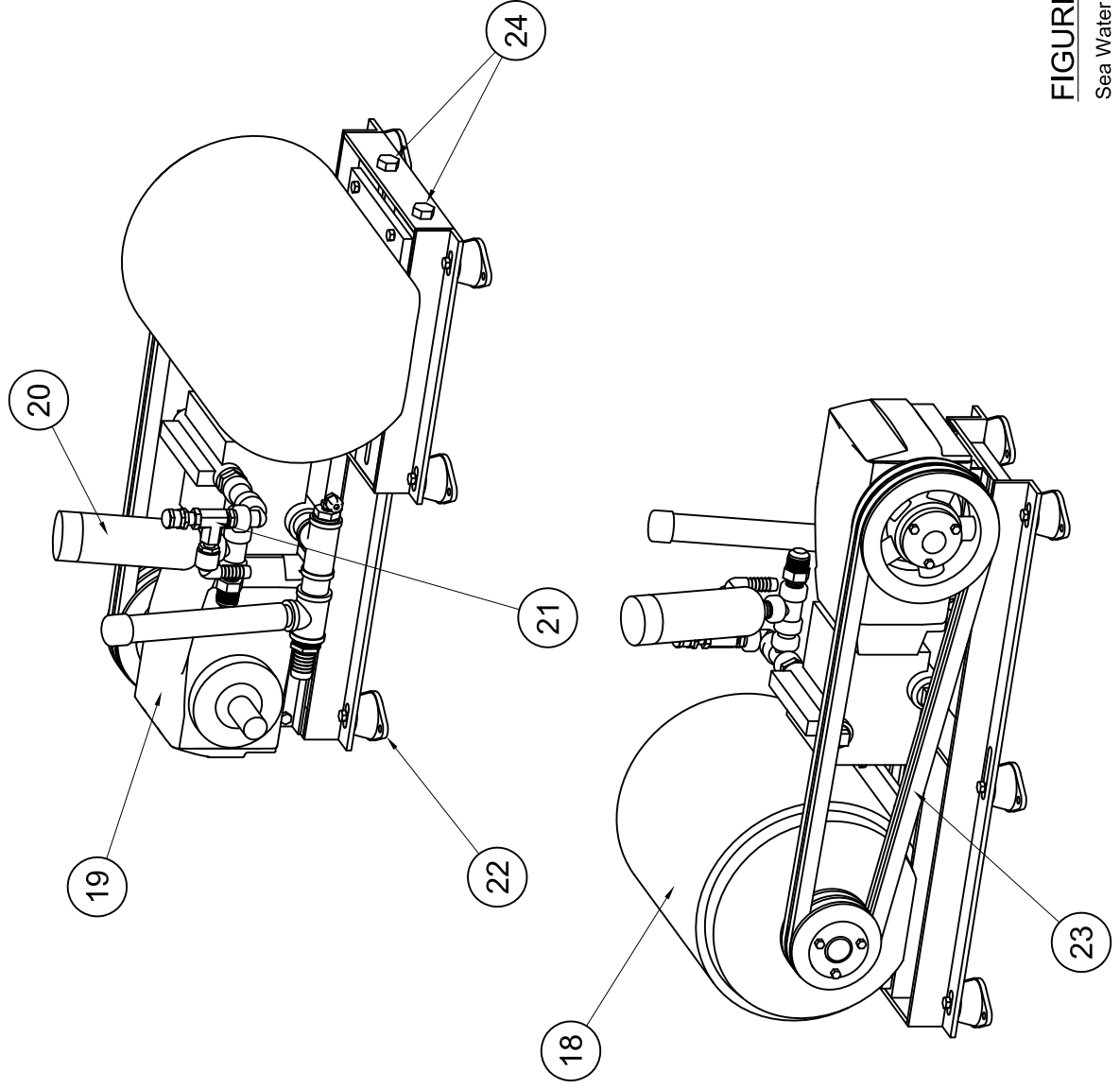


FIGURE 4

Sea Water Desalinator
Cleaning Tank
AQUA-SEP S2, 07-20

ITEM COMPONENT NAME

- 17. Booster Pump / Motor Assembly
(Complete as Shown)
380-415 / 50Hz: ASBP122004-50
440-480 / 60Hz: ASBP122004-60
- 18. Electric Motor, 7.5 H.P.
MTRL13075
- 19. Booster Pump, Plunger
PUCS1531
- 20. Pulsation Dampener, 600 PSI
PPDS0815
- 21. Pressure Relief Valve
Valve Body: VRHS0400
Valve Spring: ASPS0001
- 22. Motor Mounts
VBIR0507
- 23. Drive Belt
DBBX56 (2x)
- 24. Motor Tensioning System
Bolts: ASTB120769 (2x)
Securing Bar: ASSR120769
Motor Bar: ASTR120769



NOTE:

Detail exploded views on next sheet

FIGURE 5

Sea Water Desalinator
High Pressure Pump
AQUA-SEP S2.20

ITEM COMPONENT NAME

- 19. Booster Pump, PUCS1531
- 20. Pulsation Dampener, 600 PSI
PPDS0815
- 21. Pressure Relief Valve
Valve Body: VRHS0400
Valve Spring: ASPS0001
- C. PNXS0800 (3x)
- D. PTXS0800 (2x)
- E. PEXS0800
- F. PBTS0804 (2x)
- G. PNTS0400
- H. PEGX0800
- I. FCMS120837
- J. PNTS1610 (2x)
- K. PTTS1600 (2x)
- L. PAHX1600
- M. FTEM0400
- N. PBTS1604
- O. PNTS1200
- P. PPPX1600
- Q. PQSX1600
- R. PPTS1200
- S. PPTS1600
- T. PBTS1208

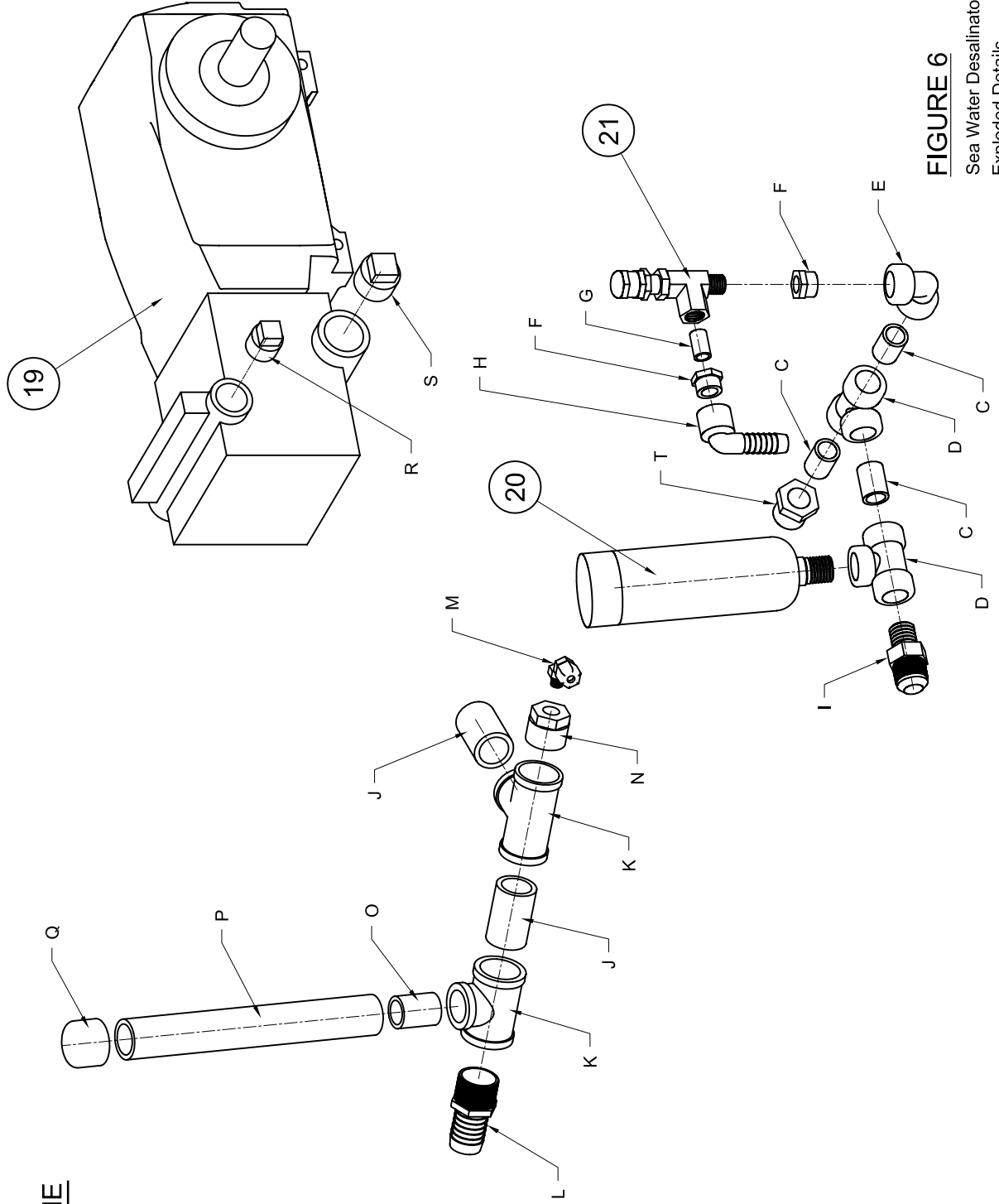


FIGURE 6

Sea Water Desalinator
Exploded Details
AQUA-SEP S2, 20

ITEM COMPONENT NAME

- 15. Cartridge Filter Housing: FCHQ1520
Filter (5 Micron): FCCH0520
O-RING: ORGN1122
- 16. Cartridge Filter Housing: FCHQ1520
Filter (20 Micron): FCCH2020
O-RING: ORGN1122
- 25. Product Valve Assembly
120 VAC: ASPV120705-120
220 VAC: ASPV120705-220
- 26. Solenoid Valve, 2-Way 1/2"
(Included in Product Valve Assembly)
120 VAC: VSDB0840
220 VAC: VSDB0850
- 27. TDS Probe
(Included in Product Valve Assembly)
MPCS1000
- 28. Drain Manifold
ASDM120705
- U. PETS0800
- V. PUTS0800
- W. PNTS0800 (6x)
- X. PAHX0812
- Y. PTTX1200
- Z. PBTX1208
- AA. PTTS1200
- BB. FTEM0608

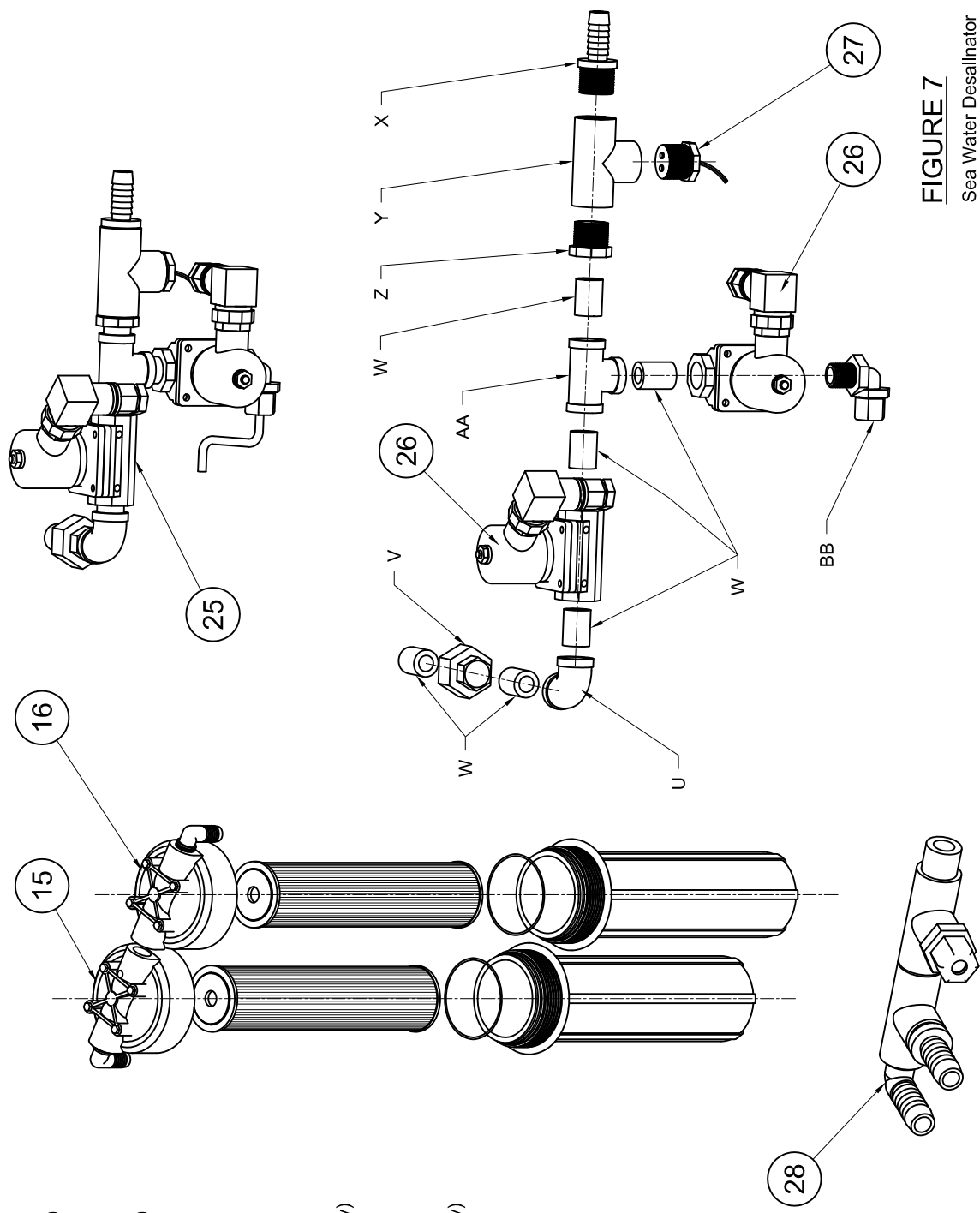
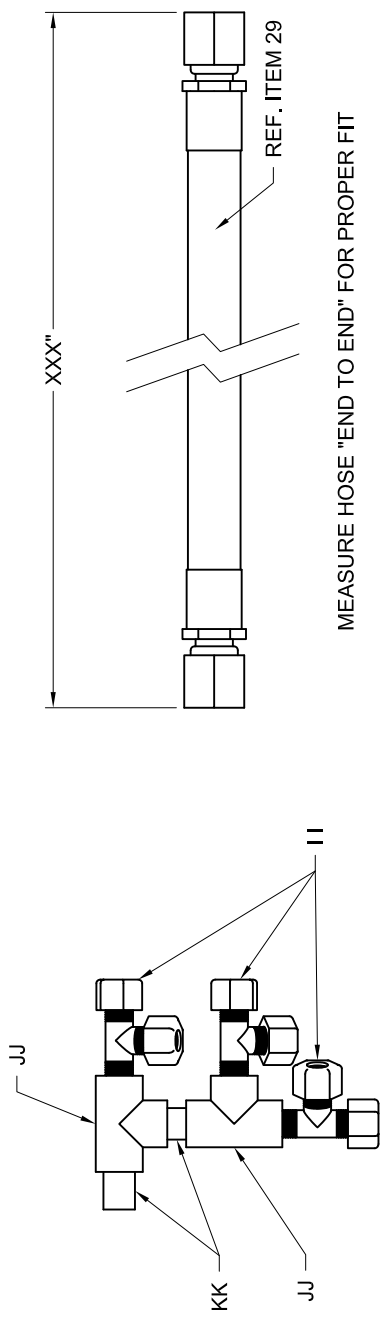


FIGURE 7

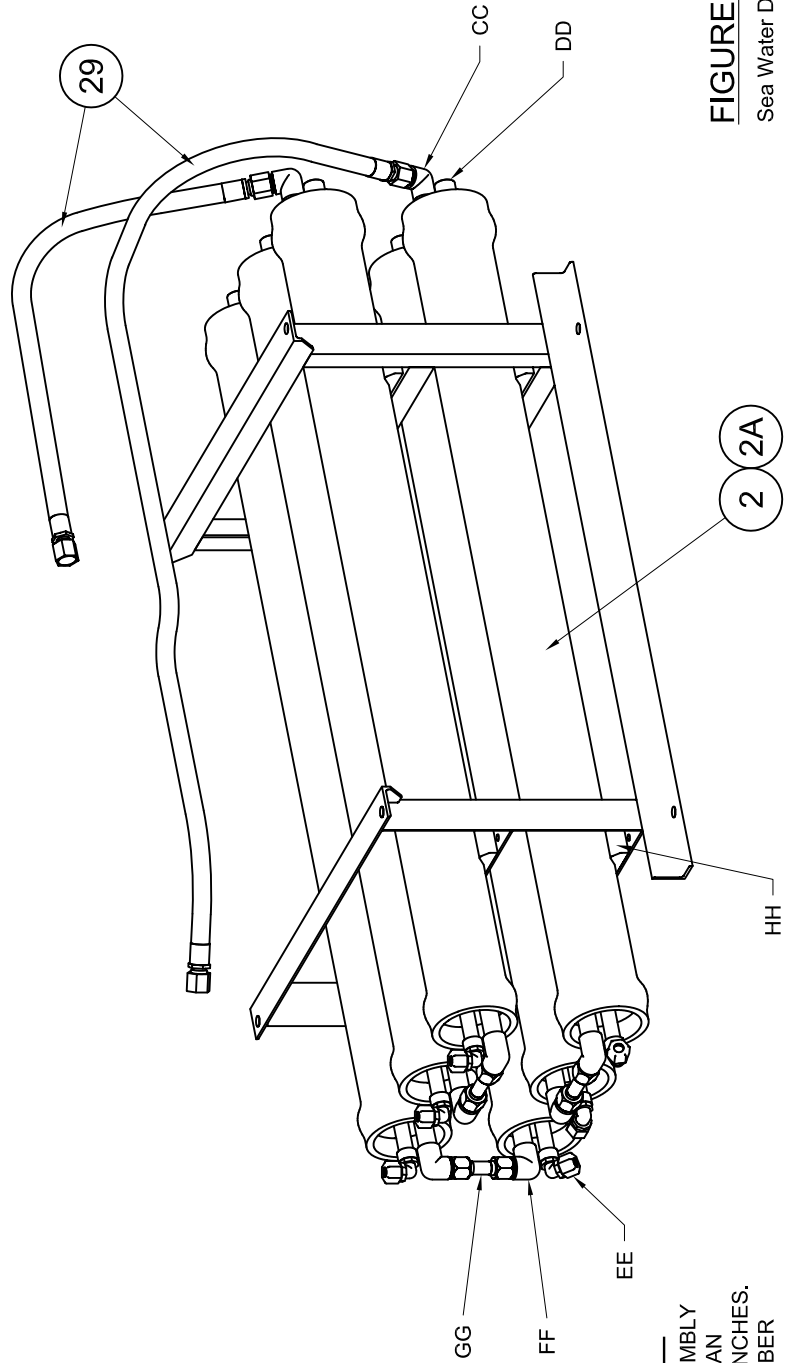
Sea Water Desalinator
Filter / Manifolds
AQUA-SEP S2, 14-20

ITEM COMPONENT NAME

- 2. Membrane Housings
MHSA1440
- 2A. Membrane Element
MSHH0441-H
- 29. High Pressure Hose Assemblies
ASHA1 ____
(See Note Below)
- CC. FEFS1237 (2x)
- DD. PQT0800 (6x)
- EE. FTEF0800 (6x)
- FF. CEFS1200 (10x)
- GG. TUSS1200
- HH. MSDA0400 (12x)
- II. FTTR0800 (3x)
- JJ. PTTX0800 (2x)
- KK. PNTX0800 (2x)



MEASURE HOSE "END TO END" FOR PROPER FIT

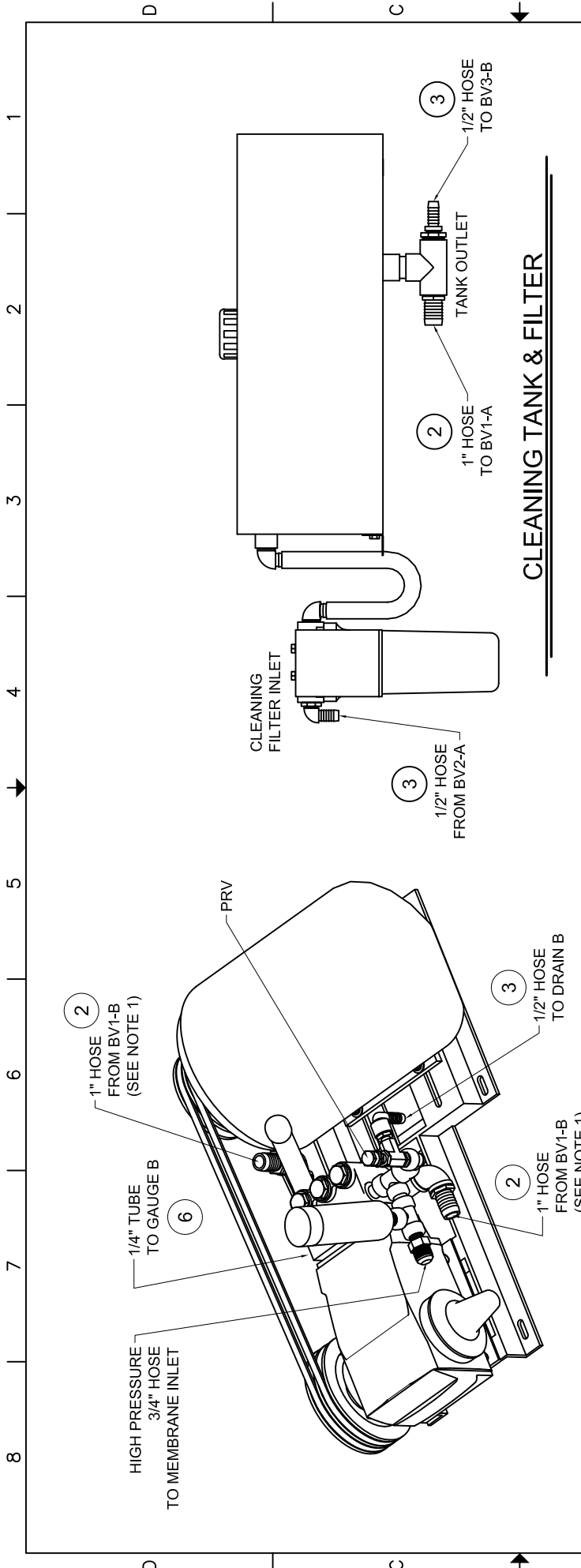


NOTE

THE HIGH PRESSURE HOSE ASSEMBLY IS MADE TO FIT. PLEASE INCLUDE AN "END TO END" MEASUREMENT IN INCHES. REPLACE THE "_____" IN PART NUMBER WITH THE LENGTH.

FIGURE 8

Sea Water Desalinator
Membrane Rack
AQUA-SEP S2. 20



PUMP / MOTOR ASSEMBLY

NOTE

1. ITEM 7, HOSE TEE IS USED TO SPLIT THE FEED FROM BV1-B INTO TWO LINES TO FEED BOTH OF THE PUMP INLETS.

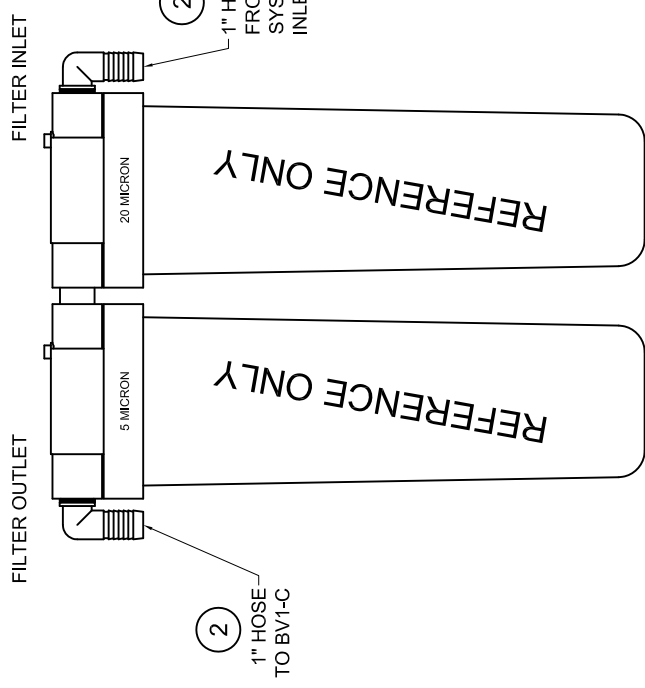
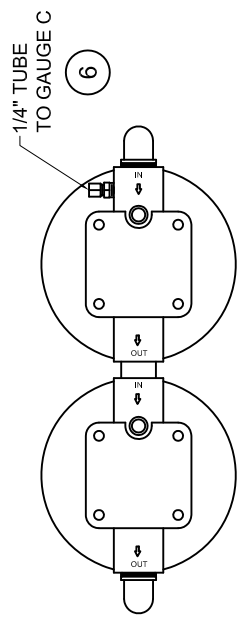
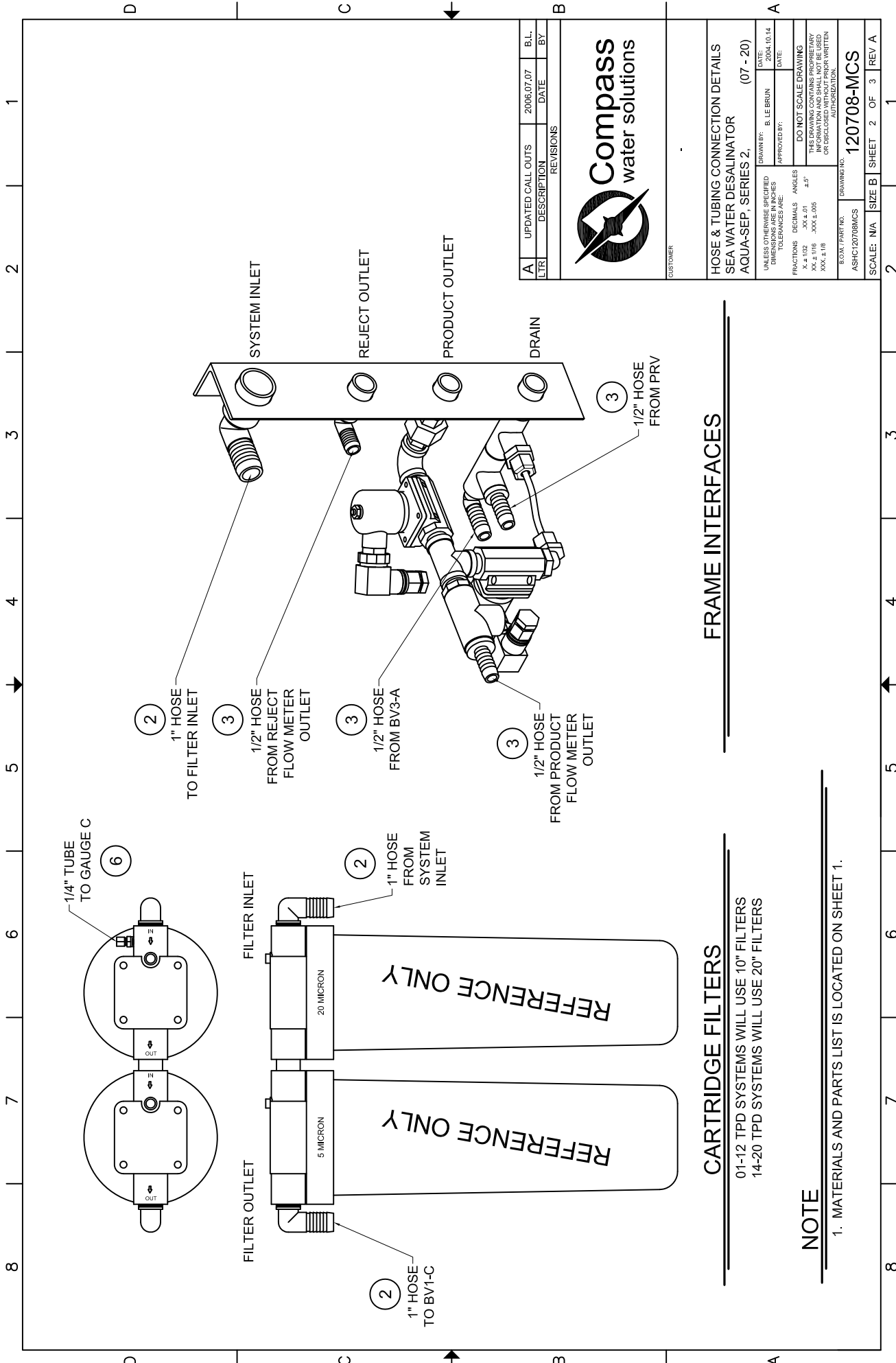
A		UPDATED CALL OUTS	2006.07.07	B.L.
LTR	DESCRIPTION	DATE	BY	
B		REVISIONS		

Compass water solutions

CUSTOMER

HOSE & TUBING CONNECTION DETAILS	
SEA WATER DESALINATOR	
AQUA-SEP, SERIES 2,	(07 - 30)
DRAWN BY:	B. LE BRUN
DATE:	2004.10.14
APPROVED BY:	
DATE:	
UNLESS SPECIFIED OTHERWISE DIMENSIONS ARE IN INCHES	
TOLERANCES ARE:	
FRACTIONS	DECIMALS
X ± 1/32	.XX ± 0.01
XX ± 1/16	.XX ± 0.005
XXX ± 1/8	.XXX ± 0.005
ANGLES	± 5°
DO NOT SCALE DRAWING	
THIS DRAWING CONTAINS PROPRIETARY OR DISCLOSED WITHOUT PRIOR WRITTEN AUTHORIZATION.	
BOAT / PART NO.	DRAWING NO.
ASHCI20708MCS	120708-MCS
SCALE: NA	SIZE B
SHEET 1	OF 3
REV A	

9	8'	HSHR1200	HOSE, HYDRAULIC RUBBER 3/4"	S.S.
8	4	HCCS1237	HOSE CONNECTOR, SWIVEL 3/4"-37	P.V.C.
7	1	PTHX1600	PIPE TEE, 1" HOSE	SCH80
6	4'	TUPE0400	TUBING, 1/4" BLACK POLYETHYLENE	S.S.
5	18"	TUSS0400	TUBING, 1/4"X.035 WALL 316SS	S.S.
4	13"	TUSS0600	TUBING, 1/2"OD SEAMLESS SS	S.S.
3	22'	TUVB1000	TUBING, 5/8"ID VINYL BRAID	
2	16'	TUVB1600	TUBING, 1"ID VINYL BRAID	
1	5'	TUVC0608	TUBING, 3/8"IDX1/2"OD CLR/VINYL	
ITEM NO.	QTY.	PART OR IDENTIFYING NO.	NOMENCLATURE OR DESCRIPTION	STANDARDS SPECIFICATIONS
MATERIAL AND PARTS LIST				



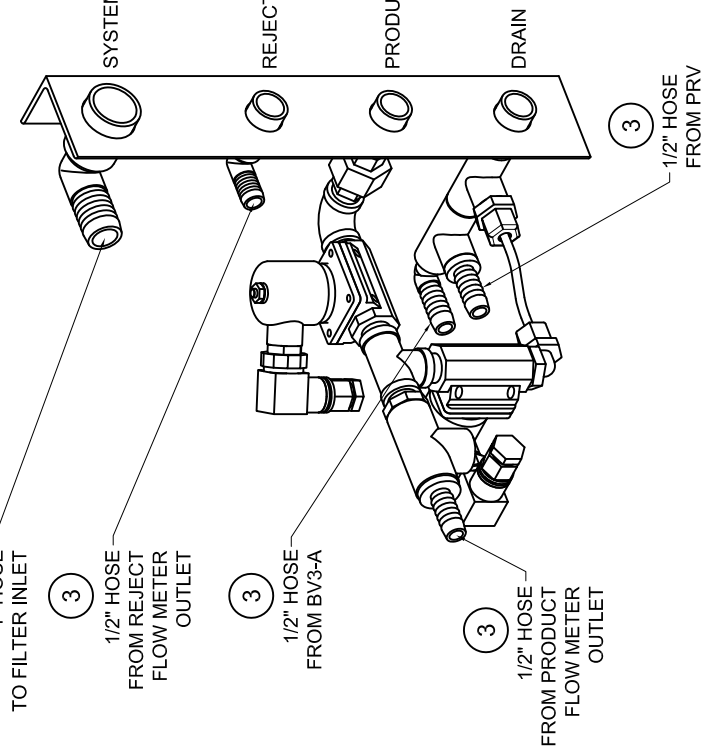
CARTRIDGE FILTERS

01-12 TPD SYSTEMS WILL USE 10" FILTERS
 14-20 TPD SYSTEMS WILL USE 20" FILTERS

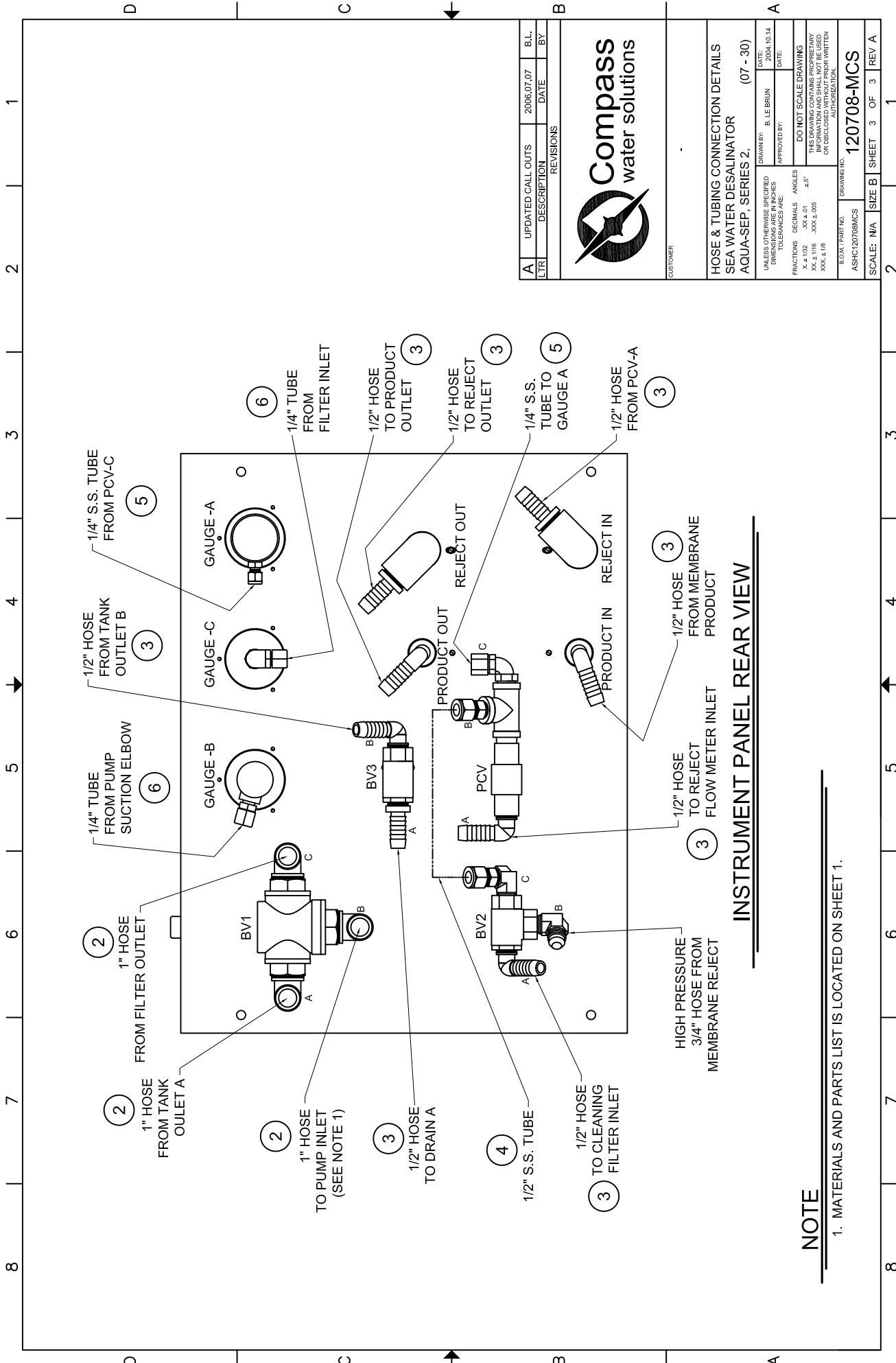
NOTE

1. MATERIALS AND PARTS LIST IS LOCATED ON SHEET 1.

FRAME INTERFACES



A		UPDATED CALL OUTS	2006.07.07	B.L.
LTR	DESCRIPTION	DATE	BY	
A		REVISIONS		
CUSTOMER				
HOSE & TUBING CONNECTION DETAILS				
SEA WATER DESALINATOR				
AQUA-SEP, SERIES 2, (07 - 20)				
DRAWN BY:		B. LE BRUN	DATE:	2004.10.14
APPROVED BY:			DATE:	
UNLESS SPECIFIED OTHERWISE DIMENSIONS ARE IN INCHES				
TOLERANCES ARE:				
FRACTIONS	DECIMALS	ANGLES		
X ± 1/32	.XX ± 0.01	± 5°		
XX ± 1/16	.XX ± 0.005			
XXX ± 1/8				
BOOM PART NO.		DRAWING NO.		
ASHC120708MCS		120708-MCS		
SCALE: 1/4"	SIZE B	SHEET 2	OF 3	REV A



INSTRUMENT PANEL REAR VIEW

NOTE

1. MATERIALS AND PARTS LIST IS LOCATED ON SHEET 1.



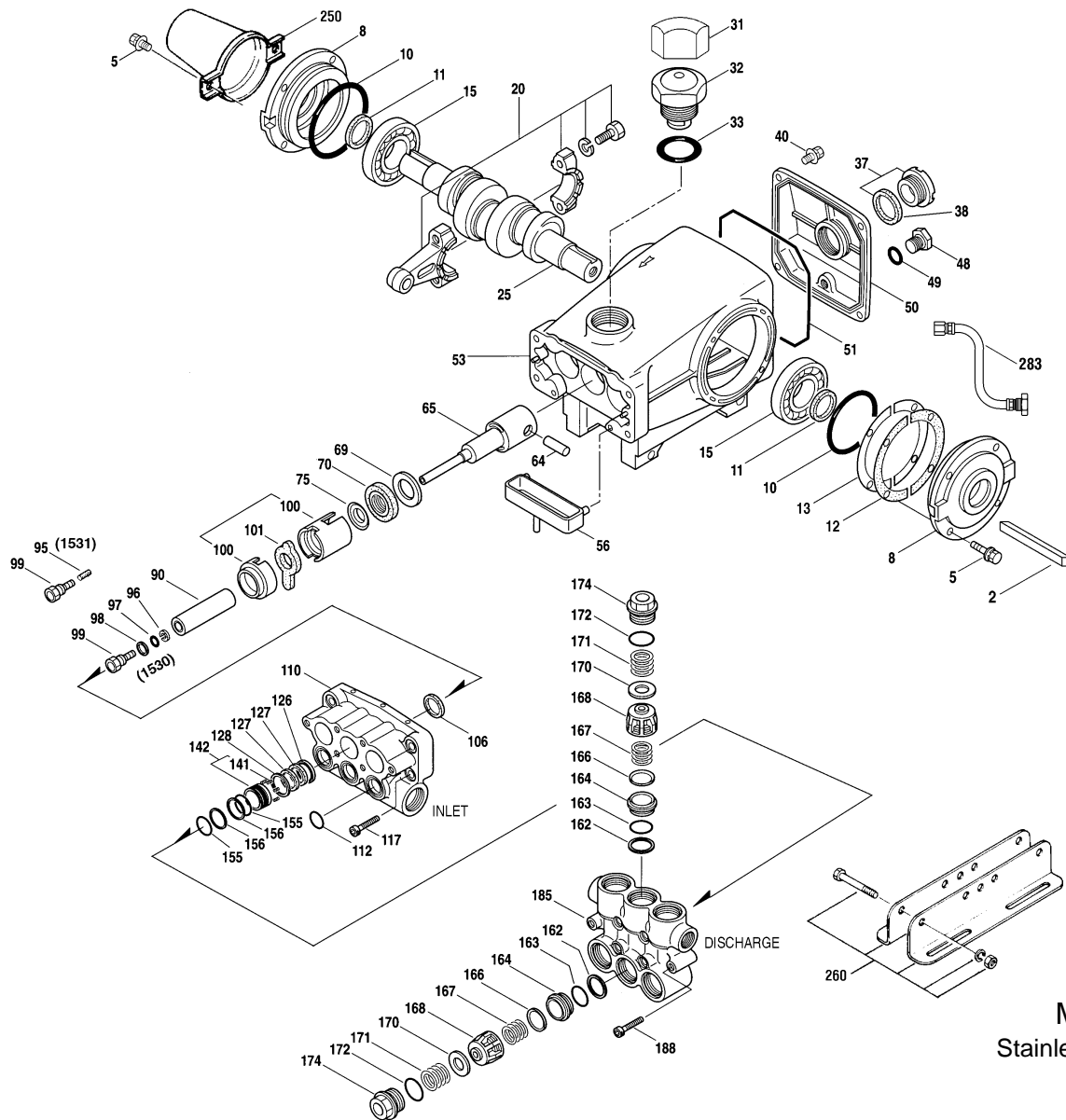
A		B.L.	
LTR	DESCRIPTION	DATE	BY
	UPDATED CALL OUTS	2006.07.07	
	REVISIONS		

CUSTOMER
 HOSE & TUBING CONNECTION DETAILS
 SEA WATER DESALINATOR
 AQUA-SEP, SERIES 2, (07 - 30)

UNLESS SPECIFIED OTHERWISE DIMENSIONS ARE IN INCHES		DRAWN BY: B. LE BRUN		DATE: 2004.10.14	
FRACTIONS	DECIMALS	ANGLES	APPROVED BY:	DATE:	
X ± 1/32	.XX ± 0.1	± 5°			
XX ± 1/16	.XX ± 0.05				
XXX ± 1/8					
BOAT / PART NO. ASHC120708MCS		DRAWING NO. 120708-MCS		SCALE: 1/4" = 1"	
SHEET 3		OF 3		REV A	

BOOSTER PUMP PARTS LIST

ITEM	PART NUMBER	DESCRIPTION	QTY
	1531		
2	---	Key (M8x7x40)	1
	KEYB1057	Key (M8x7.5x25)	1
5	---	Screw, Sems HHC (M6x16)	8
	---	Screw, Sems HHC (M6x16)	8
8	PCBC43496	Cover, Bearing	2
10	PCBC11340	O-Ring, Bearing Cover - 70D	2
11	PCOS43495	Seal, Oil, Crankshaft - 70D	2
12	PCSB815281	Shim, Split 2 pc	0-6
13	PCBS814800	Shim, Split 2 pc	0-4
15	PCBR39060	Bearing, Roller	2
20	PCCR43497	Rod, Connecting Assembly	3
25	PCCK43494	Crankshaft, Dual-End	1
31	PCCP82871	Protector, Oil Cap w/Foam Gasket	1
32	PCOC43211	Cap, Oil Filler	1
33	PCOR14177	O-Ring, Filler Cap - 70D	1
37	PCBG92241	Gauge, Oil, Bubble w/Gasket - 80D	1
38	PCGK44428	Gasket, Flat, Oil Gauge - 80D	1
40	---	Screw, Sems HHC (M6x20)	4
	---	Screw, Sems HHC (M6x20)	4
48	PCDP25625	Plug, Drain (1/4"x19BSP)	1
49	PCOR23170	O-Ring, Drain Plug - 70D	1
50	PCCC43491	Cover, Rear	1
51	PCOR43492	O-Ring, Rear Cover - 70D	1
53	---	Crankcase w/Guide Pins	1
56	PCOP44664	Pan, Oil	1
64	PCPR43507	Pin, Crosshead	3
65	PCRP48360	Rod, Plunger	3
69	PCOS126592	Washer, Oil Seal	3
70	PCOS43500	Seal, Oil Crankcase - 80D	3
75	PCBS43506	Slinger, Barrier	3
90	PCPL48606	Plunger, Ceramic (M25x92)	3
96	PCBUR43235	Back-up-Ring, Plunger Retainer	3
95	PCRS89651	Stud, Plunger Retainer (M6x70)	1
97	PCOR17399	O-Ring, Plunger Retainer - 80D	3
	PCOR14160	O-Ring, Plunger Retainer - 70D	3
	PCOR46204	O-Ring, Plunger Retainer - 70D	3
98	PCGK44041	Gasket, Plunger Retainer	3
99	PCPR44031	Retainer, Plunger	3
100	PCRS899509	Retainer, Seal 2-Pc [07/06]	3
101	PCWK48716	Wick, Long Tab	3
106	---	Seal, LPS w/SS-Spg	3
	---	Seal, LPS w/SSpg	3
	---	EPDM Seal, LPS w/SS-Spg	3
110	---	Manifold, Inlet	1
112	---	O-Ring, Inlet Manifold - 70D	3
	---	FPM O-Ring, Inlet Manifold	3
	---	EPDM O-Ring, Inlet Manifold	3
117	---	Screw, HSH (M10x55)	4
	---	Screw, HSH (M10x55)	4
126	PCAF48669	Adapter, Female	3
127	---	V-Packing	6
128	PCAM113025	Adapter, Male	3
141	PCSC48672	Spring, Coil [12/02]	18
142	PCSS48670	Spacer w/Coil Springs	3
155	---	O-Ring, Spacer - 80D	6
	---	O-Ring, Spacer	6
	---	O-Ring, Spacer	6
156	---	Back-up-Ring, Spacer	6
162	PCFA48363	Back-up-Ring, Seat	6
163	---	O-Ring, Seat - 80D	6
	---	O-Ring, Seat	6
	---	EPDM O-Ring, Seat	6
164	---	Seat, Q.V. Stepped	6
166	---	Valve, Q.V.	6
167	---	Spring, Valve [12/02]	6
168	---	Retainer, Spring	6
170	---	Washer, Spring Retainer	6
171	PCSC48689	Spring, Coil [12/02]	6
172	---	O-Ring, Valve Plug - 80D	6
	---	O-Ring, Valve Plug	6
	---	O-Ring, Valve Plug	6
174	PCVP49294	Plug, Valve	6
185	---	Manifold, Discharge	1
188	---	Screw, HSH (M12x70)	6



Model
Stainless Steel - 1531

1531			
250	PPCY30764	Protector, Shaft w/2 Screws	1
260	---	Rail, Angle Assy	1
269	PCPU30206	Pulley (10") [See Drive Packages, Tech Bulletin 003]	1
270	---	Hub, "H", M30 (Keyway M8) [See Drive Packages, Tech Bulletin 003]	1
---	---	Hub, "B", M30 (Keyway M8) [See Drive Packages, Tech Bulletin 003]	1
283	---	Kit, Oil Drain	1
290	PCLG6124	Liquid Gasket, Hylomar (3 oz.)	1
299	PHCS1531	Head, Complete	1
300	PCSK1355	Kit, Seal (Incls: 97,106,112,127,155,156)	1
310	PCVK1271	Kit, Valve (Incls: 162,163,164,166,167,168,170,172)	2
---	PPCO6100	Oil, Case (12 Bottles) ISO 68 Multi-viscosity Hydraulic (Fill to specified crankcase capacity prior to start-up)	1
---	PCAL6119	Lubricant, Antiseize (1 oz.)	1

PART NUMBERS SHOWN ARE FOR THE MOST COMMON REPLACEMENT PARTS

If ordering a part that does not have a number,
please use the item number and specify the pump model.