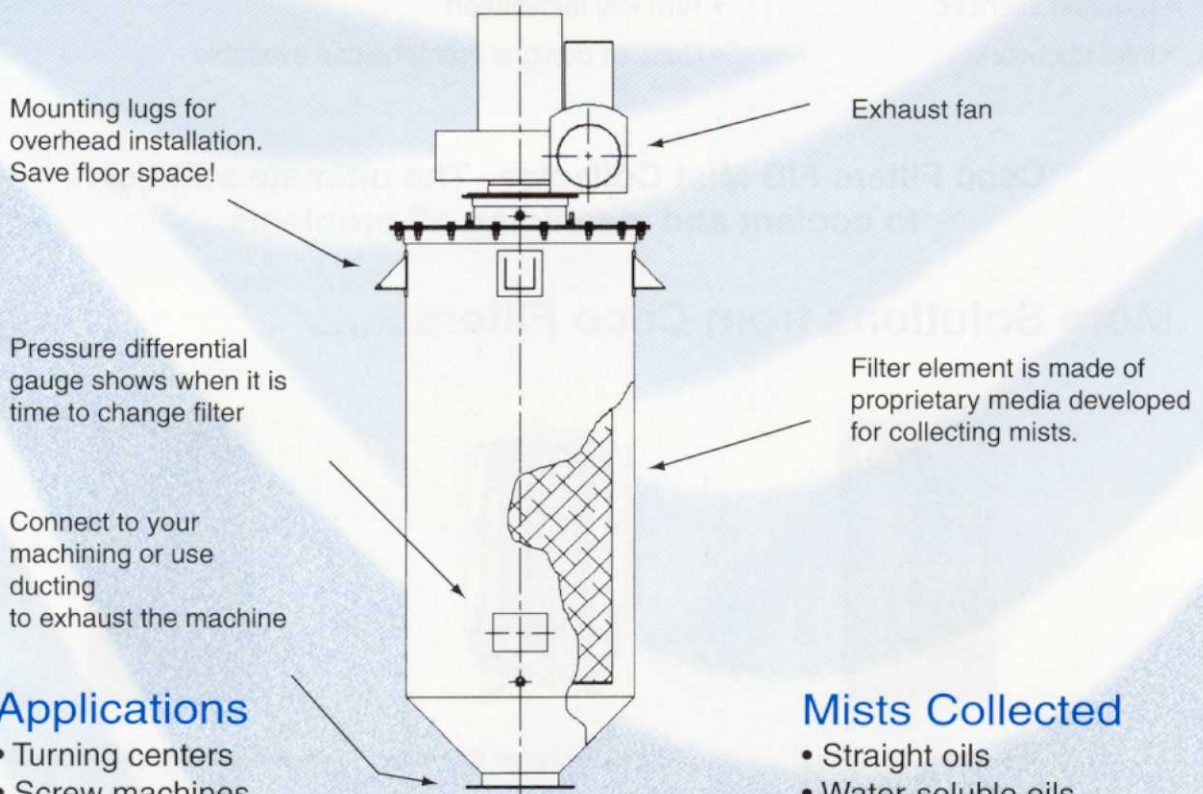


FILTER-IN-DUCT (FID) MIST COLLECTOR

CECO Filters mist collectors provide the solution to one of the biggest problems facing wet machining: Collection of metalworking fluid mists. Uncollected oil and coolant mists can be hazardous to the health of workers. These hazards include inhaling aerosol mists, skin contact, slippery floors – all creating an unsafe, unpleasant, high-maintenance working environment. The FID Mist Collector is the solution to these problems.

- Long filter life - Up to 10 years !
- May be used on individual machines
- Exhaust ductwork from multiple machines can go to single FID Mist Collector
- Cleaned air can go back into plant
- Low maintenance requirements
- Low operational costs
- Efficiencies approaching 100% for particles >3 micron
- Efficiencies of 99.5% or higher for particles <3 micron

FID Mist Collector Features



Applications

- Turning centers
- Screw machines
- Wet Grinding
- Lathes
- Cold Heading

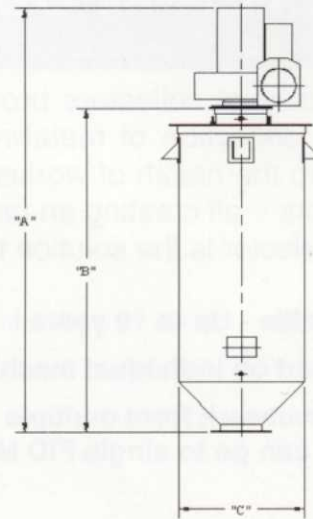
Mists Collected

- Straight oils
- Water-soluble oils
- Semi-synthetic coolants
- Synthetic oil coolants

FID Mist Collector Specifications

Model Number	Flow Rate ACFM	Height (w/fan) (A)	Height (w/o fan) (B)	Diameter (C)
FID-30A	300	62-9/16	44	20
FID-50A	500	77-7/16	58	20
FID-50B	500	71-7/16	52	30
FID-75B	750	84-7/16	65	30
FID-100B	1000	102-7/16	78	30
FID150B	1500	128-7/16	104	30

Note: All dimensions in inches



Options

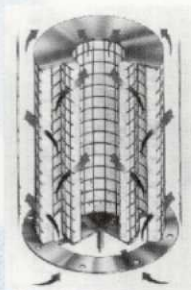
- Support legs
- Exhaust silencer
- Inlet ductwork
- Motor starter & controls
- Turn key installation
- Custom designs / dimensions available

Ceco Filters FID Mist Collector - The ultimate solution to coolant and machining oil problems.

More Solutions from Ceco Filters.....



- Acid Gas Scrubbing
- Particulate Control



- Increased Filter Capacity
- Reduced Pressure Drop



- Acid and Caustic Mist Control
- Product Recovery